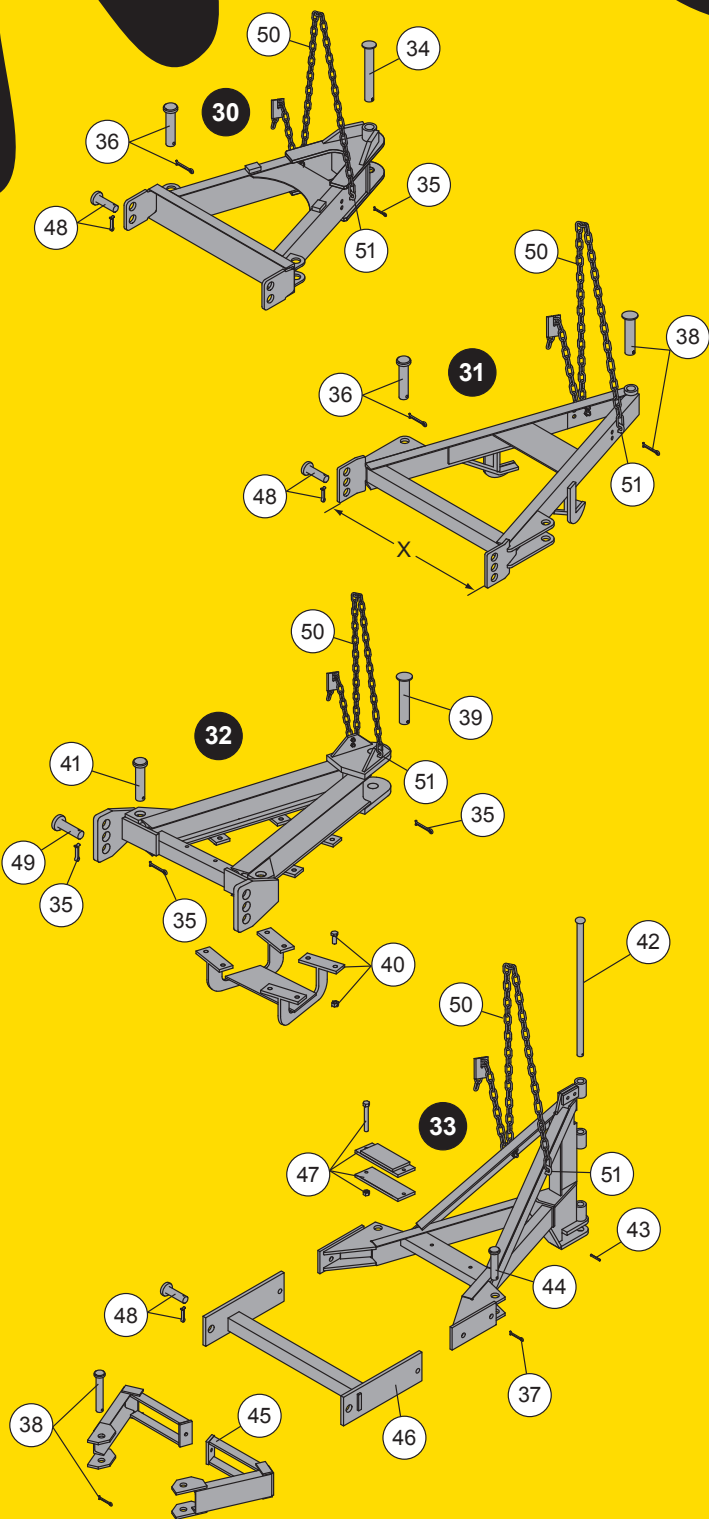


\*\* RD headgear shown. LD, HD, MC and EZ-V® parts may look different. \*\*

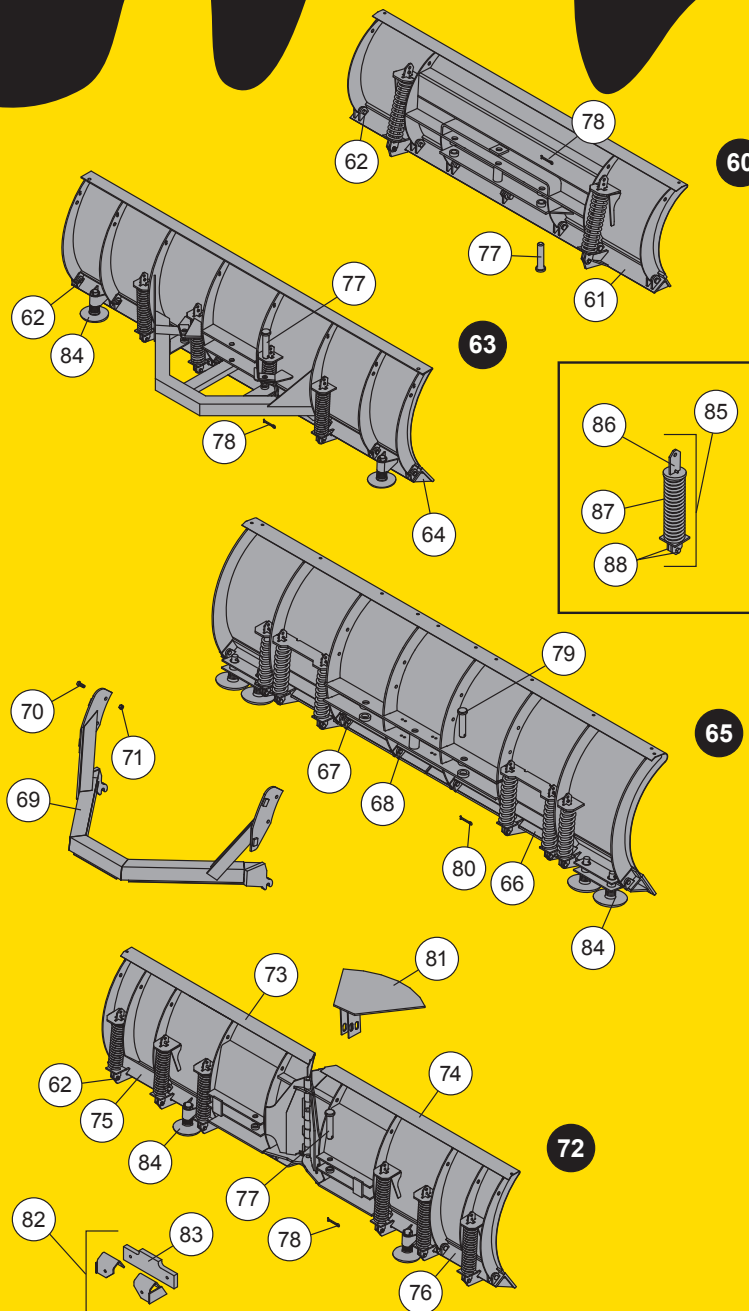
### HEADGEAR

Item	Part	Description	Item	Part	Description
1	21920	Lift Arm	7	8184	Jack Leg (6'-9" & 7-1/2" LD)
2	22341	Headgear (6'-9" LD)	20490	Jack Leg (RD/HD)	
	22090	Headgear (7-1/2" LD)	20491	Jack Leg (HD, MC, EZ-V)	
	8580	Headgear (RD/HD)	8	21764K	Jack Handle Kit
	8480	Headgear (HD)	9	8180	Jack Lever (6'-9" & 7-1/2" LD)
	20758	Headgear (MC)	8499K	Jack Lever (RD/HD, HD, MC, EZ-V)	
		Headgear (EZ-V®)	10	7794	1/2 OD x 2 Compression Spring
3	8514	Headgear Brace (RD/HD, HD, MC, EZ-V)	11	90658	5/32 x 1-1/4 Cotter Pin
4		Lower Gear (6'-9" LD)	12	20185	Torsion Spring Kit
	8561	Lower Gear (7-1/2" LD, RD/HD)	13	6920K	Connecting Pin Kit
	8533	Lower Gear (HD, EZ-V)	14	6815	Connecting Pin w/Handle
	20759	Lower Gear (MC)	15	821	1 ID x 3-1/2 Compression Spring
	8202	Release Rod (6'-9" & 7-1/2" LD)	16	8498	Bolting Bar (7-1/2" LD, RD/HD, HD, MC, EZ-V)
	8551	Release Rod (RD/HD, HD, MC, EZ-V)	17	8741	Cable Boot Bracket
6	8183	Jack Support (6'-9" & 7-1/2" LD)	18	8284K	Cable Boot
	20487	Jack Support (RD/HD)	19	4289K	3/4 x 1-7/8 Machine Pin w/Cotter Pin
	20488	Jack Support (HD, MC, EZ-V)	20	7904K	Clevis Pin w/Cotter Pin



### A-FRAMES

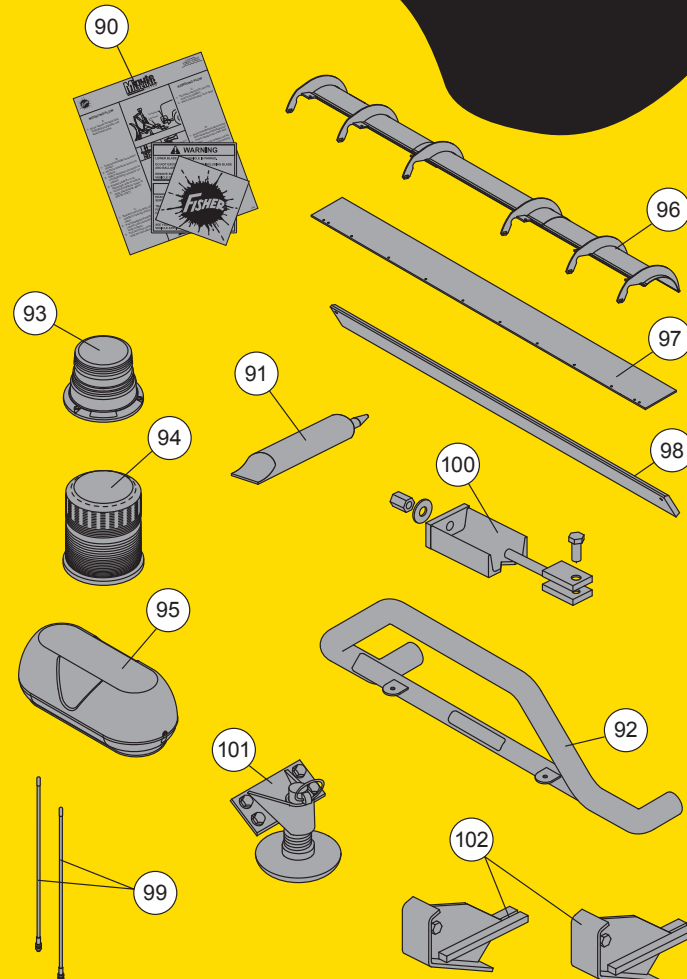
Item	Part	Description	Item	Part	Description		
30	22169	A-Frame w/Hardware (LD 19-1/4")	41	20790	Commercial Ram Pin		
	22175	A-Frame w/Hardware (LD 22-1/2")	42	20988	V-Plow Pivot Pin		
31	8562	A-Frame w/Hardware (RD - X = 22-1/2")	43	26463	1/4 x 2 Slotted Spring Pin		
	22168	A-Frame w/Hardware (HD - X = 22-1/2")	44	22260	1 x 4-3/4 Clevis Pin		
	8627	A-Frame w/Hardware (HD - X = 25-1/8")	45	26583	Blade Stop		
32	20703-1	A-Frame Kit w/Hardware and Angle Frame Guide (MC)	46	21484-1	Push Assembly		
	33	21874-3 A-Frame (EZ-V®)	47	22161	A-Frame Stop Kit		
	34	22259	1 x 8-3/4 Pivotal Pin	48	7904K	Clevis Pin w/Cotter Pin	
	35	90013	1/4 x 2 Cotter Pin	49	5150	1-1/4 x 4-7/8 Anchor Pin	
	36	7903K	Anchor Pin w/Cotter Pin	50	8229	Chain Bag (LD)	
	37	90601	1/4 x 1-1/2 Cotter Pin		8565	Chain Bag (RD)	
	38	7905K	Pivot Pin w/Cotter Pin		8555	Chain Bag (HD, EZ-V)	
	39	20789	1-1/4 x 6-3/4 Commercial Pivot Pin		51	A6184K	U-Bolt w/Hardware
	40	20775	Commercial Angle Frame Guide				



### BLADES

Item	Part	Description	Item	Part	Description
60	-	6'-9" Blade <sup>1</sup> (LD)	72	-	8-1/2' EZ-V <sup>3</sup> Blade
	-	7-1/2' Blade <sup>2</sup> (LD)	73	21569	8-1/2' Blade Half - DS (EZ-V)
61	22180	6'-9" Base Angle (LD)	26599	9-1/2' Blade Half - DS (EZ-V)	
	22181	7-1/2' Base Angle (LD)	74	21570	8-1/2' Blade Half - PS (EZ-V)
62	5523K	3/4 x 2-3/16 Machine Pin w/Cotter Pin	26600	9-1/2' Blade Half - PS (EZ-V)	
63	-	7'-L-Series Blade <sup>2</sup> (RD)	75	21564	8-1/2' Base Angle - DS (EZ-V)
	-	7-1/2' L-Series Blade <sup>2</sup> (RD)	26597	9-1/2' Base Angle - DS (EZ-V)	
	-	8'-L-Series Blade <sup>2</sup> (HD)	76	21565	8-1/2' Base Angle - PS (EZ-V)
	-	8-1/2' L-Series Blade <sup>2</sup> (HD)	26598	9-1/2' Base Angle - PS (EZ-V)	
	-	9'-L-Series Blade <sup>2</sup> (HD)	77	22260	1 x 4-3/4 Clevis Pin
64	7869	7' Base Angle (RD)	78	90601	1/4 x 1-1/2 Cotter Pin
	7667	7-1/2' Base Angle (RD)	79	20790	Commercial Ram Pin
	7668	8' Base Angle (HD)	80	90013	1/4 x 2 Cotter Pin
	26885	8-1/2' Base Angle (HD)	81	-	Center Deflector (bolted A-Frame)
	7669	9' Base Angle (HD)	21873	Center Deflector	
65	-	9' Blade <sup>2</sup> (MC)	26572	9-1/2' Rubber Deflector (EZ-V)	
	-	10' Blade <sup>2</sup> (MC)	82	26858	Center Flap Kit
	-	9' Base Angle (MC <sup>1</sup> )	83	63508	Rubber Flap
	-	9' Base Angle (MC <sup>2</sup> )	84	26523	6" Solid Cast Shoe Assembly (RD, HD, MC <sup>2</sup> , EZ-V)
	20628	10' Two-Piece Base Angle - DS (MC <sup>1</sup> )		A5517	7" Anti-Wear Shoe Assembly (MC <sup>1</sup> )
	20629	10' Two-Piece Base Angle - PS (MC <sup>1</sup> )	85	26464	Removable Spring Assembly (LD, RD, HD, 10' MC <sup>2</sup> )
	27240	10' One-Piece Base Angle (MC <sup>2</sup> )	21452	Removable Spring Assembly (9' MC, 10' MC <sup>1</sup> , EZ-V)	
67	20639K	3/4 x 2-3/16 Machine Pin w/Cotter Pin <sup>1</sup>	86	20757	Removable Spring Bar (LD, RD, HD, 10' MC <sup>2</sup> )
	7903K	Anchor Pin w/Cotter Pin <sup>2</sup>	21450	Removable Spring Bar (9' MC, 10' MC <sup>1</sup> , EZ-V)	
	5523K	3/4 x 2-3/16 Machine Pin w/Cotter Pin <sup>1</sup>	87	27406	Trip Spring (LD, RD, HD, 10' MC <sup>2</sup> )
	27241	1 x 2-3/4 Clevis Pin w/Cotter Pin <sup>2</sup>	5323	Trip Spring (9' MC, 10' MC <sup>1</sup> , EZ-V)	
69	20702	Angle Frame (MC <sup>1</sup> )	88	40905	Shoulder Bolt w/Locknut
	27237	Angle Frame (MC <sup>2</sup> )			
70	90127	5/8-11 x 1-1/2 Hex Cap Screw G5			
71	91337	5/8-11 Hex Locknut GB			

<sup>1</sup> = Distinguished by a 3/4" base angle pin and a 3/8" Top Anchor; 10' blade has a two-piece base angle  
<sup>2</sup> = Distinguished by a 1" base angle pin and a 1/2" Top Anchor; 10' blade has a one-piece base angle  
<sup>3</sup> = Complete blade no longer manufactured.  
 G = Grade



### ACCESSORIES

Item	Part	Description	Item	Part	Description
90	28549	Universal Label Replacement Kit	98	22215	6'-9" Poly Cutting Edge (LD, SD)
91	22400K	2 oz Dielectric Grease Tube	22216	7-1/2' Poly Cutting Edge (LD, SD)	
92	26239	ProTube™ Bumper/Grille Guard - Stainless	5532	7-1/2' Steel Cutting Edge (LD, SD, RD, HD)	
	26240	ProTube Bumper/Grille Guard - Black	5533	8' Steel Cutting Edge (HD)	
93	26018-1	Mini Strobe Light	26460	8-1/2' Steel Cutting Edge (HD)	
94	26019	Full-Size Strobe Light	5534	9' Steel Cutting Edge (HD)	
95	26020-1	Mini Bar Light	28408	8-1/2' Steel Cutting Edge (EZ-V)	
96	8251	7-1/2' SnoFoil® Assembly (RD)	26593	9-1/2' Steel Cutting Edge (EZ-V)	
	8252	8' SnoFoil Assembly (HD)	27362	9' Steel Cutting Edge (MC)	
	26880	8-1/2' SnoFoil Assembly (HD)	27239	10' Steel Cutting Edge - 2 Sections (MC)	
	8253	9' SnoFoil Assembly (HD)	99	27195	26" Flexible Blade Guide Set (LD, MC, EZ-V)
	22380	9' SnoFoil Assembly (MC)		7906K	Blade Guide Set (RD, HD)
	22200	10' SnoFoil Assembly (MC)		26530K	Commercial Blade Guide Set (All)
97	22470-1	7-1/2', 8', 8-1/2' & 9' Rubber Deflector (LD, SD, RD, HD)	100	20043	Spring Replacement Tool
	21619	8-1/2' Rubber Deflector (EZ-V®)	101	26145	Shoe Kit (LD, SD)
	26572	9-1/2' Rubber Deflector (EZ-V)	102	20555	Skid Plate Kit
	22390	9' & 10' Rubber Deflector (MC)	ns	26812-1	Plow Parka
	22269	6'-9" Steel Deflector (LD)	ns	5248	12 oz Yellow Spray Paint (Painted Blades)
	283	7-1/2' Steel Deflector (LD, RD)	ns	20498	12 oz Black Spray Paint (Powder-Coat)
	26480	8' Steel Deflector (HD)	ns	27242	12 oz Yellow Spray Paint (Powder-Coat)
	26485	8-1/2' Steel Deflector (HD)	ns	5492Y	1 quart Yellow Paint Can
	26490	9' Steel Deflector (HD, MC)	ns	5490Y	1 gallon Yellow Paint Can
			ns	28531	1 quart EZ Flow Hydraulic Fluid
			ns	28532	1 gallon EZ Flow Hydraulic Fluid

Copyright © 2009 Douglas Dynamics, L.L.C. All rights reserved. This material may not be reproduced or copied, in whole or in part, in any printed, mechanical, electronic, film or other distribution and storage media, without the written consent of Fisher Engineering. Authorization to photocopy items for internal or personal use by Fisher Engineering outlets or snowplow owner is granted.

Fisher Engineering reserves the right under its product improvement policy to change construction or design details and furnish equipment when so altered without reference to illustrations or specifications used. Fisher Engineering or the vehicle manufacturer may require or recommend optional equipment for snow removal. Do not exceed vehicle ratings with a snowplow. Fisher Engineering offers a limited warranty for all snowplows and accessories. See separately printed page for this important information. The following are registered (®) or unregistered (™) trademarks of Douglas Dynamics, L.L.C.: EZ-V®, FISHER®, Minute Mount®, ProTube™, SnoFoil®.