



IMPACT™ UTV V-Plow

Blade Assembly 74360

Big Box Assembly 77865

Parts List



IMPACT™ BLADE 4

IMPACT HYDRAULIC UNIT 6

 Headgear and T-Frame Components 6

 Hydraulic Unit Components 8

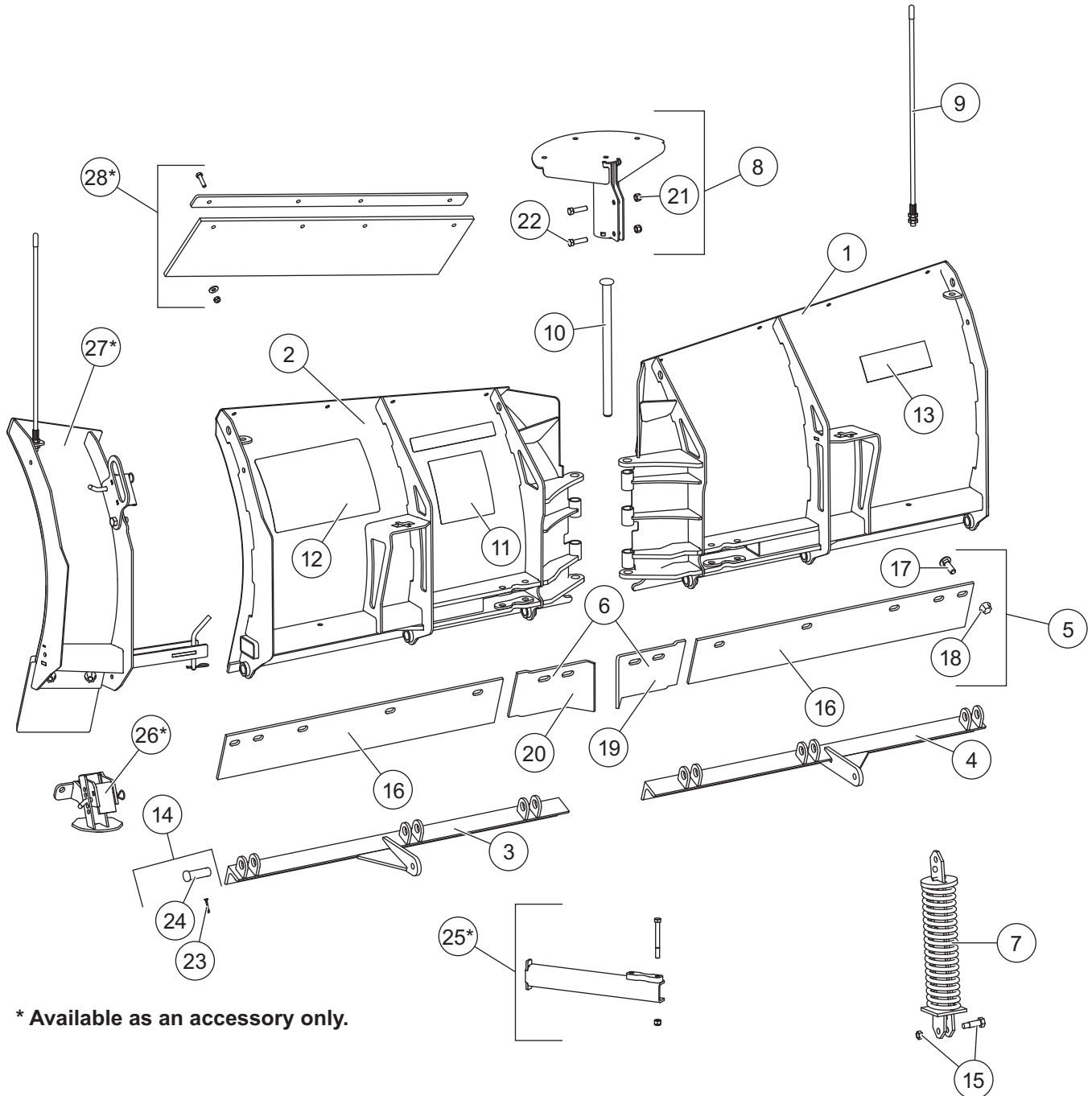
 Lift and Angle Rams Components 10

 Hoses and Fittings 11

 Vehicle-Side Wiring Diagram 12

IMPACT™ UTV V-PLOW BLADE 74360

Blade Components and Accessories



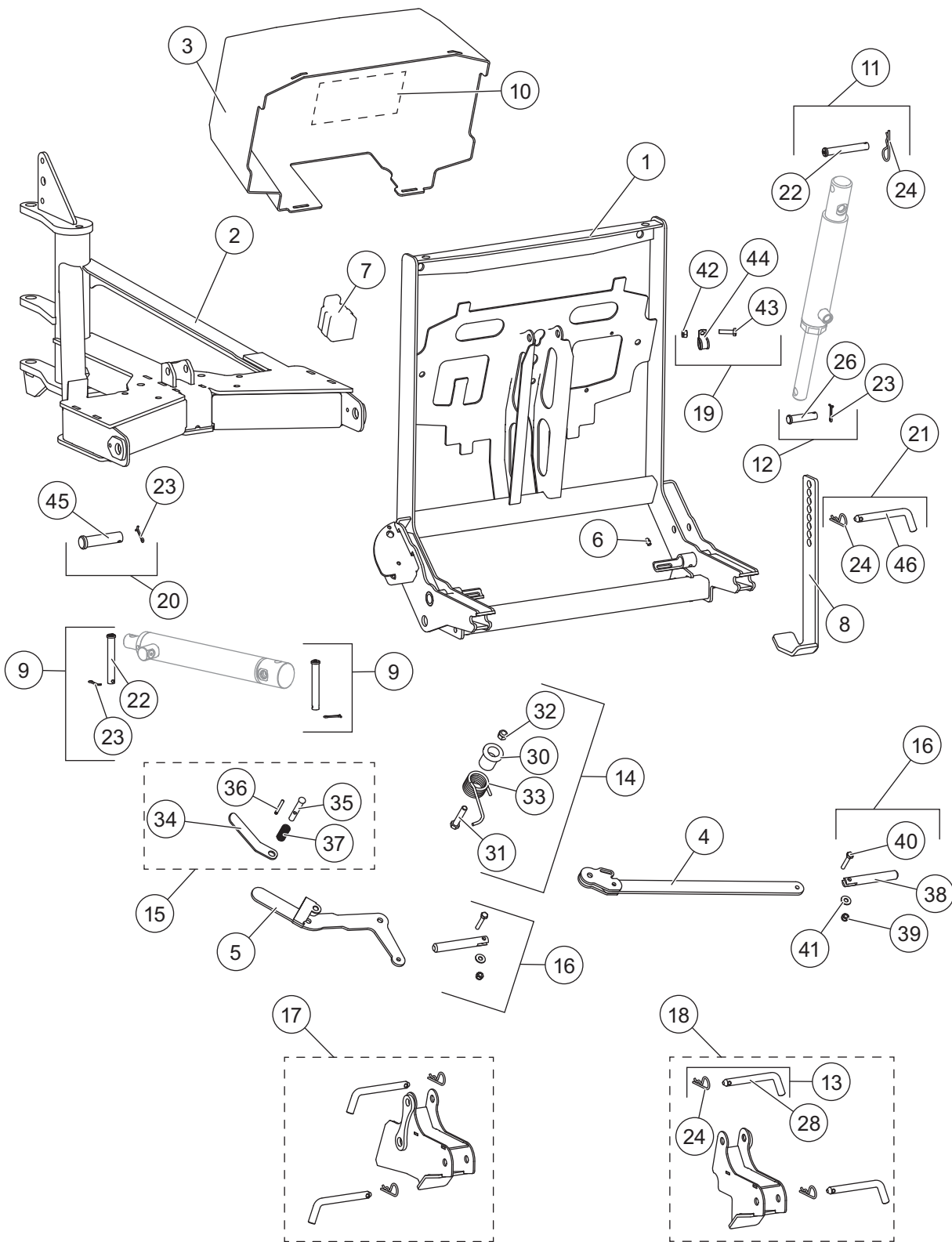
* Available as an accessory only.

IMPACT™ UTV V-PLOW BLADE 74360

IMPACT Blade Components							
Item	Part	Qty	Description	Item	Part	Qty	Description
1	83611	1	Blade, PS (incl. base angle, trip spring and labels)	9	27195W	1	Blade Guides
2	83610	1	Blade, DS (incl. base angle, trip spring and labels)	10	51702	1	3/4 x 12-5/8 Pin
3	83612	1	Base Angle, DS	11	84847	1	Label – Warning/Caution, Snowplow
4	83613	1	Base Angle, PS	12	84746	1	Label – UTV V-Plow Attach/Detach
5	84827	1	Cutting Edge Kit w/Fasteners	13	28404	1	Label – ULTRAFINISH™
6	83622	1	Center Cutting Edge Kit	14	84844	6	3/4 x 2-3/16 Pin Kit
7	21452	2	Removable Spring Assembly	15	83624	1	Shoulder Bolt w/Locknut Kit
8	83626	1	Snow Control Kit	ns	69489	1	Label – WESTERN®
				ns	84771	1	Label – IMPACT
Item 5				84827 Cutting Edge Kit w/Fasteners			
16	84828	2	1/4 Cutting Edge	18		10	1/2-13 Flanged Locknut
17		10	1/2-13 x 1-1/2 Carriage Bolt G8				
Item 6				83622 Center Cutting Edge Kit			
17		4	1/2-13 x 1-1/2 Carriage Bolt G8	19	84323	1	Center Cutting Edge UTV – PS
18		4	1/2-13 Flanged Locknut	20	84325	1	Center Cutting Edge UTV – DS
Item 8				83626 Snow Control Kit			
		1	Snow Control	22		2	3/8-16 x 1-1/2 Hex Cap Screw
21		2	3/8-16 Hex Locknut GB				
Item 14				84844 3/4 x 2-3/16 Pin Kit			
23		1	5/32 x 1-1/4 Cotter Pin	24		1	3/4 x 2-3/16 Pin
Item 15				83624 Shoulder Bolt w/Locknut Kit			
		1	7/16-14 x 1-5/8 Hex Shoulder Bolt			1	7/16-14 Hex Locknut GB
IMPACT Blade Accessories							
Item	Part	Qty	Description	Item	Part	Qty	Description
25	83616*	1	Blade Stop Kit (Pair)	27	52657*	1	Accessory Wing Kit (Pair)
26	52656*	1	Accessory Shoe Kit (Pair)	28	52655*	1	Deflector Kit (Pair)
ns = not shown				* = Accessory Only			
				G = Grade			

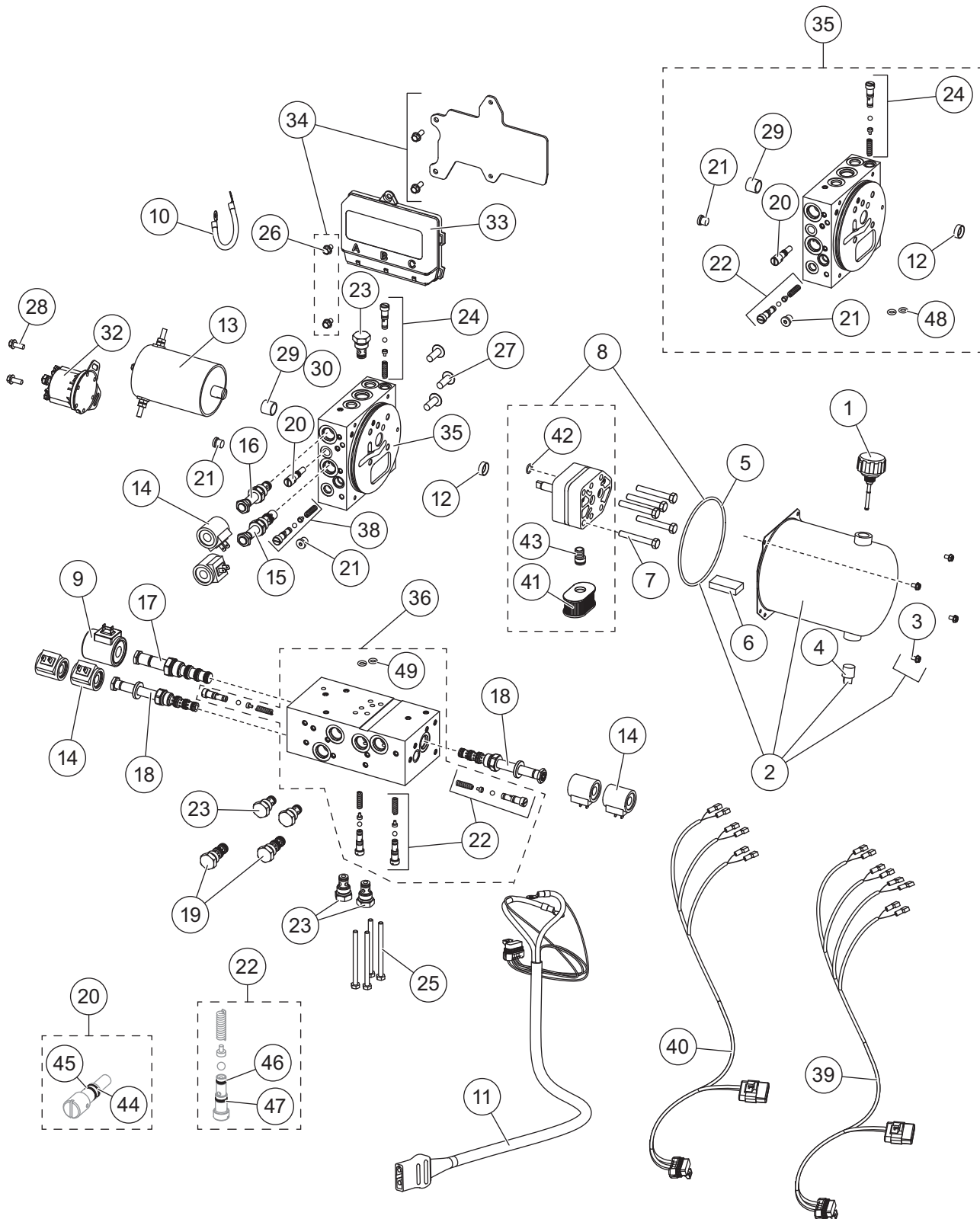
IMPACT™ UTV V-PLOW HEADGEAR AND T-FRAME

Headgear and T-Frame Components



IMPACT™ UTV V-PLOW HYDRAULIC UNIT

Hydraulic Unit Components



IMPACT™ UTV V-PLOW HYDRAULIC UNIT

52652 IMPACT UTV V-Plow Hydraulic Unit							
Item	Part	Qty	Description	Item	Part	Qty	Description
1	66525	1	Reservoir Filler Breather	20	48517	1	Quill
2	48538	1	Reservoir Kit	21	44344	2	Plug, Hex Socket –4 M ORB
3	66607	4	10-24 x 5/16 Machine Screw	22	49138K-4	2	Relief Valve Kit (2 sets)
4	92079	1	Plug, Square 3/8 NPTF	23	44334-1	5	Check Valve CV08-20
5	66519	1	O-Ring 2-250	24	27792-1	1	Relief Valve Repair Kit – Set
6	73897	1	Magnet	25	90696	4	1/4-20 x 3-1/2 Hex Cap Screw G5
7	90073	5	5/16-18 x 2-1/4 Hex Cap Screw G5	26	43988	2	1/4-20 x 3/8 Hex Washer-Head Thread-Rolling Screw
8	52553	1	Pump Kit	27	98043	3	3/8-16 x 1 Button Cap Screw
9	84901	1	Coil 10 w/Spades	28	44355	4	1/4-20 x 5/8 Hex Washer-Head Thread-Rolling Screw
10	29071	1	Cable Assembly, 8"	29†	56364	1	Bearing Sleeve
11	42015	1	Cable Assembly, Plow	32	52290	1	Motor Relay
12*	66515	1	Pump Shaft Seal	33	52292	1	Plow Module
13	48543-1	1	Motor Assembly 3"	34	52293-1	1	Module Plate
14	49230K-2	6	Coil w/Spade Terminals	35	52551	1	Primary Manifold, w/o Valves
15	44332	1	Valve – SVCV08-20 w/Nut	36	52552	1	Secondary Manifold, w/o Valves
16	48288	1	Valve – 2-Way NC w/Rev Flow	38	52282	1	Relief Valve (1 set)
17	84900	1	Valve – 4-Way SV10-43 w/Nut	39	52215	1	Plow Control Harness, 4-Coil
18	52285	2	Valve – 4-Way 3-Position Closed Center w/Nut and Spacer	40	52217	1	Plow Control Harness, 3-Coil
19	49458	2	Valve – PC08-30 w/Nut				
Item 2 48538 Reservoir Kit							
		1	Reservoir	4	92079	1	Plug, Square 3/8 NPTF
3	66607	4	10-24 x 5/16 Machine Screw	5	66519	1	O-Ring 2-250
Item 8 52553 Pump Kit							
		1	Pump	42	56274	1	O-Ring -013
5	66519	1	O-Ring 2-250	43	10887	1	Fitting, Hydraulic Pump Inlet
41	56789-4	1	Suction Filter				
Item 20 48517 Quill							
44	48239	1	O-Ring -106	45	48240	1	Back-Up Ring -106
Item 22 49138K-4 Relief Valve Kit							
46	55371	6	O-Ring -008	47	25731	6	O-Ring -010
Item 35 52551 Primary Manifold w/o Valves							
12*	66515	1	Pump Shaft Seal	24	27792-1	1	Relief Valve Repair Kit – Set
20	48517	1	Quill	29†	56364	1	Bearing Sleeve
21	44344	2	Plug, Hex Socket –4 M ORB	48	43818	2	O-Ring -109
22	49138K-3	2	Relief Valve Kit (2 sets)				
Item 36 52552 Secondary Manifold w/o Valves							
22	49138K-3	2	Relief Valve Kit (2 sets)	49	43818	2	O-Ring -109
O-Ring Service Kits							
ns	52298-1		O-Ring Kit (Does not contain O-rings for valves.)	ns	49259-2		Seal Kit – 3-Way and 4-Way Valve
ns	49258-2		Seal Kit – 2-Way Valves	ns	84909		Seal Kit, Size 10 – 3-Way and 4-Way Valve
ns = not shown						G = Grade	

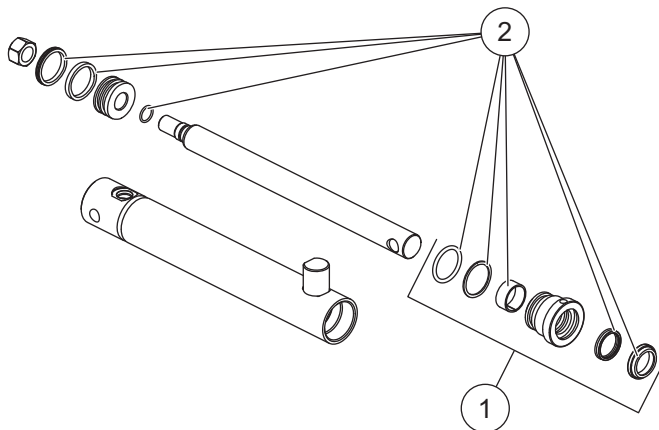
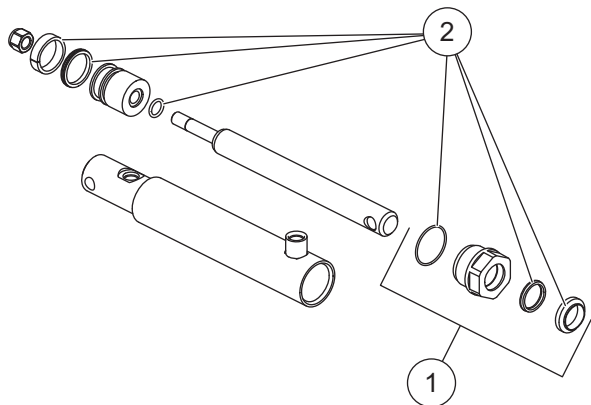
* Use 28856 tool for pump shaft seal replacement (includes 1 seal).

† Use 64589 tool for bearing sleeve replacement (includes 1 bearing).

Go to www.westernplows.com for hydraulic unit service information and specifications.

IMPACT™ UTV V-PLOW LIFT AND ANGLE RAM COMPONENTS

Lift and Angle Ram Components

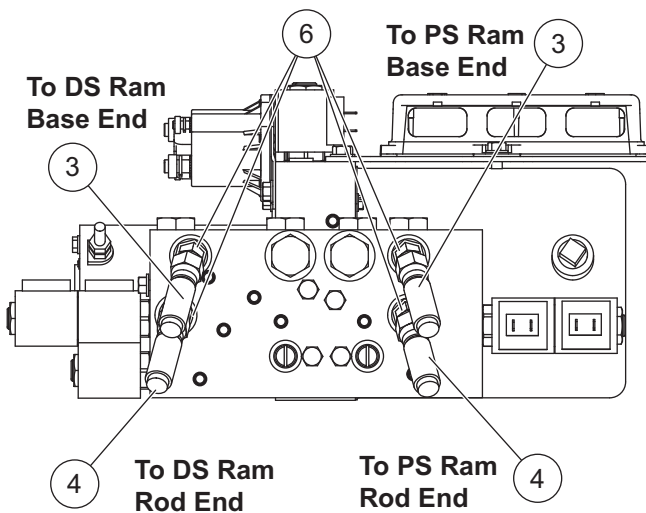
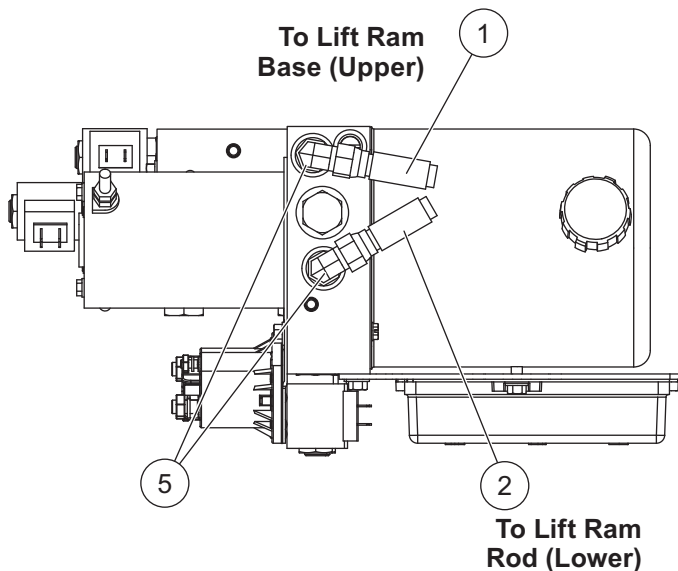
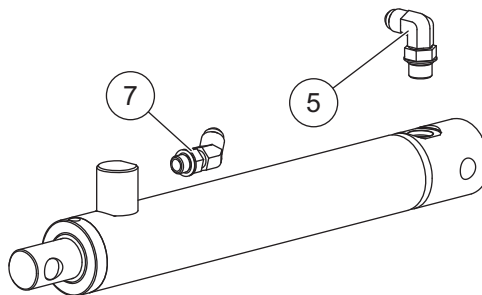
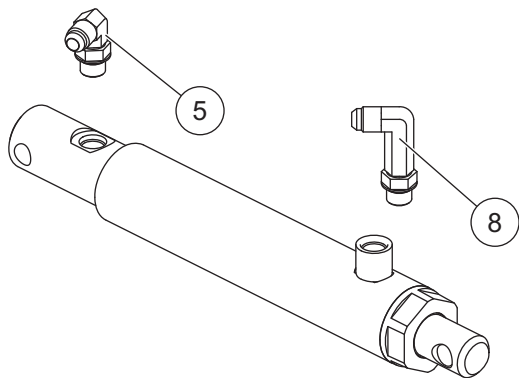


84496 Lift Ram Assembly 1-1/2 x 6			
Item	Part	Qty	Description
1	52277	1	1" Gland Nut Assembly
2	27788-1	1	Seal Kit 1-1/2 DA Ram

84435 Wing Ram Assembly 1-1/2 x 8-3/4 DA			
Item	Part	Qty	Description
1	52558	1	1" Gland Nut Assembly
2	52557	1	Seal Kit 1-1/2 DA Ram

IMPACT™ UTV V-PLOW HOSES AND FITTINGS

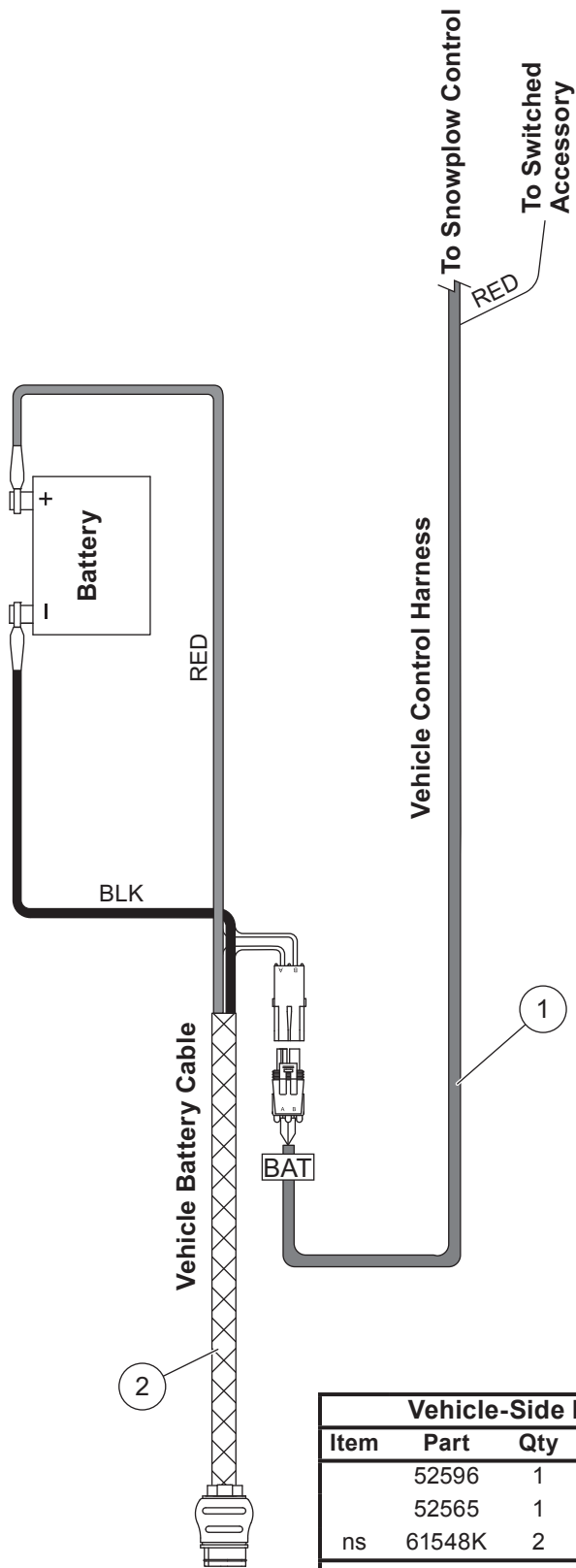
Hoses and Fittings



Hoses and Fittings							
Item	Part	Qty	Description	Item	Part	Qty	Description
1	84446	1	Hose, 1/4 x 14 w/F JIC Ends	6	26694	4	Elbow, 45° -6 M JIC/-6 M ORB
2	84453	1	Hose, 1/4 x 20 w/F JIC Ends	7	41093	1	Elbow, 45° -6 M JIC/-6 M ORB
3	48519	2	Hose, 1/4 x 32 w/F JIC Ends	8	64212-1	1	Elbow, Extra Long 90°-6 M JIC/-6 M ORB
4	64625	2	Hose, 1/4 x 36 w/F JIC Ends				
5	56615-1	6	Elbow, 90° -6 M JIC/-6 M ORB				
F = Female				M = Male or Metric			

IMPACT™ UTV V-PLOW VEHICLE-SIDE HARNESS DIAGRAM

Vehicle-Side Harness Diagram



Vehicle-Side Electrical Components			
Item	Part	Qty	Description
	52596	1	Vehicle Control Harness
	52565	1	Vehicle Battery Cable
ns	61548K	2	Plug Cover
ns = not shown			



Western Products
PO Box 245038
Milwaukee, WI 53224-9538
www.westernplows.com

 A DIVISION OF DOUGLAS DYNAMICS, LLC

Copyright © 2016 Douglas Dynamics, LLC. All rights reserved. This material may not be reproduced or copied, in whole or in part, in any printed, mechanical, electronic, film or other distribution and storage media, without the written consent of Western Products. Authorization to photocopy items for internal or personal use by Western Products outlets or snowplow owner is granted.

Western Products reserves the right under its product improvement policy to change construction or design details and furnish equipment when so altered without reference to illustrations or specifications used. Western Products or the vehicle manufacturer may require or recommend optional equipment for snow removal. Do not exceed vehicle ratings with a snowplow. Western Products offers a limited warranty for all snowplows and accessories. See separately printed page for this important information. The following are registered (®) or unregistered (™) trademarks of Douglas Dynamics, LLC: IMPACT™, ULTRAFINISH™, WESTERN®.

Printed in U.S.A.