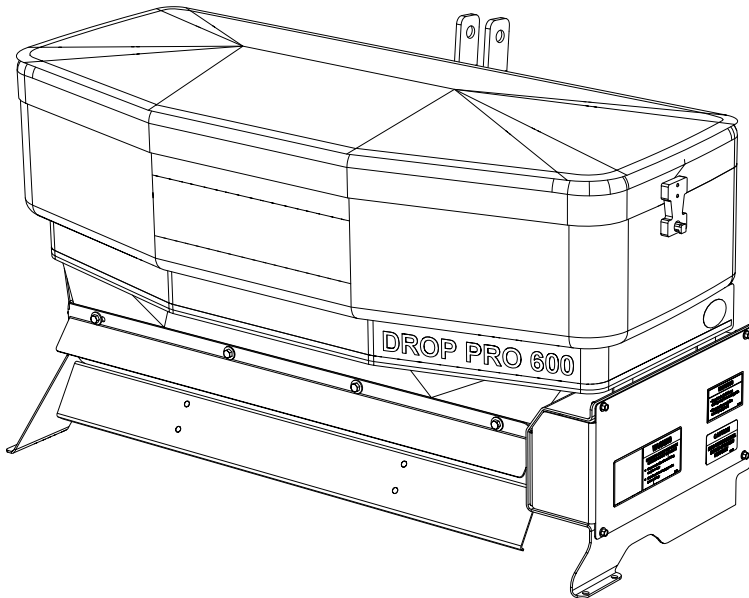


# Parts List

# SNOWEX<sup>®</sup>

LEADERS IN ICE CONTROL



## **SD-600**

Serial No. X2-100038 and higher

## **SD-1400**

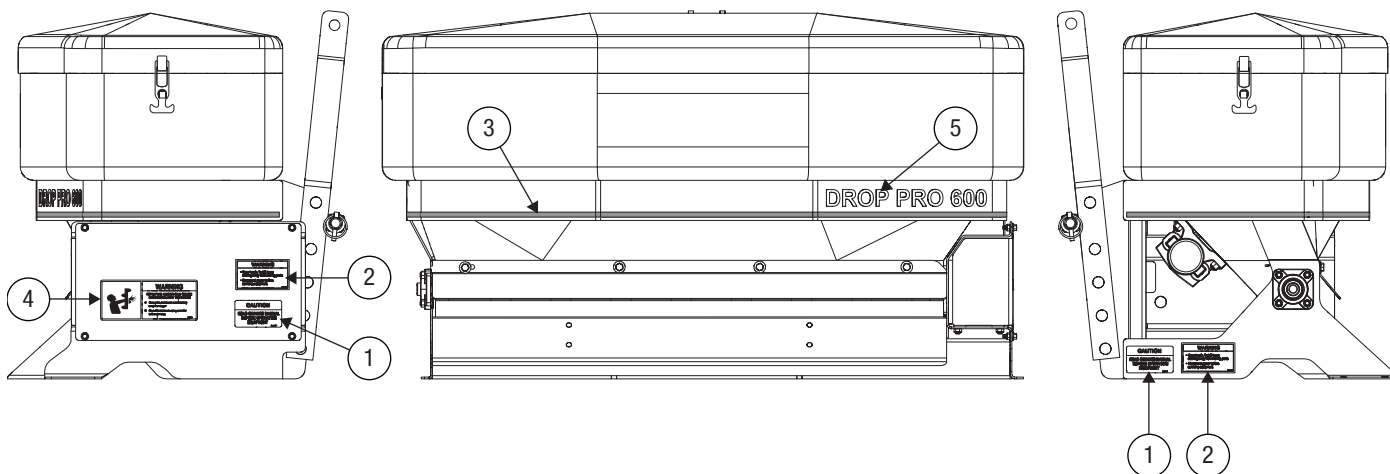
Serial No. X3-100019 and higher



**CUSTOMER COPY**

Madison Heights, Michigan 48071  
800-SALTERS  
www.snowexproducts.com

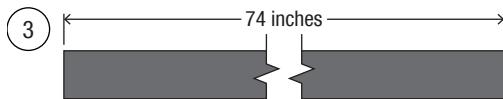
# Decal Placement



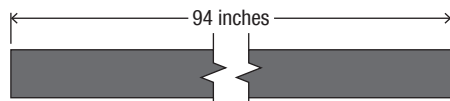
D4112



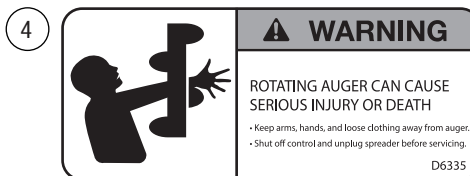
D6192



D6229-74 [SD-600]



D6229-94 [SD-1400]



D6335

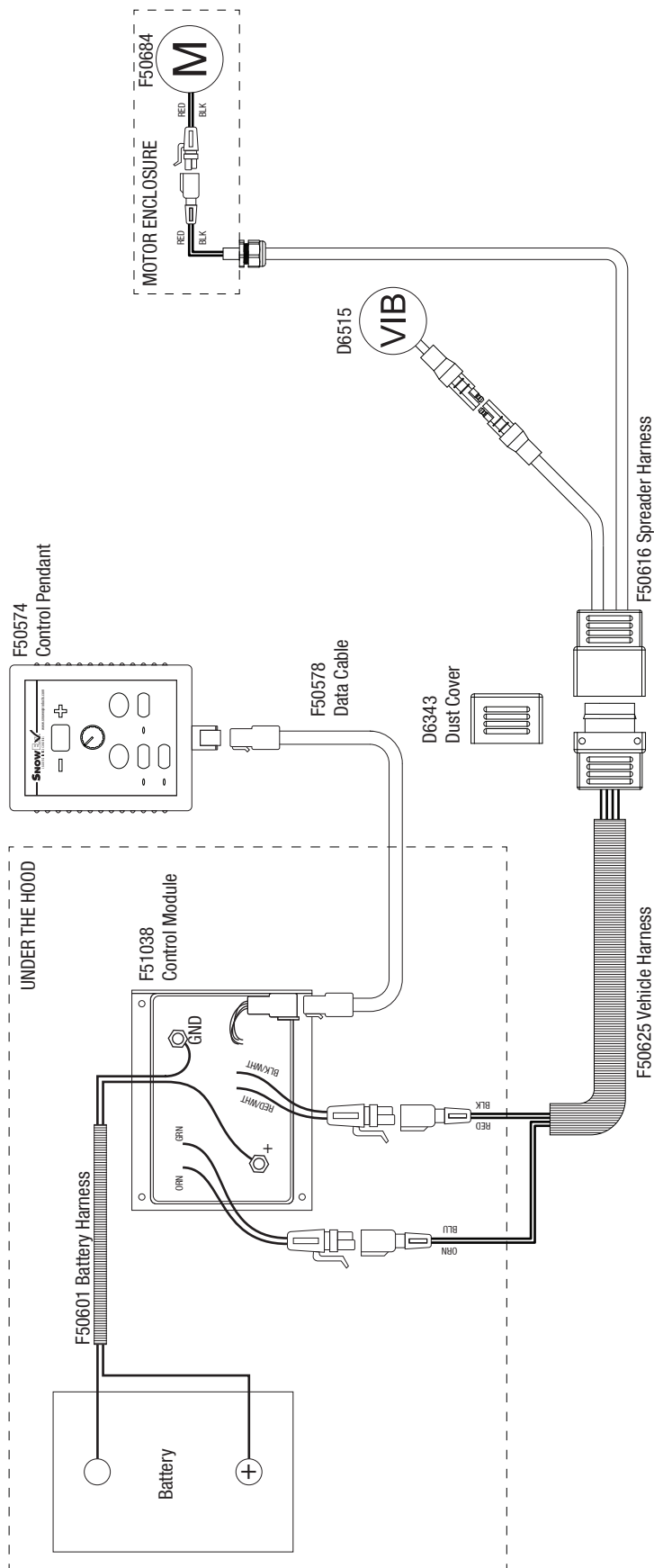
5 DROP PRO 600

F50706

DROP PRO 1400

F50702

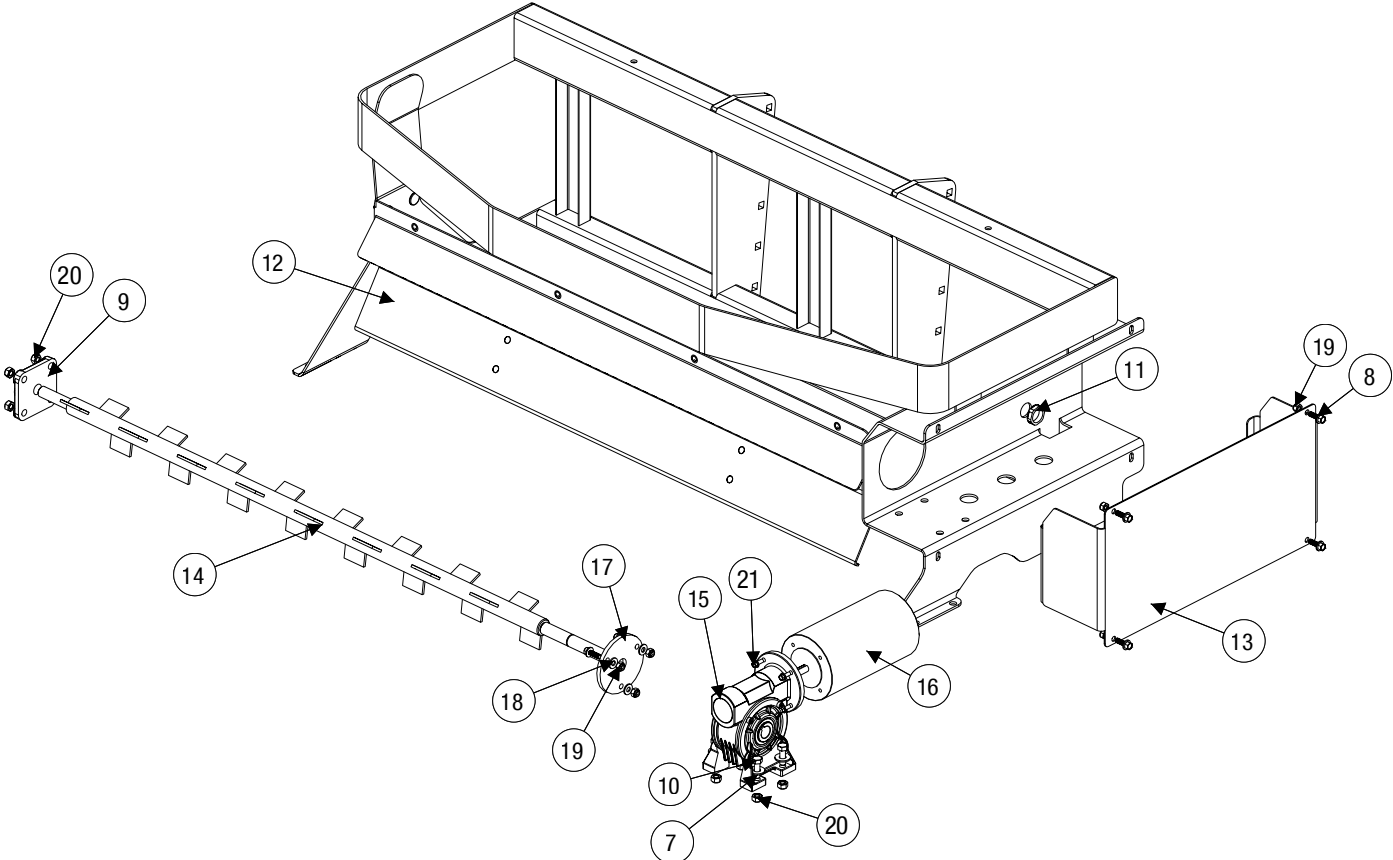
# Wiring Schematic



# Frame and Spreading Assembly Parts Breakdown



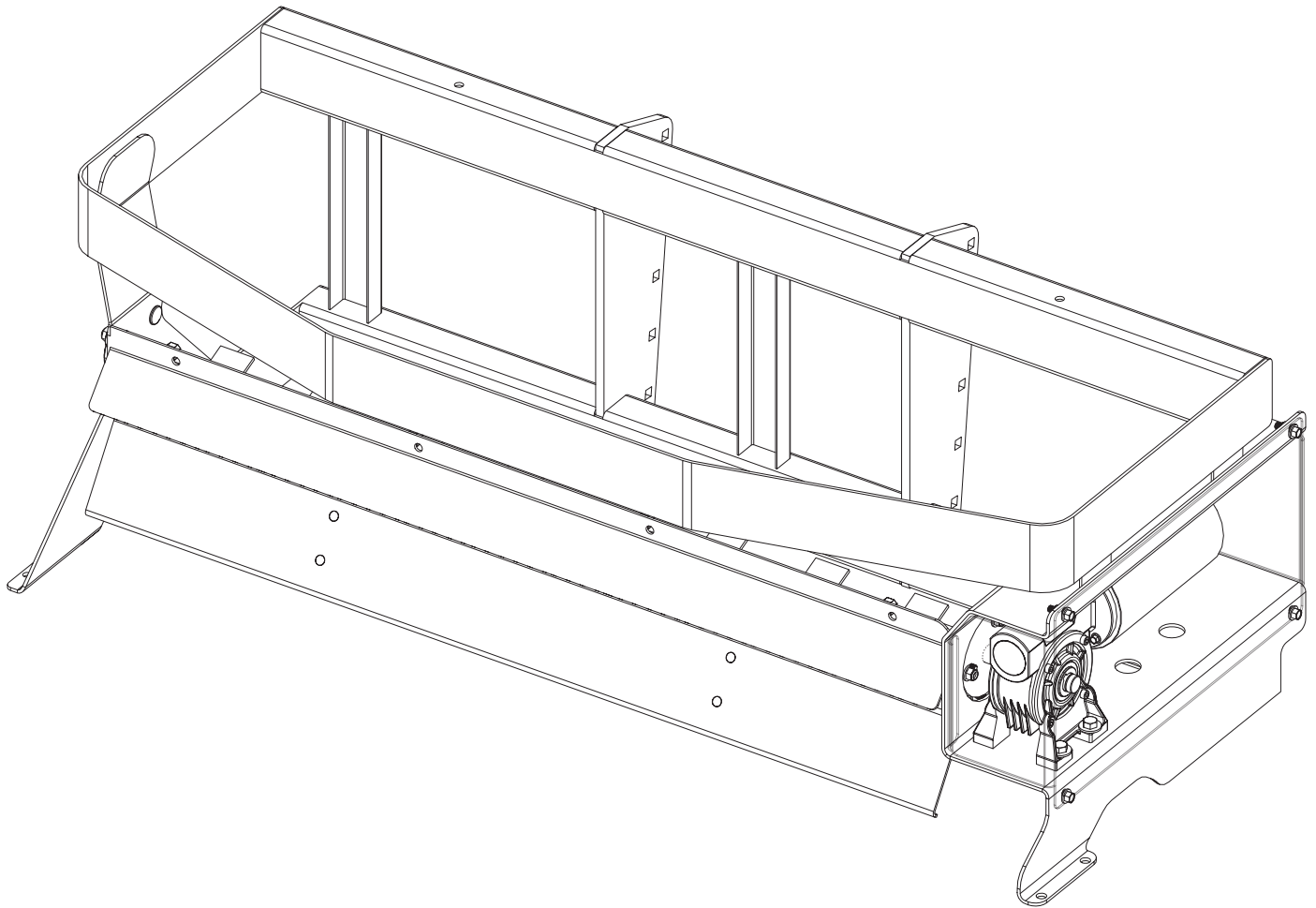
SD-600



# Frame and Spreading Assembly Parts Breakdown



SD-600



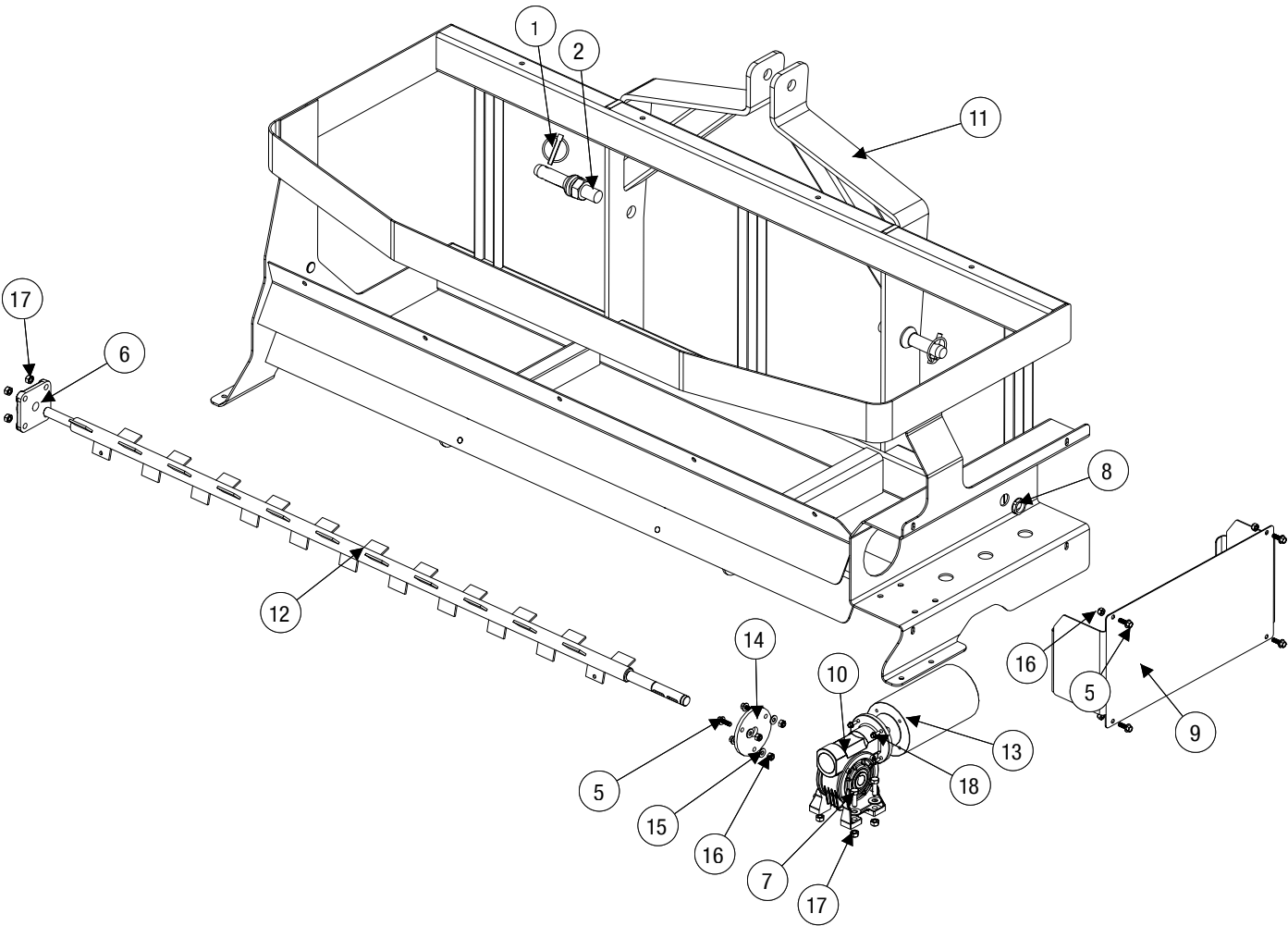
ID #	Part #	Qty
7	D5949	4
8	D6132	7
9	D6332	1
10	D6418	4
11	D6781	1
12	F50482	1
13	F50483	1
14	F50484	1

ID #	Part #	Qty
15	F50582	1
16	F50684	1
17	F50980	1
18	T15014	3
19	T15016	7
20	T15018	8
21	T30735	4

# Frame and Spreading Assembly Parts Breakdown



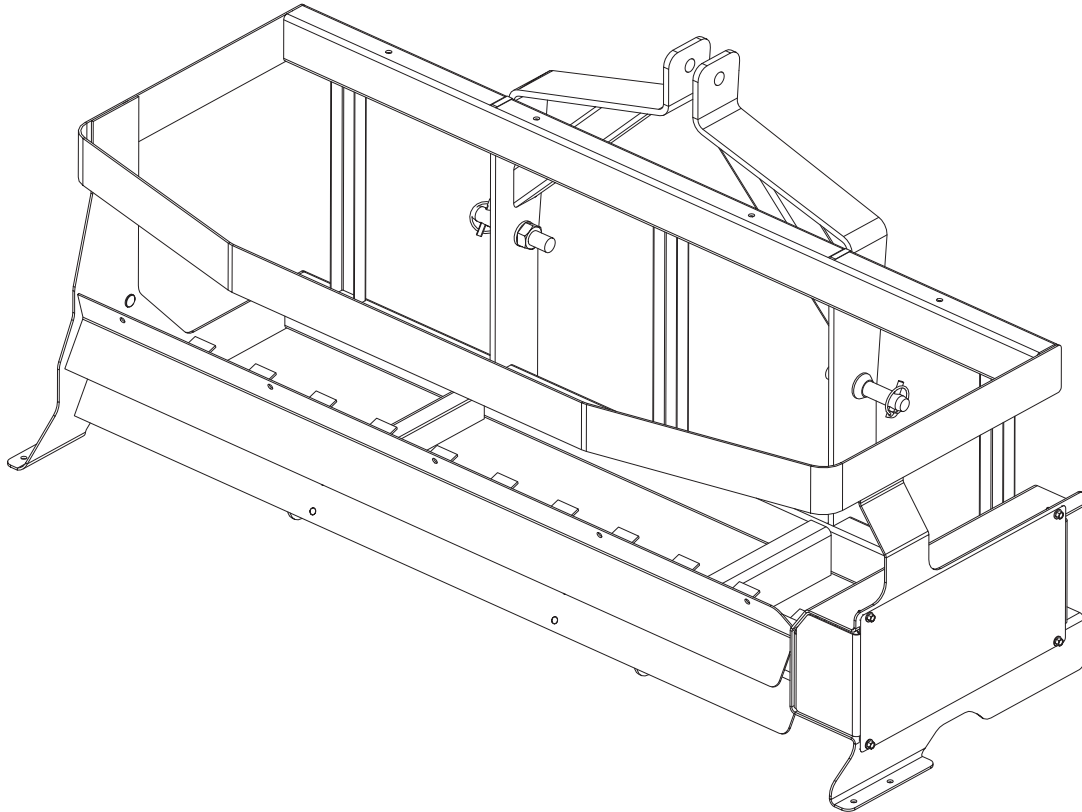
SD-1400



# Frame and Spreading Assembly Parts Breakdown



SD-1400



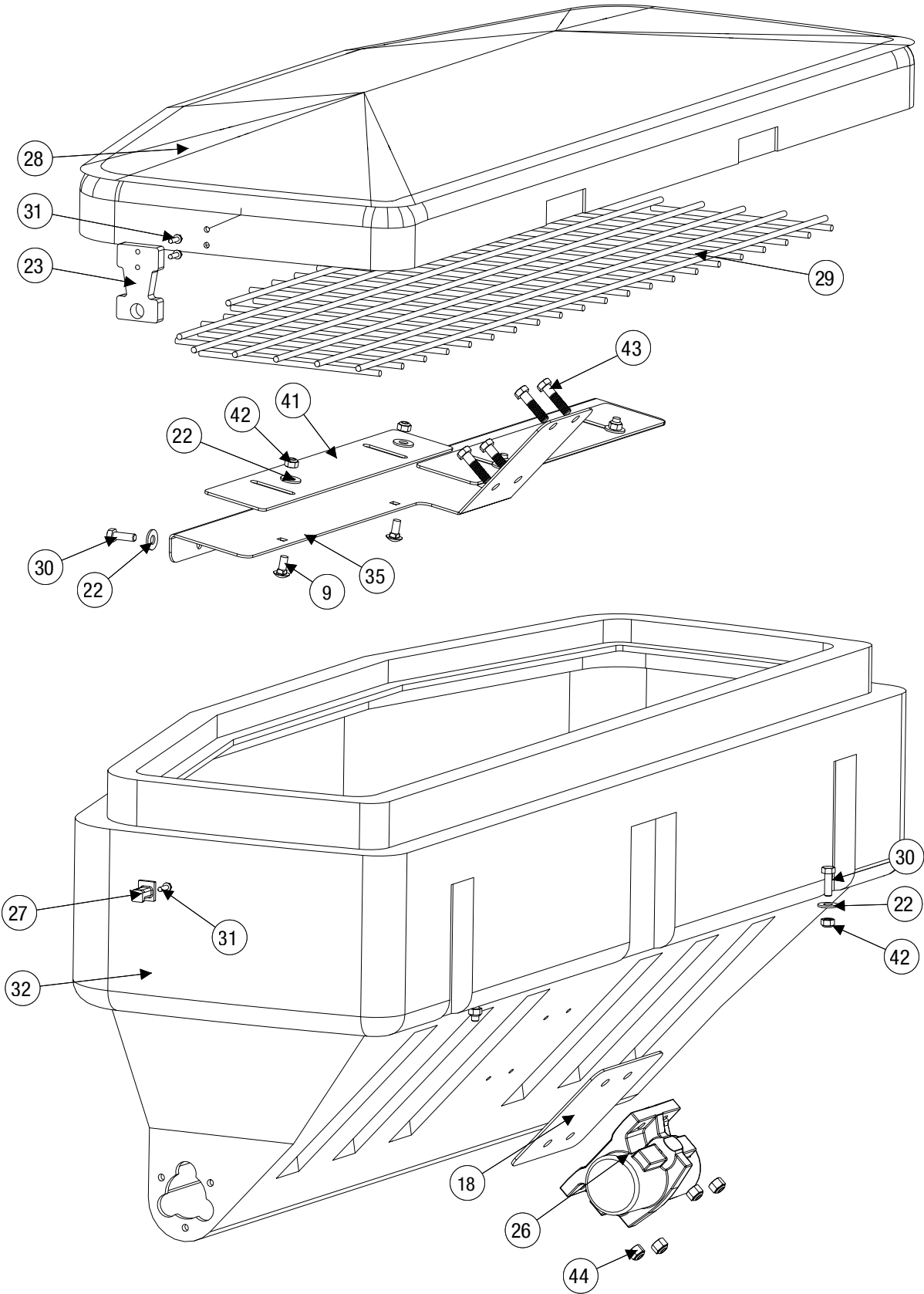
ID #	Part #	Qty
1	D4133	2
2	D4137	2
5	D6132	7
6	D6332	1
7	D6418	4
8	D6781	1
9	F50483	1
10	F50582	1

ID #	Part #	Qty
11	F50585	1
12	F50593	1
13	F50684	1
14	F50980	1
15	T15014	3
16	T15016	7
17	T15018	8
18	T30735	4

# Hopper Assembly Parts Breakdown



SD-600

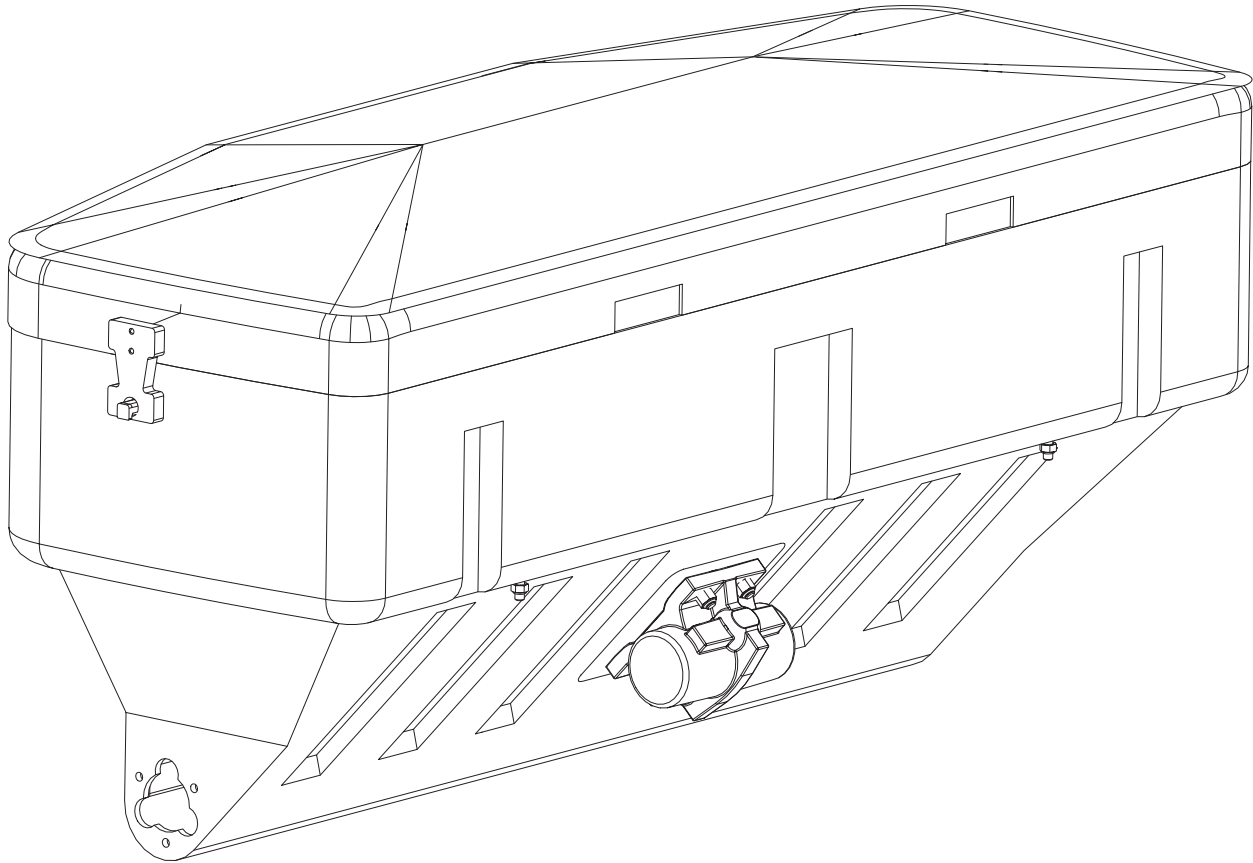




# Hopper Assembly Parts Breakdown



SD-600



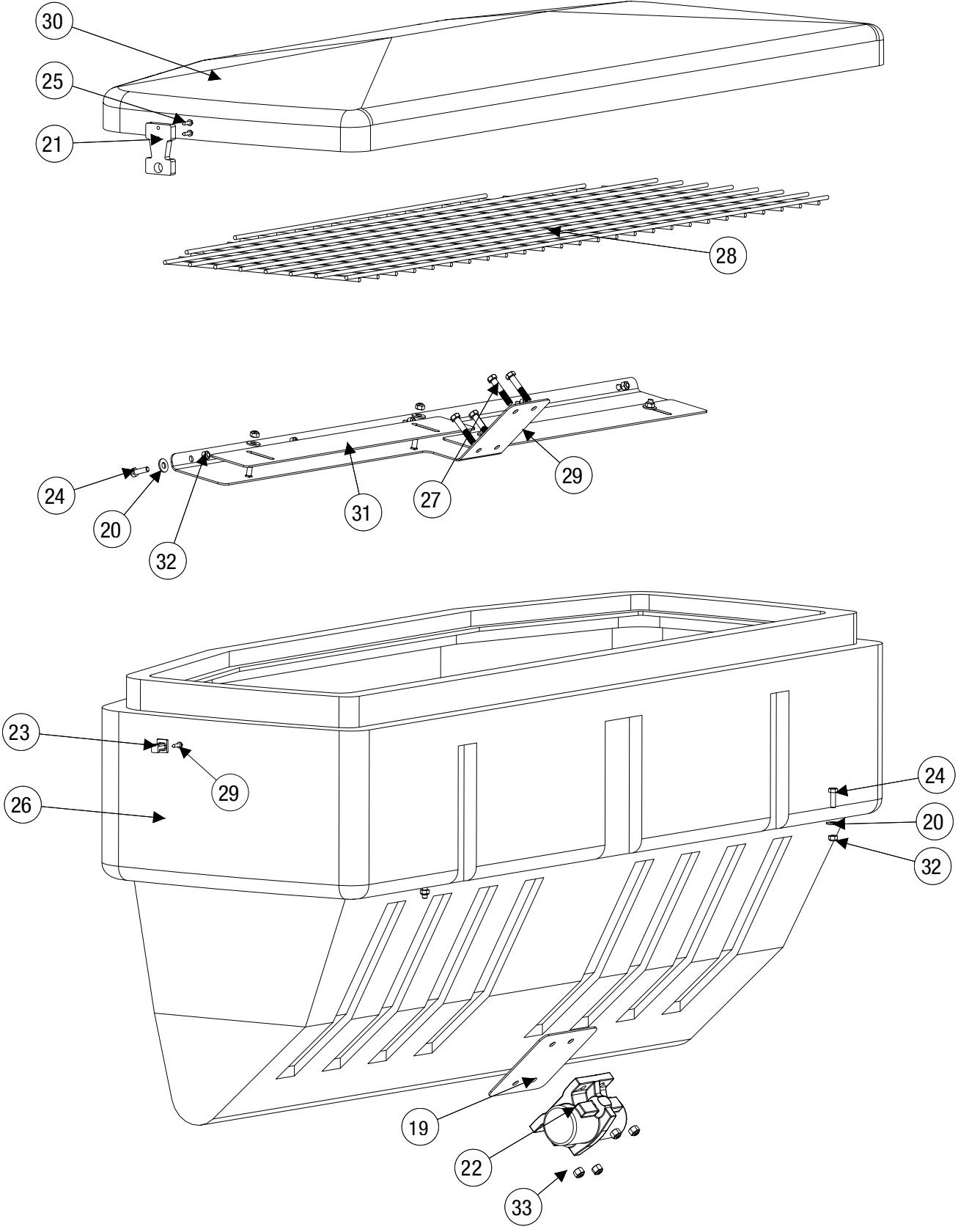
ID #	Part #	Qty
9	D5022	4
18	D5508	1
22	D5949	10
23	D6105	2
26	D6174	1
27	D6198	2
28	D6314	1
29	D6334	1
30	D6418	6

ID #	Part #	Qty
31	D6553	6
32	F50477	1
35	F50557	1
41	F50708	2
42	T15018	6
43	T30727	4
44	T30728	4

# Hopper Assembly Parts Breakdown



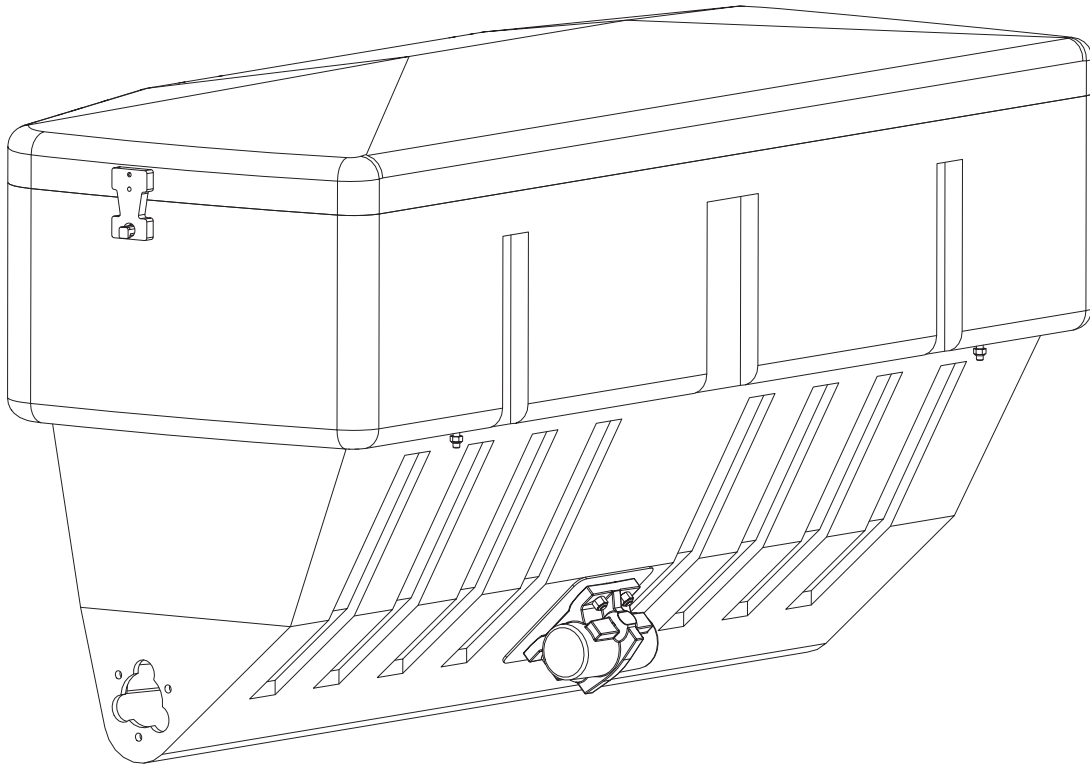
SD-1400



# Hopper Assembly Parts Breakdown



SD-1400



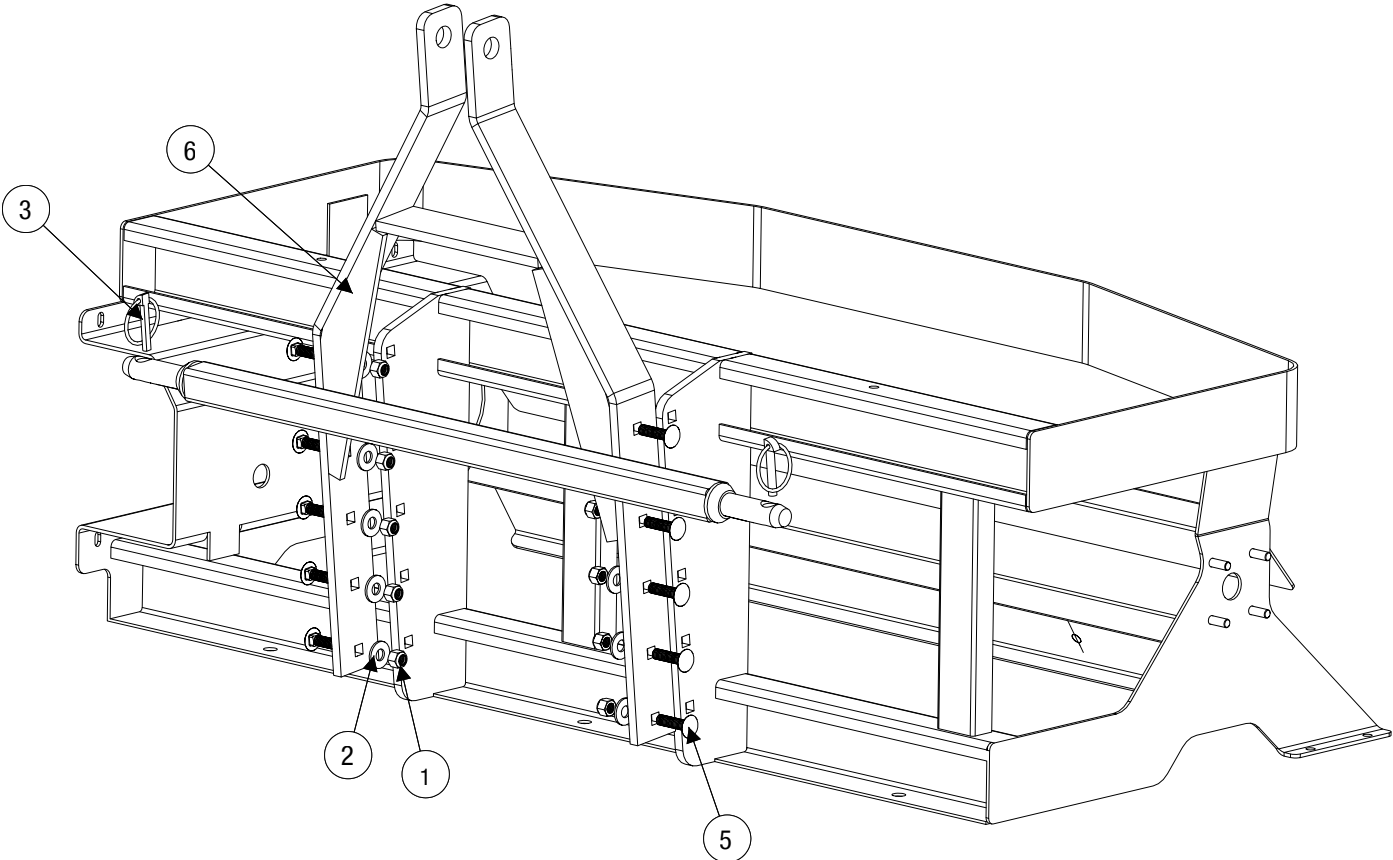
ID #	Part #	Qty
19	D5508	1
20	D5949	11
21	D6105	2
22	D6174	1
23	D6198	2
24	D6418	7
25	D6553	6
26	F50508	1

ID #	Part #	Qty
27	F50547	4
28	F50588	1
29	F50589	1
30	F50592	1
31	F50712	2
32	T15018	11
33	T30728	4

# 3-Point Hitch Parts Breakdown

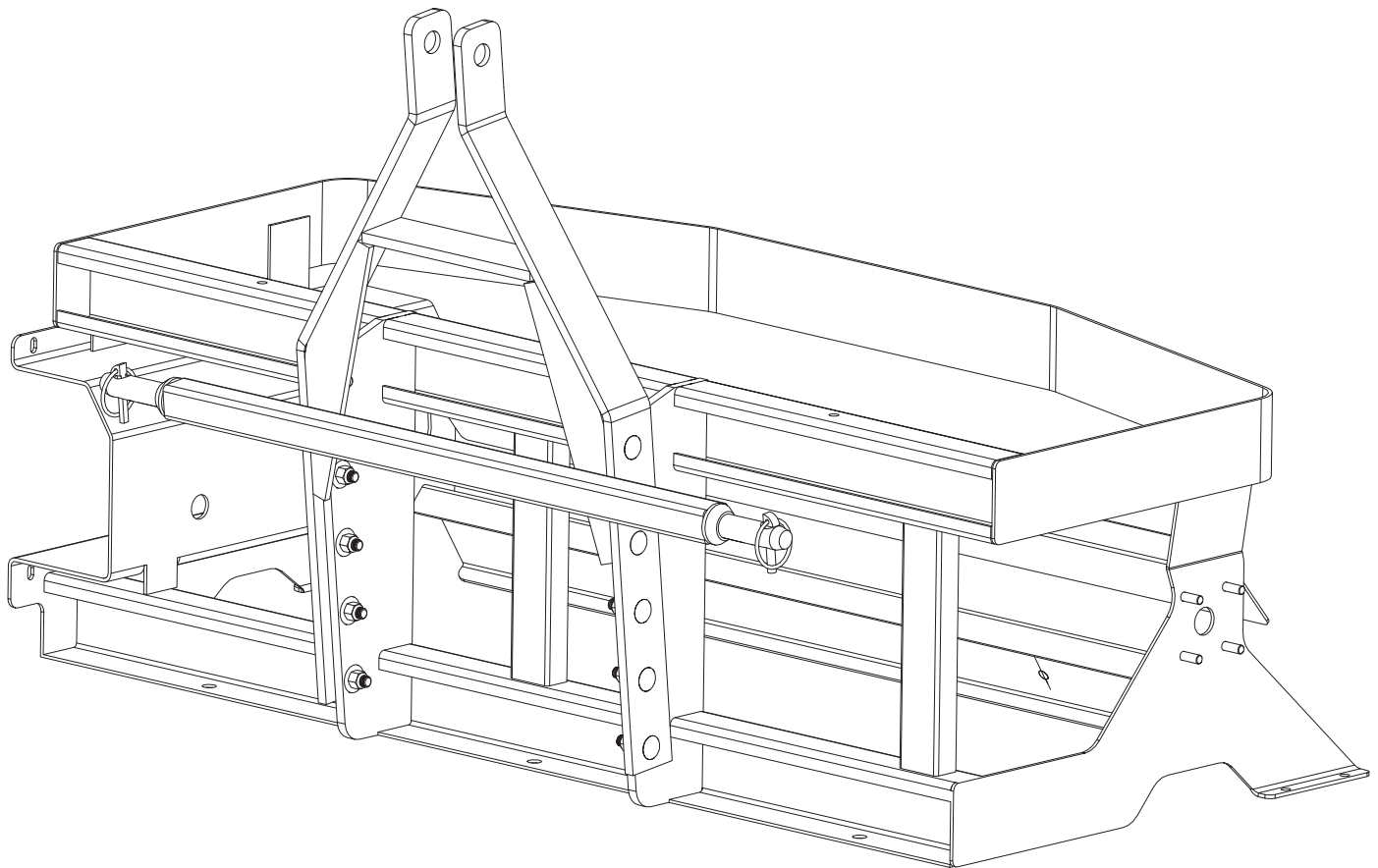


SD-600



# 3-Point Hitch Parts Breakdown

SD-600



ID#	Part #	Qty
1	D4124	10
2	D4125	10
3	D4133	2
4	D4417	1
5	D6875	10
6	F51196	1

## Key to Parts



B8217	Pallet   62" X 36" Wood	F50589	Material Baffle   SD-1400
D4112	Decal   Caution - Read Owner's Manual	F50592	Lid Assembly   SD-1400
D4133	Linch Pin   5/16" X 1-9/16" Zinc	F50593	Drop Spreader Drum 55.5"
D4137	Lift Arm Pin   7/8" X 5-1/2"	F50601	Battery Harness   Tailgate-Vibrator
D5508	Flat Inverted V Backing Plate	F50616	Spreader Harness   Drop Spreader
D5905	Bolt   #10-32 X 1/2" Hex Head MS Stainless	F50625	Vehicle Harness   Drop Spreader 12'
D5948	Nut   #10-32 Nylox Waxed Stainless	F50684	Motor   1/3HP 1750RPM
D5949	Washer   5/16" Flat Stainless	F50702	Decal   Die Cut - SD-1400
D6132	Bolt   1/4"-20 X 3/4" Serrated Flange Stainless	F50706	Decal   Die Cut - SD-600
D6169	Washer   3/8" Flat Stainless	F50708	Adjustable Material Baffle   SD-600
D6174	Vibrator   DC 80	F50712	Adjustable Material Baffle   SD-1400
D6192	Decal   Warning - Hands & Feet/Disconnect Power	F50729	Owner's Manual   SD-600 & SD-1400
D6229-74	Red Stripe   3/8" X 74"	F50980	Shaft Seal   Drop Spreader
D6229-94	Red Stripe   3/8" X 94"	F51038	Control Module   Drop Spreader
D6314	Lid Assembly	F51139	Pallet 34" x 51"
D6332	Bearing   5/8" 4 Bolt Flange	F51140	Crate End   34" X 32"
D6334	SD-600 Top Screen	F51141	Crate Side   52" X 30-3/4"
D6335	Decal   Warning - Rotating Auger	F51142	Crate Top   52" X 35"
D6418	Bolt   5/16"-18 X 1" Hex Head Stainless	F51143	Crate End   37" X 38-1/2"
D6584	Nut   3/8"-16 Serrated Flange Zinc	F51144	Crate Side   42" X 64-1/2"
D6781	Nut   1/2" NPT Black Nylon	F51145	Crate Top   38" X 64-1/2"
F50110	Bolt   3/8"-16 X 1" Hex Head Stainless	F51147	Shipping Cover   SD-600
F50477	Hopper   8.75 Cu. Ft. Yellow	F51148	Shipping Cover   SD-1400
F50482	Main Frame   SD-600	F51196	3 Point Hitch A Frame
F50483	Auger Motor Cover   Drop Spreader	F51213	Keystock   6MM X 25MM
F50484	Drop Spreader Drum 41.5"	F51214	External Retaining Ring   18MM
F50508	Hopper   14.0 Cu. Ft. Yellow	T15014	Washer   1/4" Flat Stainless
F50547	Bolt   3/8"-16 X 2" Hex Head Stainless	T15016	Nut   1/4"-20 Nylox Waxed Stainless
F50557	Material Baffle   SD-600	T15018	Nut   5/16"-18 Nylox Waxed Stainless
F50574	Control Pendant   with Auxiliary Output	T30008	Edge Grip Seal
F50578	Data Cable   Tailgate	T30727	Bolt   3/8"-16 X 1-1/2" Hex Head Stainless
F50582	Transmission   100:1 Worm Gear	T30728	Nut   3/8"-16 Nylox Waxed Stainless
F50585	Main Frame   SD-1400	T30731	Keystock   m4 X 15mm
F50588	Top Screen   52.35 X 18.25	T30735	Bolt   M5-0.80 X 12mm Serrated Flange Zinc



**Notes**

---

---

---

---

---

---

---

---

---

---

---

---

---

---

---

---

---

---

---

---

---

---

---

---

---

---

---

---

---

