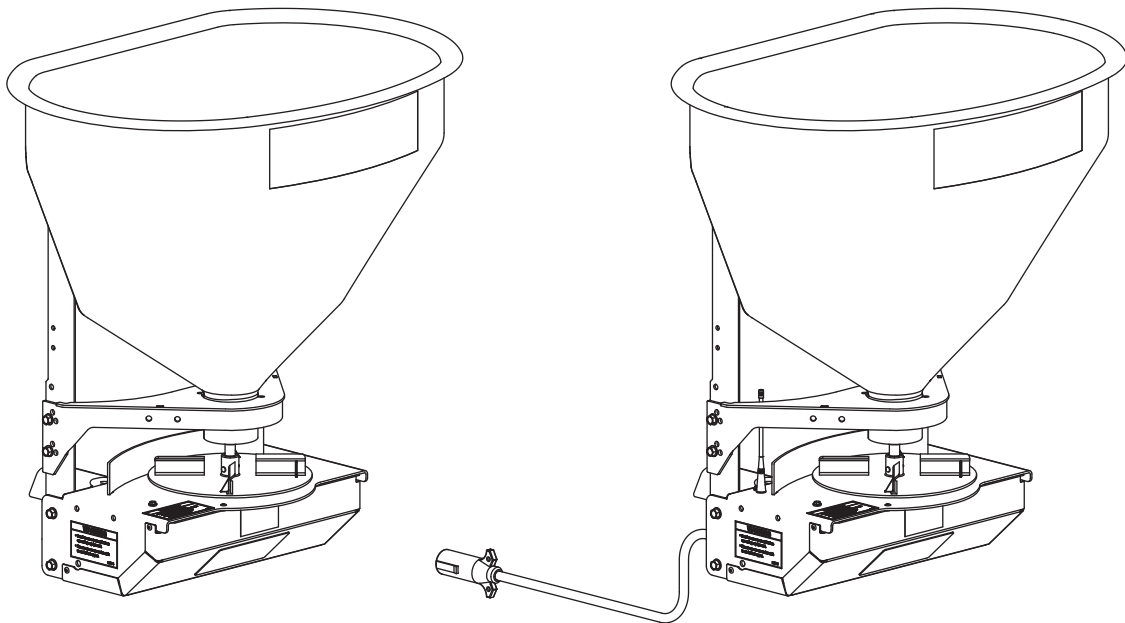




Hopper and Drive Components

SP-225-1 & SR-210 Low-Profile Tailgate Spreader

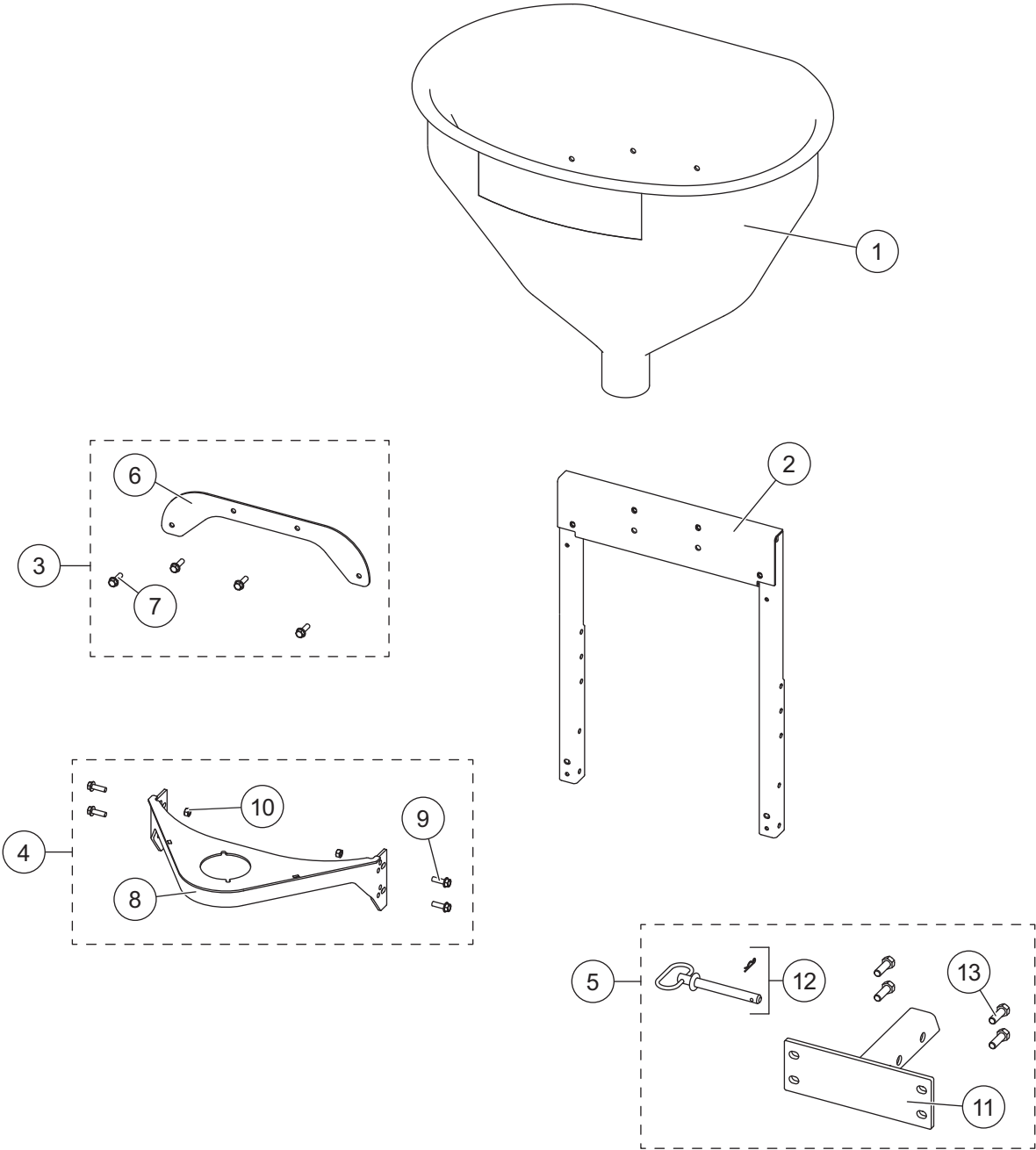
Parts List



This manual is for SnowEx® SP-225-1 tailgate spreaders with serial numbers beginning with 170109 and higher, and SR-210 tailgate spreaders with serial numbers beginning with 151013 and higher.

SP-225-1 & SR-210 LOW-PROFILE TAILGATE SPREADER

HOPPER COMPONENTS

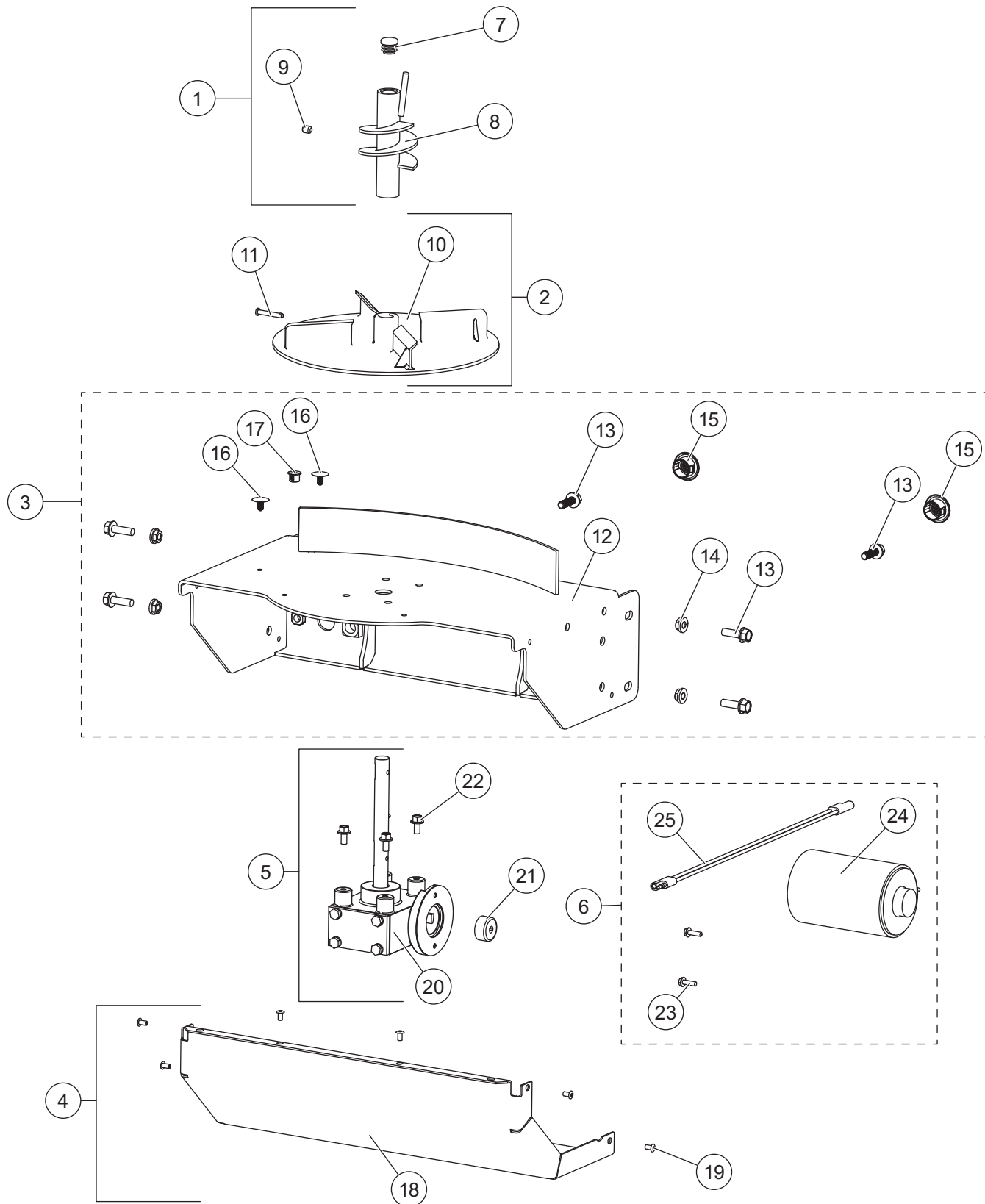


SP-225-1 & SR-210 LOW-PROFILE TAILGATE SPREADER

Hopper Components							
Item	Part	Qty	Description	Item	Part	Qty	Description
1	75571	1	Hopper (yellow)	4	75617	1	Hopper Throat Kit
2	75572	1	Hopper Frame	5	75619	1	Receiver Kit
3	75570	1	Hopper Support Kit	ns	75563	1	FCC Compliance Label Kit
Item 3				75570 Hopper Support Kit			
6		1	Backing Plate	ns		4	5/16-18 Serrated Flange Nut
7		4	5/16-18 x 1 Serrated Flange Hex Cap Screw SS				
Item 4				75617 Hopper Throat Kit			
8		1	Throat Support	10		4	5/16-18 Serrated Flange Nut
9		4	5/16-18 x 1 Serrated Hex Cap Screw				
Item 5				75619 Receiver Kit			
11		1	Hitch, 2" Receiver Utility	13		4	1/2-13 x 1-1/2 Serrated Flange Hex Cap Screw G5
12	75620	1	5/8 x 5-1/2 Hitch Pin w/Hairpin Cotter				
ns = not shown		G = Grade		SS = Stainless Steel			

SP-225-1 & SR-210 LOW-PROFILE TAILGATE SPREADER

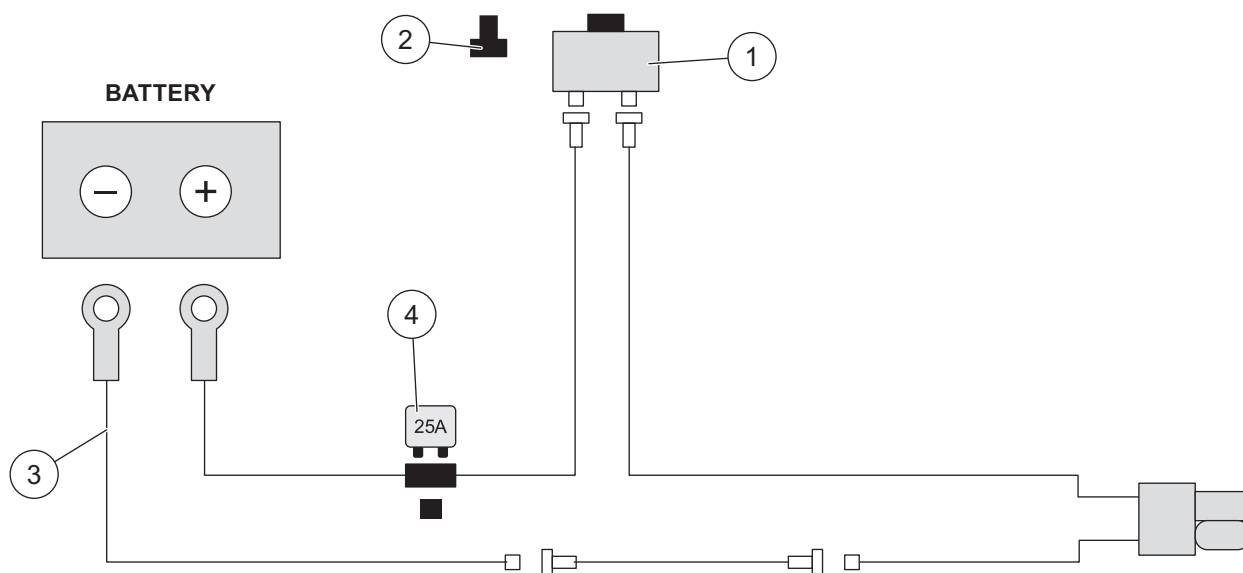
MODEL SP-225-1 DRIVE COMPONENTS



SP-225-1 & SR-210 LOW-PROFILE TAILGATE SPREADER

Model SP-225-1 Drive Components							
Item	Part	Qty	Description	Item	Part	Qty	Description
1	75615	1	Auger Kit	4	75624	1	Transmission Enclosure Cover Kit
2	75618	1	Spinner Kit	5	75625	1	Transmission Kit
3	75628	1	Transmission Enclosure Kit	6	75418	1	Motor Kit
Item 1 75615 Auger Kit							
7		1	Auger Cap	9		1	5/16-18 x 3/8 Set Screw
8		1	Auger				
Item 2 75618 Spinner Kit							
10		1	Spinner, Poly	11		1	3/16 x 1-1/4 Clevis Pin
Item 3 75628 Transmission Enclosure Kit							
12		1	Transmission Mount	17		1	1/2 Cap Plug
13		6	5/16-18 x 1 Serrated Hex Cap Screw	ns	75621	1	Label – Warning, Hands & Feet
14		4	5/16-18 Serrated Flange Nut	ns	75622	1	Label – Warning, Maximum Weight
15		2	Break-Thru Plug	ns	75623	1	Label – Warning, Read Manual
16		2	1/4 Retainer	ns	11100	1	Label – Warning, Rear Camera
Item 4 75624 Transmission Enclosure Cover Kit							
18		1	Transmission Enclosure Cover	19		6	3/16 x .354 Rivet
Item 5 75625 Transmission Kit							
20		1	Transmission 14.5:1	22		4	1/4-20 x 1/2 Serrated Flange SS
21		1	Motor Drive Coupler				
Item 6 75418 Motor Kit							
23		2	#10-32 x 5/8 Serrated Hex Cap Screw	25		1	Motor Connector Adapter
24		1	3 x 3.8 12V DC Motor				
ns = not shown				SS = Stainless Steel			

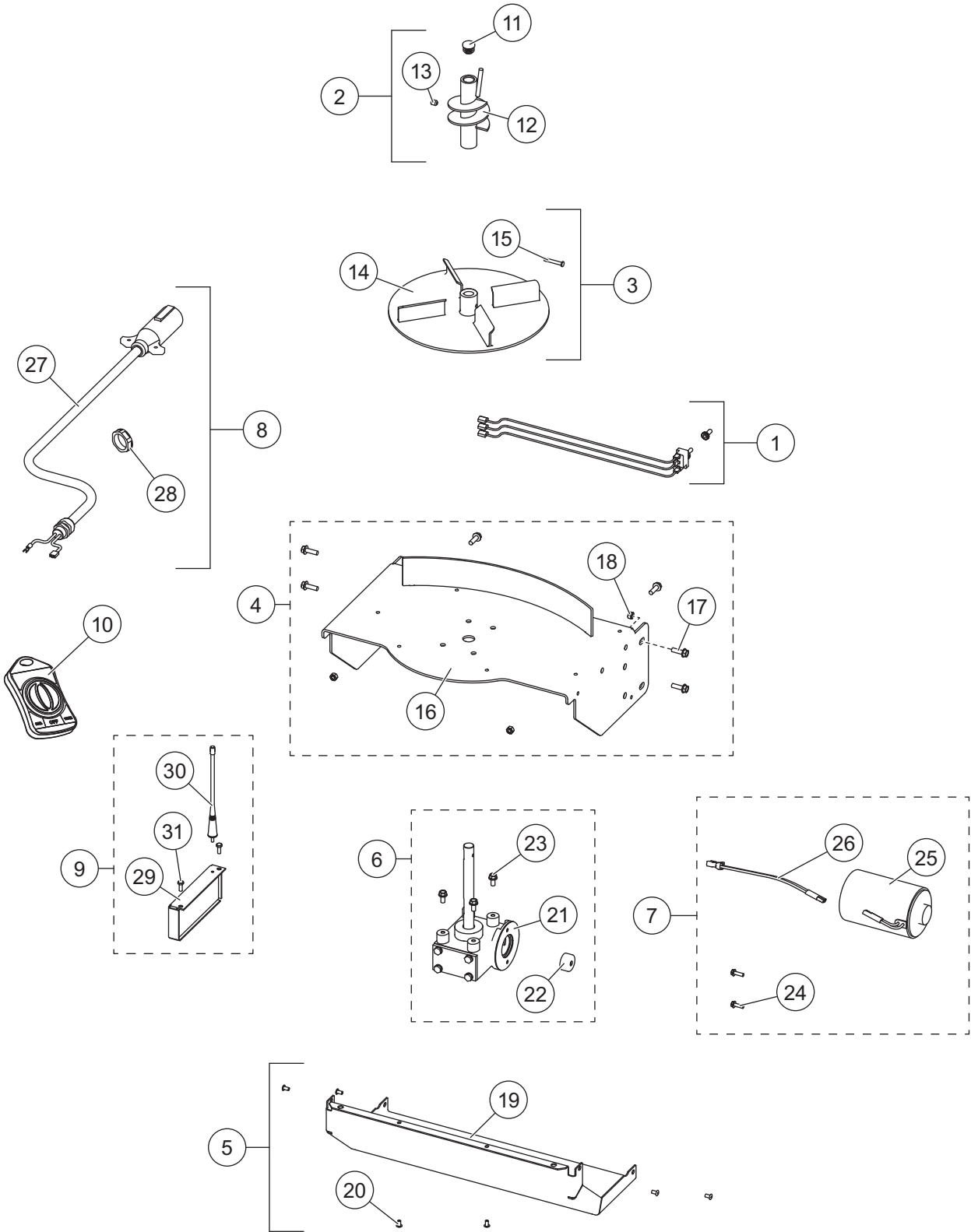
MODEL SP-225-1 SPREADER CONTROL HARNESS KIT



75424 Spreader Control Harness Kit							
Item	Part	Qty	Description	Item	Part	Qty	Description
1		1	ON/OFF Switch	3		1	Wiring Harness
2		1	Rubber Switch Boot	4		1	25A Breaker

SP-225-1 & SR-210 LOW-PROFILE TAILGATE SPREADER

MODEL SR-210 DRIVE COMPONENTS



SP-225-1 & SR-210 LOW-PROFILE TAILGATE SPREADER

Model SR-210 Drive Components							
Item	Part	Qty	Description	Item	Part	Qty	Description
1	75568	1	Switch Assembly w/Cover	6	75625	1	Transmission Kit
2	75615	1	Auger Kit	7	75565	1	Motor Kit
3	75618	1	Spinner Kit	8	75566	1	7-Way Spreader Harness Kit
4	75628	1	Transmission Enclosure Kit	9	75564	1	Wireless Spreader Control Kit
5	75624	1	Transmission Enclosure Cover Kit	10	75562‡	1	Wireless Key Fob Control
Item 2 75615 Auger Kit							
11		1	Auger Cap	13		1	5/16-18 x 3/8 Set Screw
12		1	Auger				
Item 3 75618 Spinner Kit							
14		1	Spinner, Poly	15		1	3/16 x 1-1/4 Clevis Pin
Item 4 75628 Transmission Enclosure Kit							
16		1	Transmission Mount	ns	75621	1	Label – Warning, Hands & Feet
17		6	5/16-18 x 1 Serrated Hex Cap Screw	ns	75622	1	Label – Warning, Maximum Weight
18		4	5/16-18 Serrated Flange Nut	ns	75623	1	Label – Warning, Read Manual
ns	11100	1	Label – Warning, Rear Camera				
Item 5 75624 Transmission Enclosure Cover Kit							
19		1	Transmission Enclosure Cover	20		6	3/16 x .354 Rivet
Item 6 75625 Transmission Kit							
21		1	Transmission 14.5:1	23		4	1/4-20 x 1/2 Serrated Flange SS
22		1	Motor Drive Coupler				
Item 7 75565 Motor Kit							
24		2	#10-32 x 5/8 Serrated Hex Cap Screw	26		1	Motor Connector Adapter
25		1	3 x 3.8 12V DC Motor				
Item 8 75566 7-Way Spreader Harness Kit							
27		1	7-Way Spreader Harness	28		1	1/2 Black Nylon NPT Nut
Item 9 75564 Wireless Spreader Control Kit							
29		1	Wireless Spreader Control	31		2	#10-32 x 1/2 Hex Cap Screw
30	75634	1	Antenna				
ns = not shown				SS = Stainless Steel			

‡ = Uses CR2032 battery or equivalent

SP-225-1 & SR-210 LOW-PROFILE TAILGATE SPREADER



TrynEx International, LLC
531 Ajax Drive
Madison Heights, MI 48071-2429
www.snowexproducts.com

 A DIVISION OF DOUGLAS DYNAMICS, LLC

Copyright © 2018 Douglas Dynamics, LLC. All rights reserved. This material may not be reproduced or copied, in whole or in part, in any printed, mechanical, electronic, film, or other distribution and storage media, without the written consent of TrynEx International, LLC. Authorization to photocopy items for internal or personal use by TrynEx International outlets or spreader owner is granted.

TrynEx International reserves the right under its product improvement policy to change construction or design details and furnish equipment when so altered without reference to illustrations or specifications used. TrynEx International or the vehicle manufacturer may require or recommend optional equipment for spreaders. Do not exceed vehicle ratings with a spreader. TrynEx International offers a limited warranty for all spreaders and accessories. See separately printed page for this important information. The following is a registered (®) trademark of Douglas Dynamics, LLC: SnowEx®.

Printed in U.S.A.