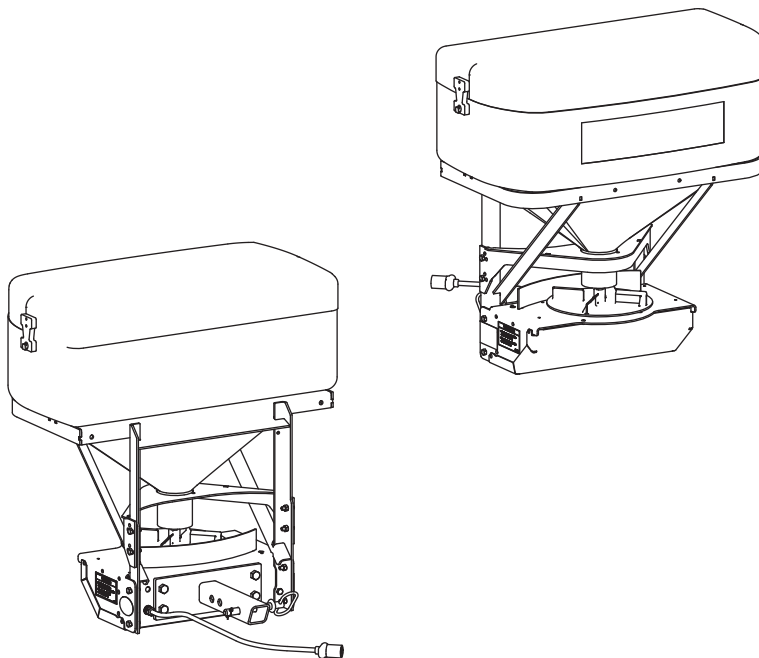


# **SNOWEX**<sup>®</sup>

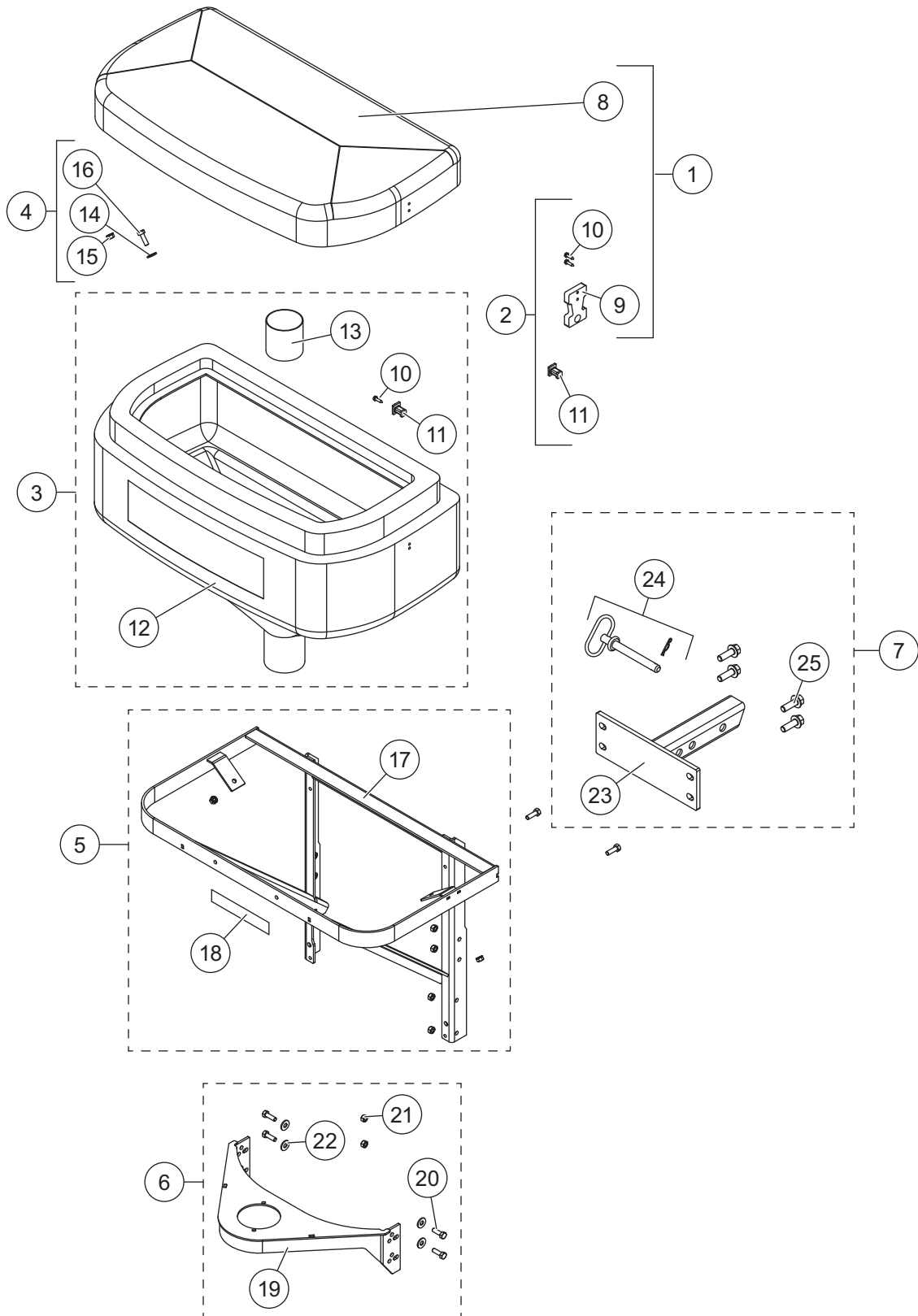
LEADERS IN ICE CONTROL

## **SP-325, SP-575X, SP-1075X** **Single-Stage Tailgate Spreaders** **Parts List**



This Parts List is for SnowEx single-stage tailgate spreaders with serial numbers 140502300135 and higher (Model SP-325), 140718300683 and higher (Model SP-575X) and 140722300276 and higher (Model SP-1075X).

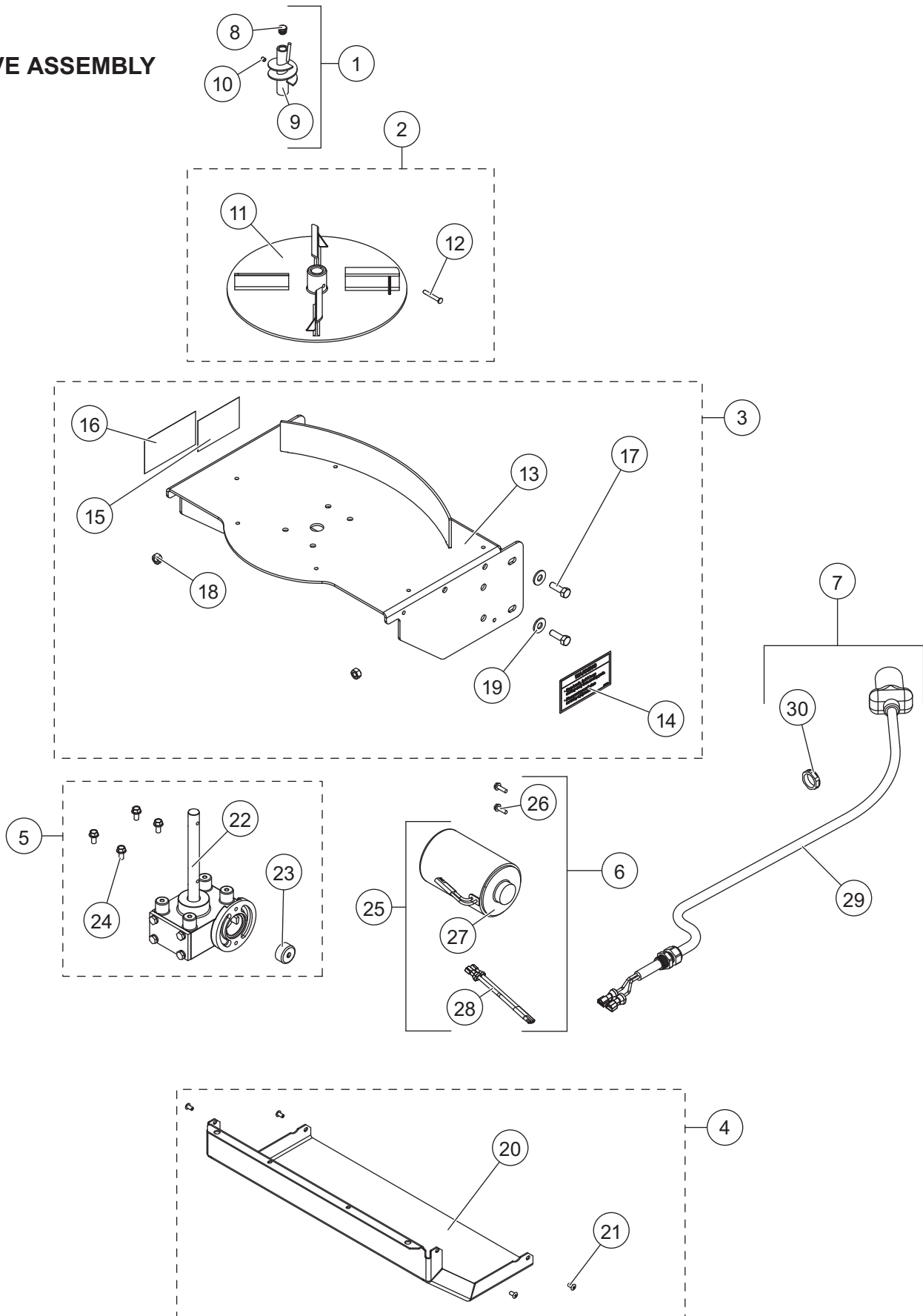
HOPPER AND FRAME ASSEMBLY





www.storksplows.com  
SP-325 TAILGATE SPREADER

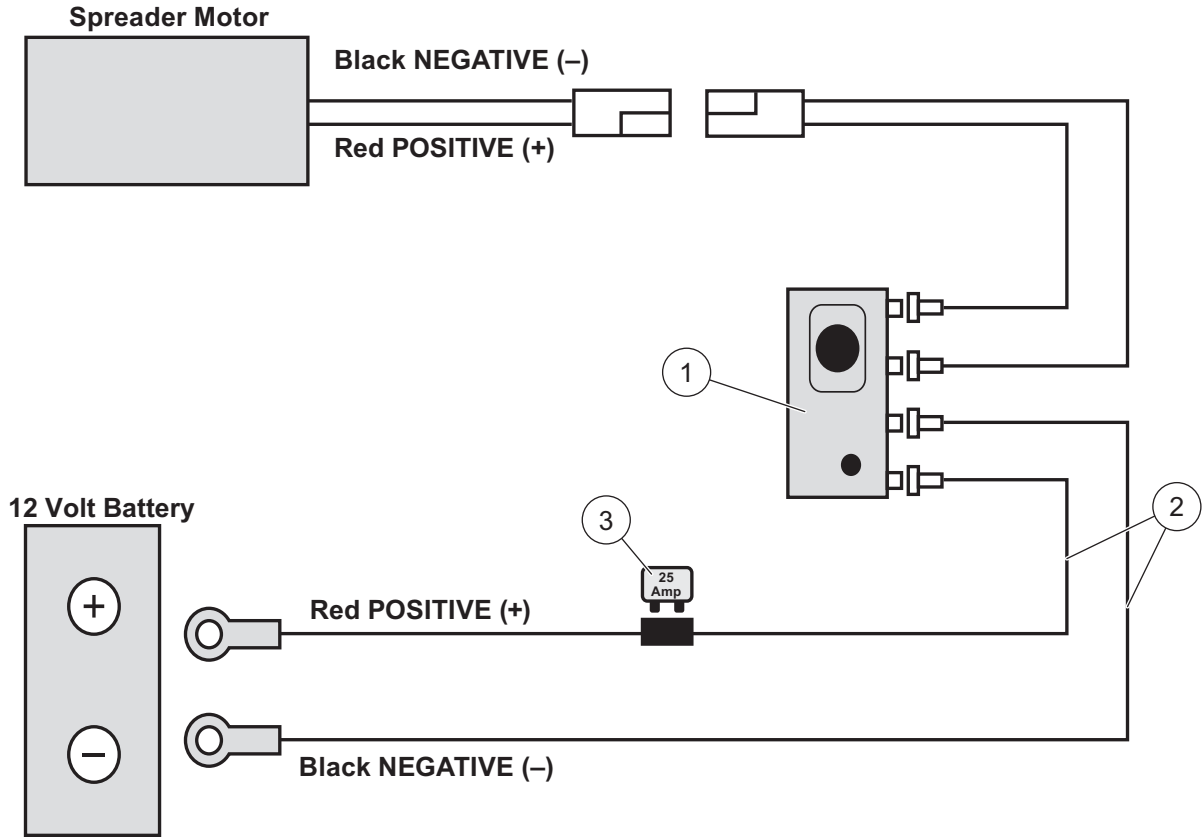
DRIVE ASSEMBLY



**www.storksplows.com**  
**SP-325 TAILGATE SPREADER**

<b>75697 Drive Assembly</b>							
<b>Item</b>	<b>Part</b>	<b>Qty</b>	<b>Description</b>	<b>Item</b>	<b>Part</b>	<b>Qty</b>	<b>Description</b>
1	75615	1	Auger Kit	5	75625	1	Transmission Kit
2	75618	1	Spinner Kit	6	75626	1	Motor Kit
3	75628	1	Transmission Enclosure Kit	7	75627	1	Power Cable Kit
4	75624	1	Transmission Enclosure Cover Kit				
<b>Item 1 75615 Auger Kit</b>							
8	D6191	1	Auger Cap	10	D6140	1	5/16-18 x 3/8 Set Screw
9	D6075	1	Auger				
<b>Item 2 75618 Spinner Kit</b>							
11	D6750	1	Spinner, Poly	12	D6746	1	3/16 x 1-1/4 Clevis Pin
<b>Item 3 75628 Transmission Enclosure Kit</b>							
13		1	Transmission Mount	17		4	5/16-18 x 1 Hex Cap Screw
14	75621	1	Label, Warning – Hands & Feet	18		4	5/16-18 Serrated Flange Nut
15	75622	1	Label, Warning – Maximum Weight	19		4	5/16 Flat Washer
16	75623	1	Label, Warning – Read Manual				
<b>Item 4 75624 Transmission Enclosure Cover Kit</b>							
20	75813	1	Transmission Enclosure Cover	21		6	Rivet 3/16 x .354
<b>Item 5 75625 Transmission Kit</b>							
22	D6715	1	Transmission 14.5:1	24		4	1/4-20 x 1/2 Serrated Flange SS
23	D6232	1	Motor Drive Coupler				
<b>Item 6 75626 Motor Kit</b>							
26		2	10-32 x 5/8 Hex Cap Screw Serrated	28	D6652	1	Motor Connector Adapter
27	D6214	1	3 x 3.8 12 V DC Motor				
<b>Item 25 D6106 3 x 3.8 12V DC Motor w/2-Pin Connector</b>							
27	D6214	1	3 x 3.8 12 V DC Motor	28	D6652	1	Motor Connector Adapter
<b>Item 7 75627 Power Cable Kit</b>							
29	D6162	1	26-1/2 Power Cable	30	D6781	1	1/2" NPT Nut Black Nylon

ELECTRICAL COMPONENTS

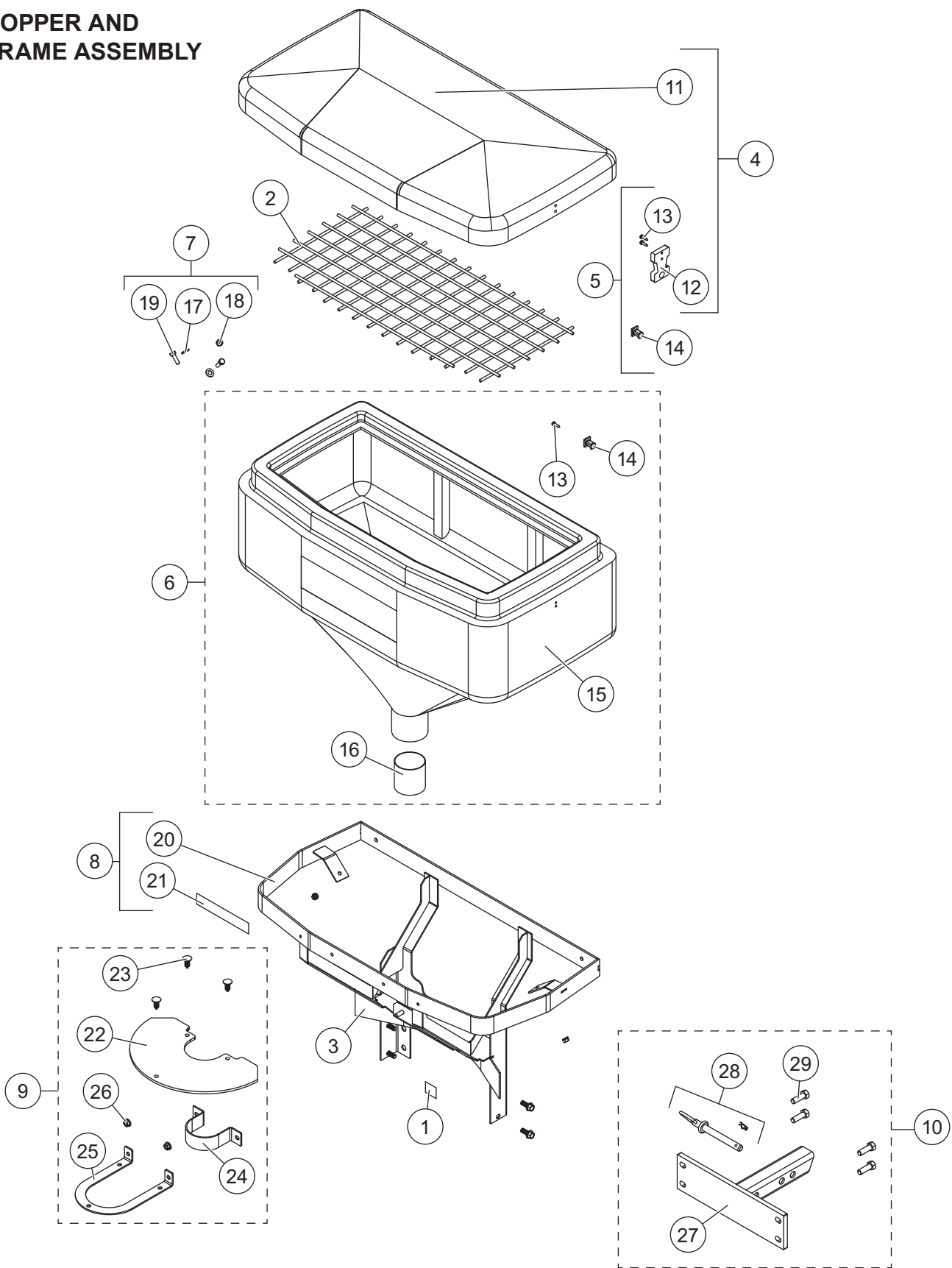


**www.storksplows.com**  
**SP-325 TAILGATE SPREADER**

---

Electrical Components, SP-325							
Item	Part	Qty	Description	Item	Part	Qty	Description
1	D6474	1	Mini Control	3	D6748	1	25 Amp Breaker
2	D6486	1	Harness, SP-325				

HOPPER AND  
FRAME ASSEMBLY

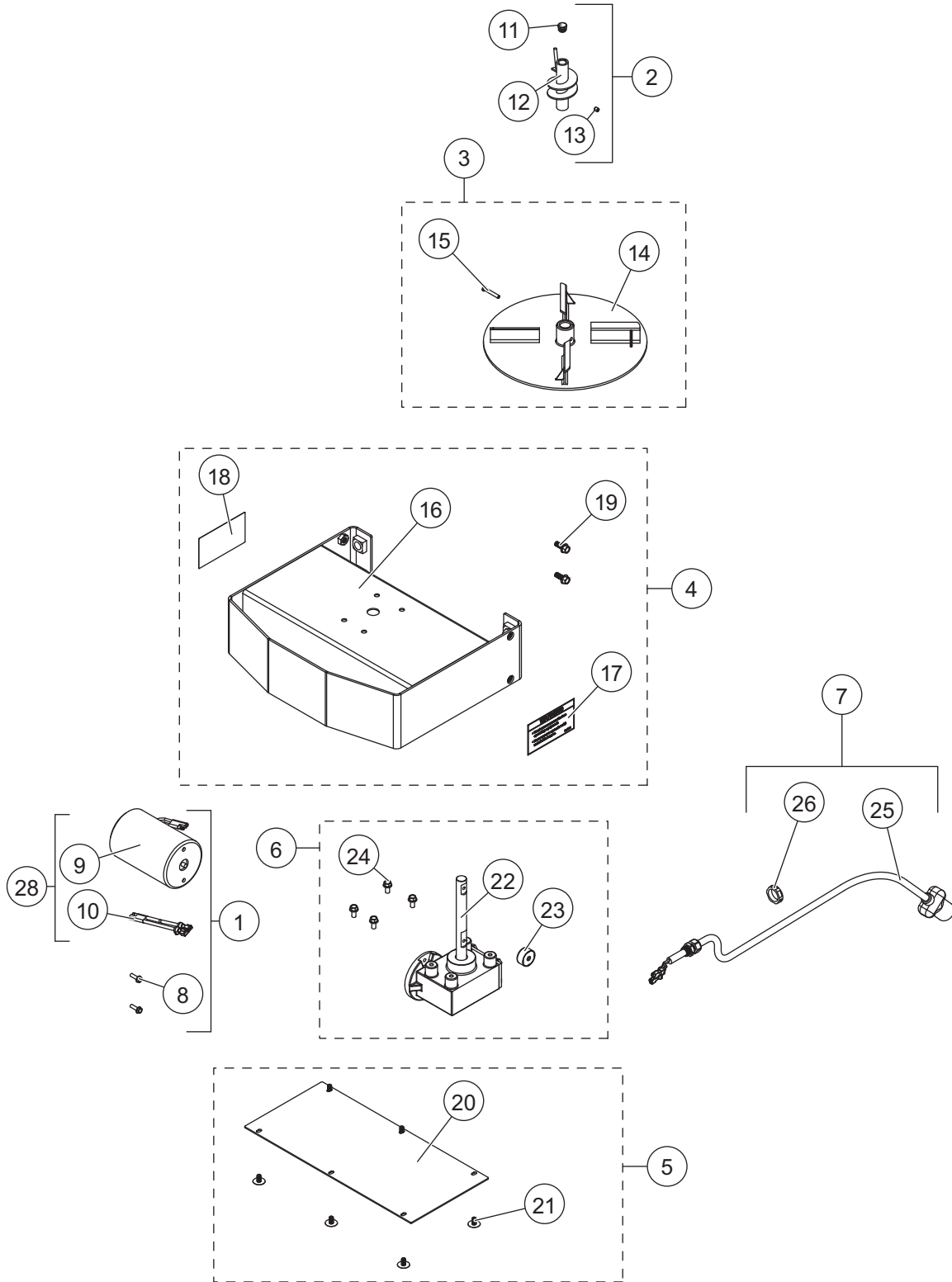




**www.storksplows.com**  
**SP-575X TAILGATE SPREADER**

<b>Hopper and Frame Assembly</b>							
<b>Item</b>	<b>Part</b>	<b>Qty</b>	<b>Description</b>	<b>Item</b>	<b>Part</b>	<b>Qty</b>	<b>Description</b>
1	F50674	1	Label, Die Cut "X"	6	75631	1	Hopper Kit, SP-575X
2	75636	1	Top Screen, SP-575X	7	75614	1	Hopper Hardware Kit
3	75646	1	Deflector	8	75632	1	Frame Kit, SP-575X
4	75630	1	Lid Kit, SP-575X	9	75639	1	CE Shroud Kit
5	75612	1	Hopper Strap Kit	10	75633	1	Receiver Kit, SP-575X
<b>Item 4</b>				<b>75630 Lid Kit, SP-575X</b>			
11		1	Hopper Lid, SP-575X	13		4	10 x 3/4 Slotted Cap Screw
12		2	Flexible Draw Latch				
<b>Item 5</b>				<b>75612 Hopper Strap Kit</b>			
12	D6105	2	Flexible Draw Latch	14	D6198	2	Latch Keeper
13		6	10 x 3/4 Slotted Cap Screw				
<b>Item 6</b>				<b>75631 Hopper Kit, SP-575X</b>			
15		1	Hopper, SP-575X	14		2	Latch Keeper
16		1	Throat Liner, Stainless Steel	13		2	10 x 3/4 Slotted Cap Screw
<b>Item 7</b>				<b>75614 Hopper Hardware Kit</b>			
17		2	3/8 Flat Washer	19		2	5/16-18 x 1-1/4 Hex Cap Screw
18		2	5/16-18 Hex Locknut GB				
<b>Item 8</b>				<b>75632 Frame Kit, SP-575X</b>			
20		1	Main Frame, SP-575X	21	D6186	1	Label, Die Cut – Mini Pro 575
<b>Item 9</b>				<b>75639 CE Shroud Kit</b>			
22		1	CE Shroud Tailgate	25		1	Mount Bracket, Shroud
23		3	11mm X 28mm X 22mm Retainer	26		2	3/8-16 Serrated Flange Nut
24		1	Throat Clamp				
<b>Item 10</b>				<b>75633 Receiver Kit, SP-575X</b>			
27		1	Mount, Receiver	29		4	1/2-13 x 1-1/2 Serrated Flange
28	75620	1	5/8 x 5-1/2 Hitch Pin w/Hairpin Cotter				
ns = not shown				G = Grade			

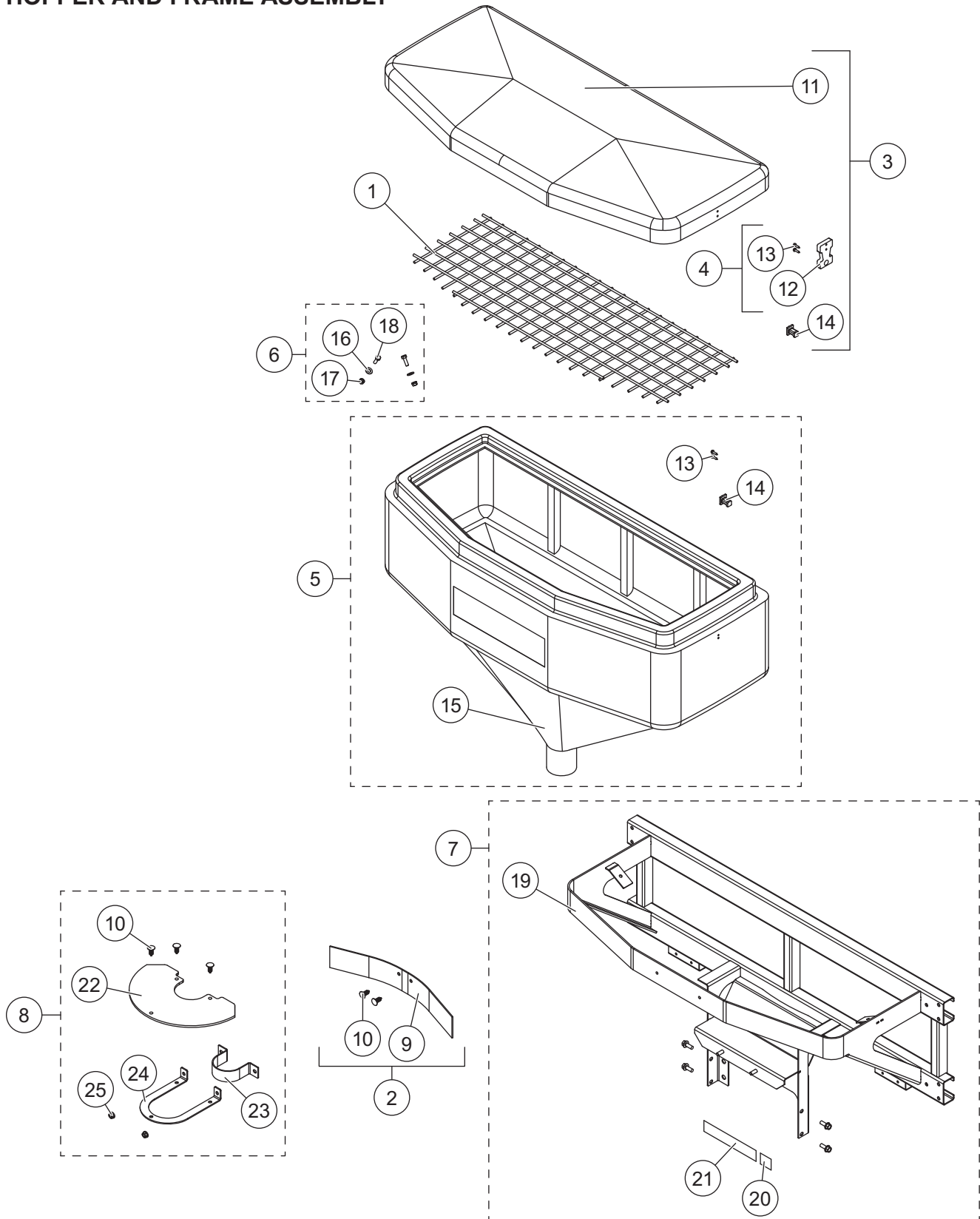
DRIVE ASSEMBLY



**www.storksplows.com**  
**SP-575X TAILGATE SPREADER**

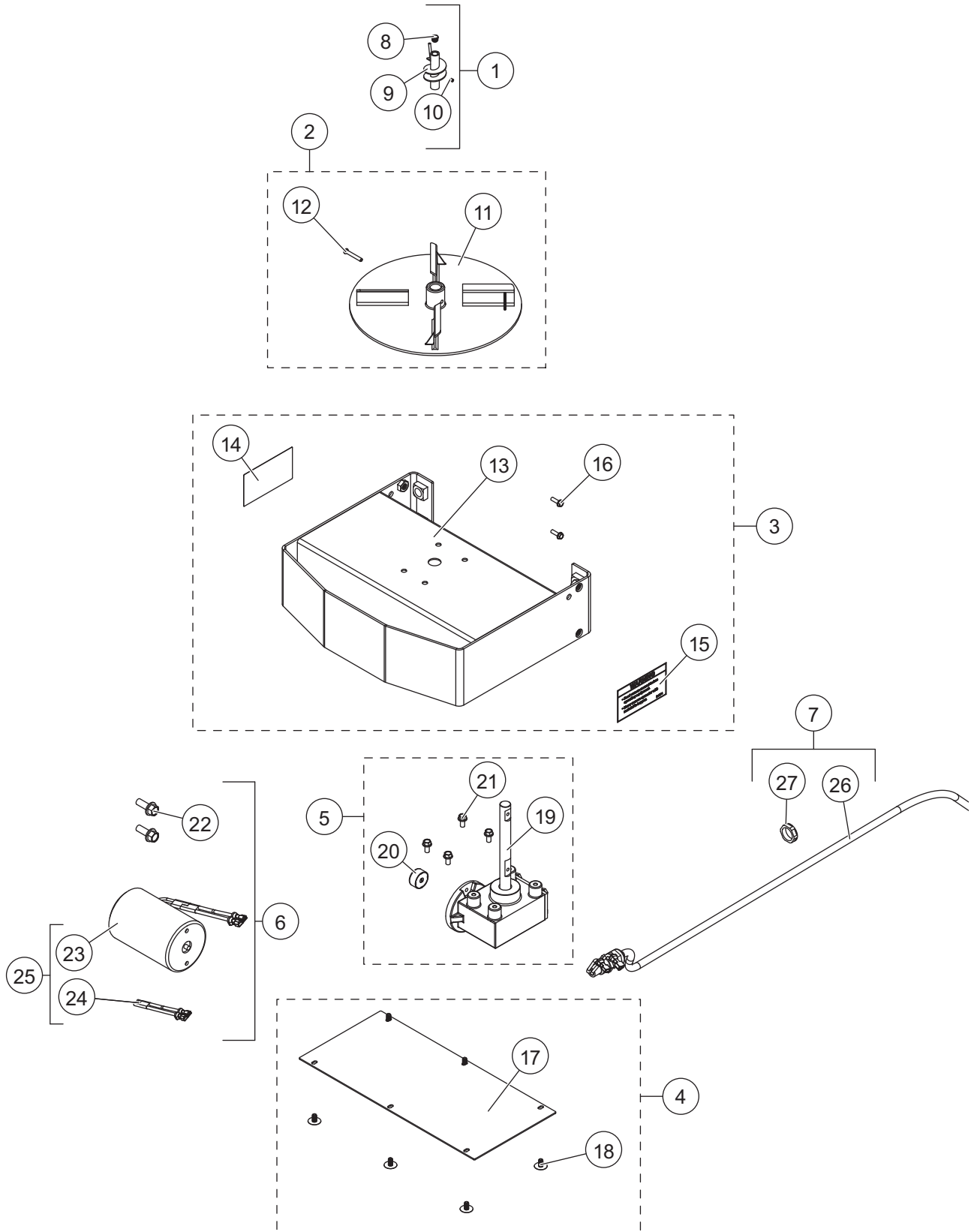
<b>75698 Drive Assembly</b>							
<b>Item</b>	<b>Part</b>	<b>Qty</b>	<b>Description</b>	<b>Item</b>	<b>Part</b>	<b>Qty</b>	<b>Description</b>
1	75626	1	Motor Kit	5	75640	1	Transmission Kit
2	75615	1	Auger Kit	6	75618	1	Spinner Kit
3	75635	1	Transmission Enclosure Kit	7	75627	1	Power Cable Kit
4	75641	1	Transmission Enclosure Cover Kit				
<b>Item 1</b>				<b>75626 Motor Kit</b>			
8		2	10-32 x 5/8 Hex Cap Screw Serrated	10	D6652	1	Motor Connector Adapter
9	D6214	1	3 x 3.8 12 V DC Motor				
<b>Item 28</b>				<b>D6106 3 x 3.8 12V DC Motor w/2-Pin Connector</b>			
9	D6214	1	3 x 3.8 12 V DC Motor	10	D6652	1	Motor Connector Adapter
<b>Item 2</b>				<b>75615 Auger Kit</b>			
11	D6191	1	Auger Cap	13		1	5/16-18 x 3/8 Set Screw
12	D6075	1	Auger				
<b>Item 3</b>				<b>75618 Spinner Kit</b>			
14	D6750	1	Spinner, Poly	15	D6746	1	3/16 x 1-1/4 Clevis Pin
<b>Item 4</b>				<b>75635 Transmission Enclosure Kit</b>			
16		1	Enclosure, Spinner Drive	18	75623	1	Label, Warning – Read Manual
17	75621	1	Label, Warning – Hands & Feet	19		4	3/8-16 x 1 Hex Cap Screw Serrated
<b>Item 5</b>				<b>75641 Transmission Enclosure Cover Kit</b>			
20		1	Spinner Drive Enclosure Cover	21		6	1/4 x 3/4 x 1/2 Retainer Black Nylon
<b>Item 6</b>				<b>75640 Transmission Kit</b>			
22	D6107	1	Transmission 8:1	24		4	1/4-20 x 1/2 Serrated Flange SS
23	D6232	1	Motor Drive Coupler				
<b>Item 7</b>				<b>75627 Power Cable Kit</b>			
25	D6162	1	26-1/2 Power Cable	26		1	1/2" NPT Nut Black Nylon
ns = not shown				G = Grade			

HOPPER AND FRAME ASSEMBLY



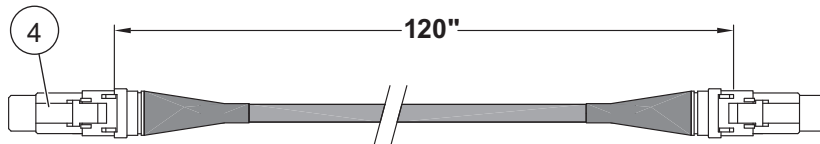
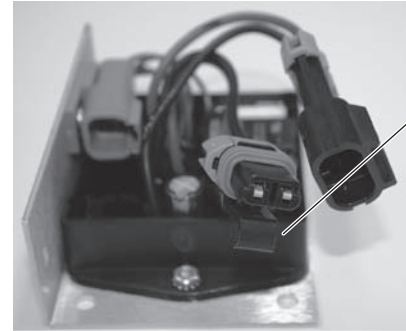
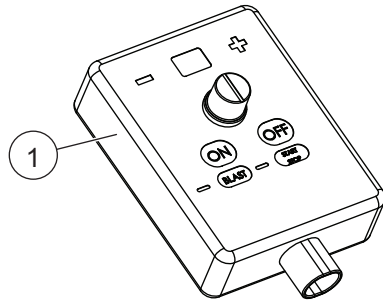


DRIVE ASSEMBLY

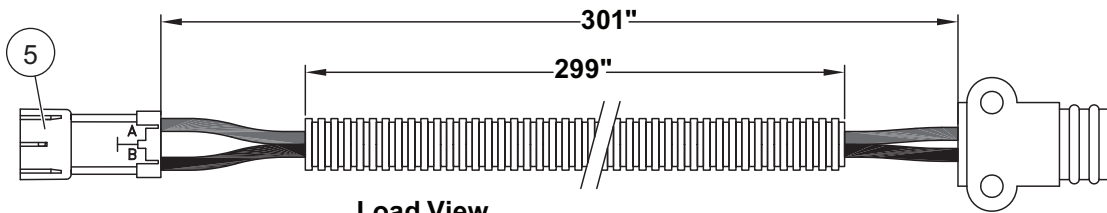
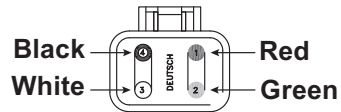




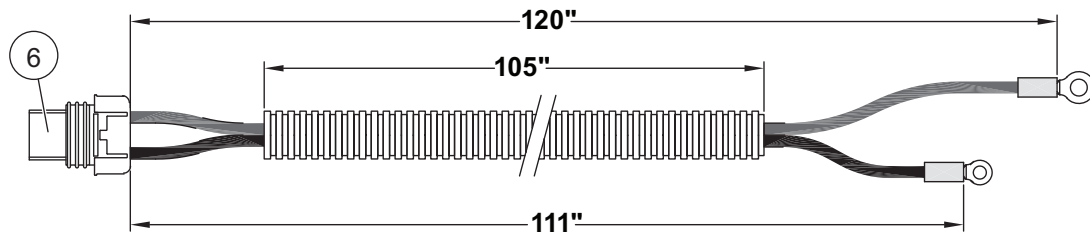
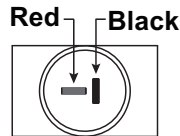
ELECTRICAL COMPONENTS



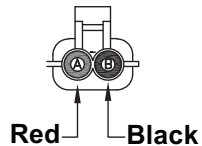
Load View



Load View



Load View





**SP-575X/1075X TAILGATE SPREADER**

Electrical Components							
Item	Part	Qty	Description	Item	Part	Qty	Description
1	F50607	1	Control Pendant	3	F50869	1	Harness Kit
2	F50576	1	Control Module				
<b>Item 3</b>				<b>50869 Harness Kit</b>			
4	F50578	1	Data Cable	6	F50580	1	Battery Harness
5	F50579	1	Vehicle Harness				



531 Ajax Drive  
Madison Heights, MI 53224-9538  
[www.snowexproducts.com](http://www.snowexproducts.com)

 A DIVISION OF DOUGLAS DYNAMICS, LLC

Copyright © 2014 Douglas Dynamics, LLC. All rights reserved. This material may not be reproduced or copied, in whole or in part, in any printed, mechanical, electronic, film or other distribution and storage media, without the written consent of TrynEx International. Authorization to photocopy items for internal or personal use by TrynEx International outlets or spreader owner is granted.

TrynEx International reserves the right under its product improvement policy to change construction or design details and furnish equipment when so altered without reference to illustrations or specifications used. TrynEx International or the vehicle manufacturer may require or recommend optional equipment for spreaders. Do not exceed vehicle ratings with a spreader. TrynEx International offers a limited warranty for all spreaders and accessories. See separately printed page for this important information. The following are registered (®) or unregistered (™) trademarks of Douglas Dynamics, LLC: SnowEx®, TrynEx®.

Printed in U.S.A.