



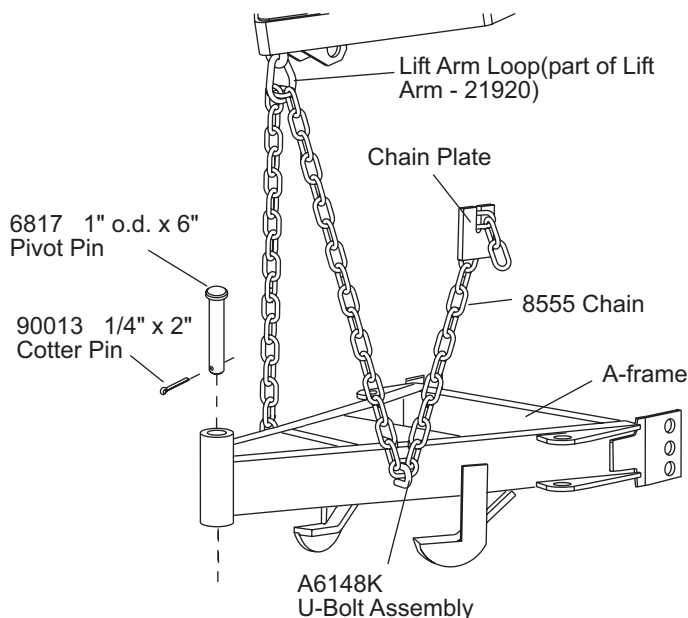
Fisher Engineering

P.O. Box 529 Rockland, Maine 04841

**22168
HD**

April 15, 1998
No. 22227

A-frame Kit for 8' or 9' "HD" Blades Parts List and Diagram



A-frame Kit 8' or 9' "HD" – 22168			
Ref #	Part #	Qty	Description
	*	1	A-frame
-	8555	1	Chain 5/16" x 108"
ns	8238	1	Bolt Bag
* available as part of service kit only			
ns = not shown			

U-Bolt Assembly – A6148K		
Part #	Qty	Description
90453	1	3/8-16 U-Bolt Gr. 5
90361	2	3/8" Lock Washer
90334	2	3/8-16 Nut

Bolt Bag – 8238			
Ref #	Part #	Qty	Description
	*	2	3/8-16 U-bolt
-	6817	1	1" o.d. x 6" Pivot Pin
-	90013	1	1/4" x 2" Cotter Pin
-	90361	4	3/8" Lock Washer
-	90334	4	3/8-16 Nut
* available as part of service kit only			

Fisher Engineering reserves the right under its product improvement policy to change construction or design details and furnish equipment when so altered without reference to illustrations or specifications used herein. Fisher Engineering and the vehicle manufacturer may require and/or recommend optional equipment for snow removal. Fisher Engineering offers a limited warranty for all snowplows, spreaders and accessories. See separately printed page for this important information. The following are registered (®) and unregistered (™) trademarks of Douglas Dynamics, L.L.C.: FISHER®