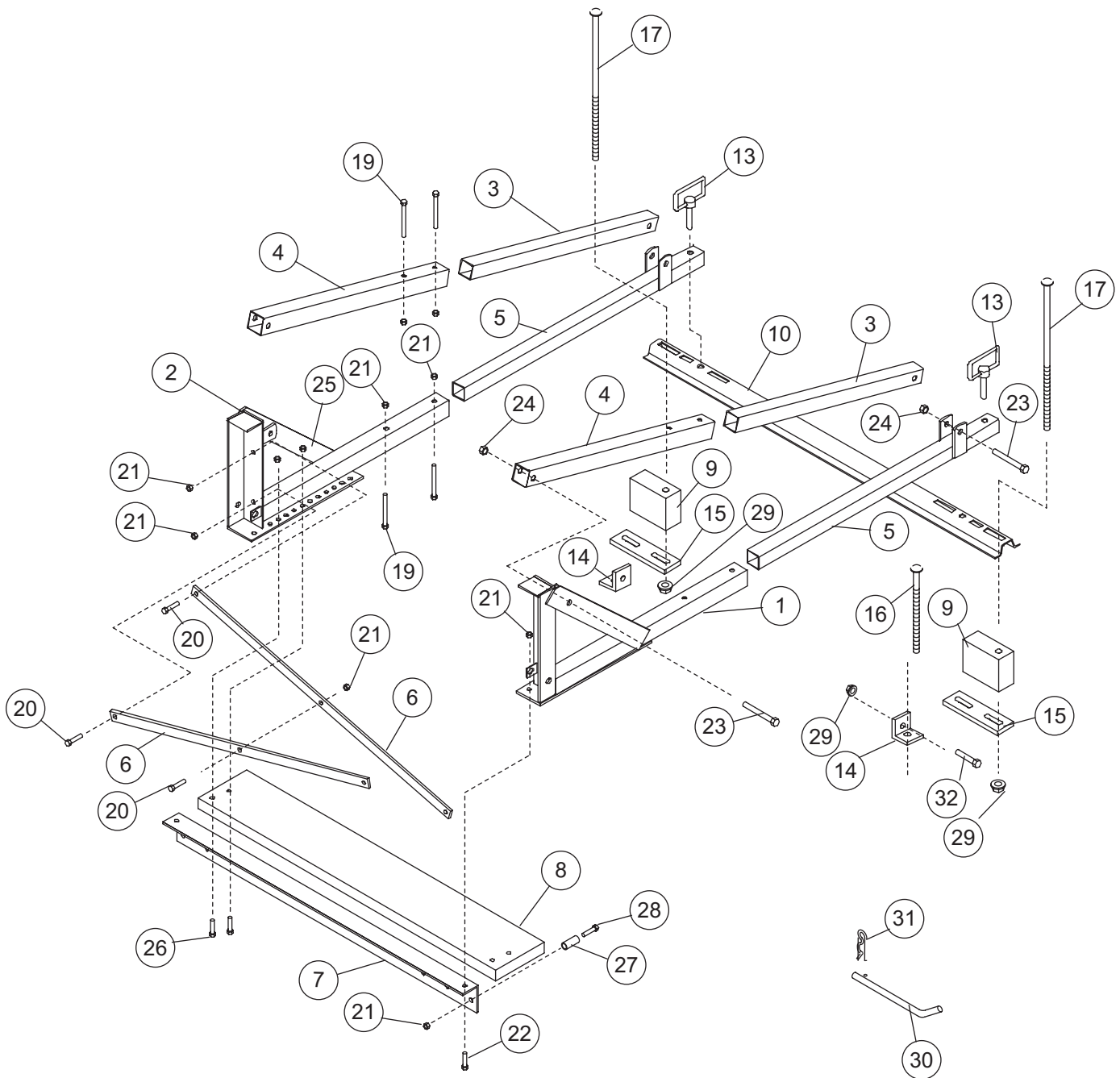


IN-BED MOUNT ASSEMBLY

65530

Parts List

February 1, 2008
Lit. No. 68689, Rev. 03



65530 In-Bed Frame Mount Assembly							
Item	Part	Qty	Description	Item	Part	Qty	Description
1	65532	1	Truss – PS	7	65557	1	Back Angle
2	65531	1	Truss – DS	8	65477	1	Wood Block 1 x 6 x 34
3	65542	2	Telescope – Top	9	65562	2	Wood Block 2 x 3.5 x 4.5
4	65548	2	Top Tube	10	65554	1	Channel
5	65541	2	Telescope – Bottom	ns	65559	1	Small Parts Box
6	65547	2	Cross Brace	ns	65549	1	Parts Bag
65549 Parts Bag							
13	65563	2	Hold Down Bolt	24	91335	4	1/2-13 Hex Locknut GB
14	65560	2	Angle Bracket	25	91377	4	3/8-16 Serrated Flange Hex Locknut
15	65558	2	Strap	26	90203	4	3/8-16 x 1-1/2 Carriage Bolt G5
16	90251	2	1/2-13 x 6-1/2 Carriage Bolt G5	27	61487	2	Spacer .56 OD x .39 ID x .965
17	90258	4	1/2-13 x 14 Carriage Bolt G5	28	90926	2	3/8-16 x 2 Socket Head Cap Screw SS
19	91187	8	3/8-16 x 2-1/2 Hex Cap Screw G8	29	91381	4	1/2-13 Flange Hex Locknut GF
20	66456	5	3/8-16 x 1-1/4 Hex Cap Screw G5	30	93033	2	1/2 x 5-1/2 Pin
21	91333	17	3/8-16 Hex Locknut	31	91962	2	1/8 Hairpin Cotter
22	66439	2	3/8-16 x 1-1/2 Hex Cap Screw G5	32	90217	2	1/2-13 x 2 Hex Cap Screw G5
23	90105	4	1/2-13 x 3 Hex Cap Screw G5				
ns = not shown			G = Grade			SS = Stainless Steel	

Copyright © 2008 Douglas Dynamics, L.L.C. All rights reserved. This material may not be reproduced or copied, in whole or in part, in any printed, mechanical, electronic, film or other distribution and storage media, without the written consent of the company. Authorization to photocopy items for internal or personal use by the company's outlets or spreader owner is granted.

The company reserves the right under its product improvement policy to change construction or design details and furnish equipment when so altered without reference to illustrations or specifications used. This equipment manufacturer or the vehicle manufacturer may require or recommend optional equipment for spreaders. Do not exceed vehicle ratings with a spreader. The company offers a limited warranty for all spreaders and accessories. See separately printed page for this important information.

Printed in U.S.A.