



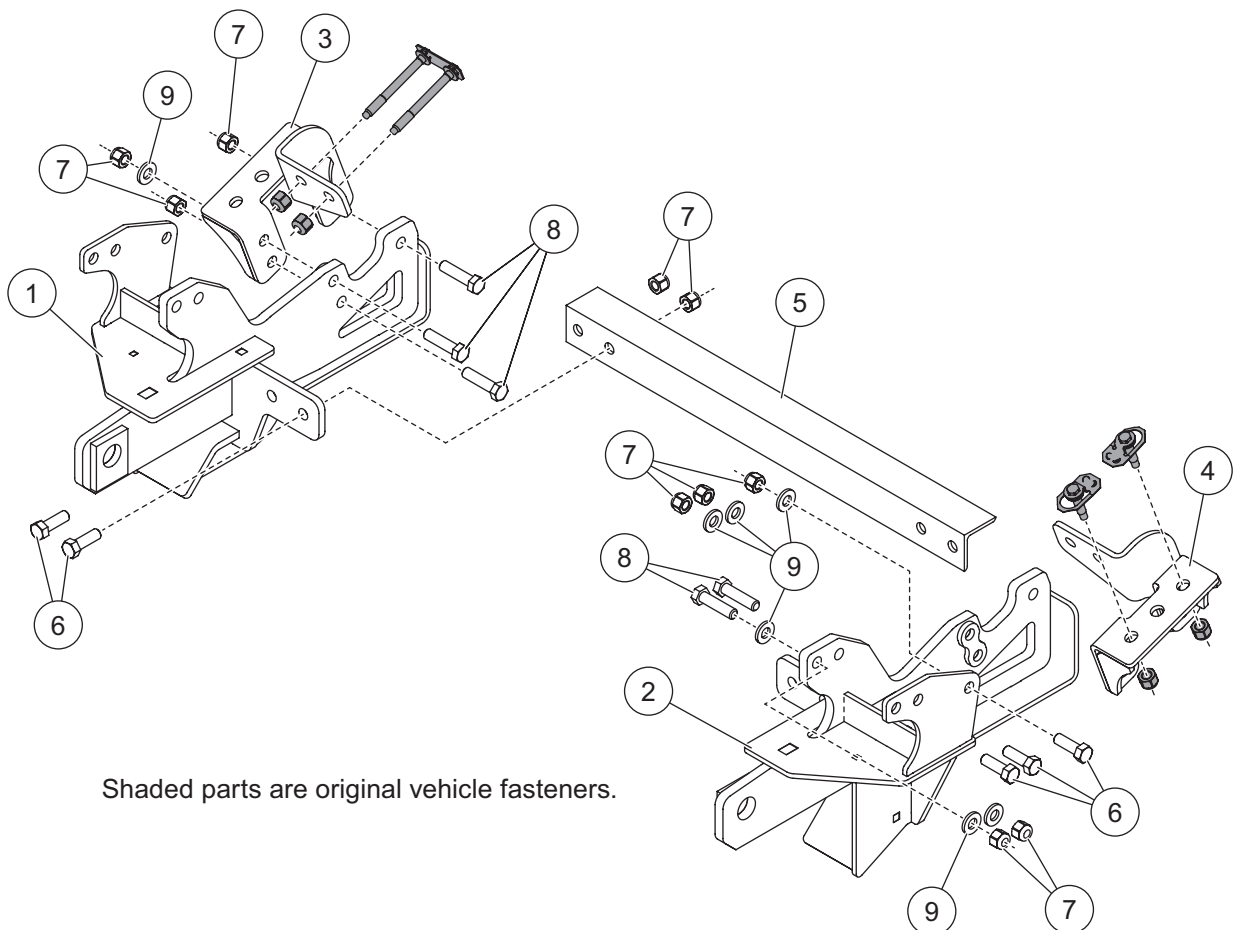
Minute² SYSTEM

MOUNT KIT

Ford Super Duty F-350/450
Diesel Dual Rear Wheel Pickup

2020-__

Parts List



Shaded parts are original vehicle fasteners.

77114

77114 Mount Kit							
Item	Part	Qty	Description	Item	Part	Qty	Description
1	80092	1	Mount PS	4	52714	1	Rear Bracket DS
2	80091	1	Mount DS	5	64759	1	Cross Bar
3	51778	1	Rear Bracket PS	ns	70531	1	Bolt Bag
70531 Bolt Bag							
6		10	1/2-13 x 1-1/2 Hex Cap Screw G5	8		10	1/2-13 x 2 Hex Cap Screw G5
7		24	1/2-13 Hex Locknut GB	9		14	1/2 Hardened Flat Washer Type 1
ns = not shown				G = Grade			

Copyright © 2020 Douglas Dynamics, LLC. All rights reserved. This material may not be reproduced or copied, in whole or in part, in any printed, mechanical, electronic, film or other distribution and storage media, without the written consent of Fisher Engineering. Authorization to photocopy items for internal or personal use by Fisher Engineering outlets or snowplow owner is granted.

Fisher Engineering reserves the right under its product improvement policy to change construction or design details and furnish equipment when so altered without reference to illustrations or specifications used. Fisher Engineering or the vehicle manufacturer may require or recommend optional equipment for snow removal. Do not exceed vehicle ratings with a snowplow. Fisher Engineering offers a limited warranty for all snowplows and accessories. See separately printed page for this important information. The following are registered (®) trademarks of Douglas Dynamics, LLC: FISHER®, Minute Mount® 2.

Printed in U.S.A.