



Drive Components

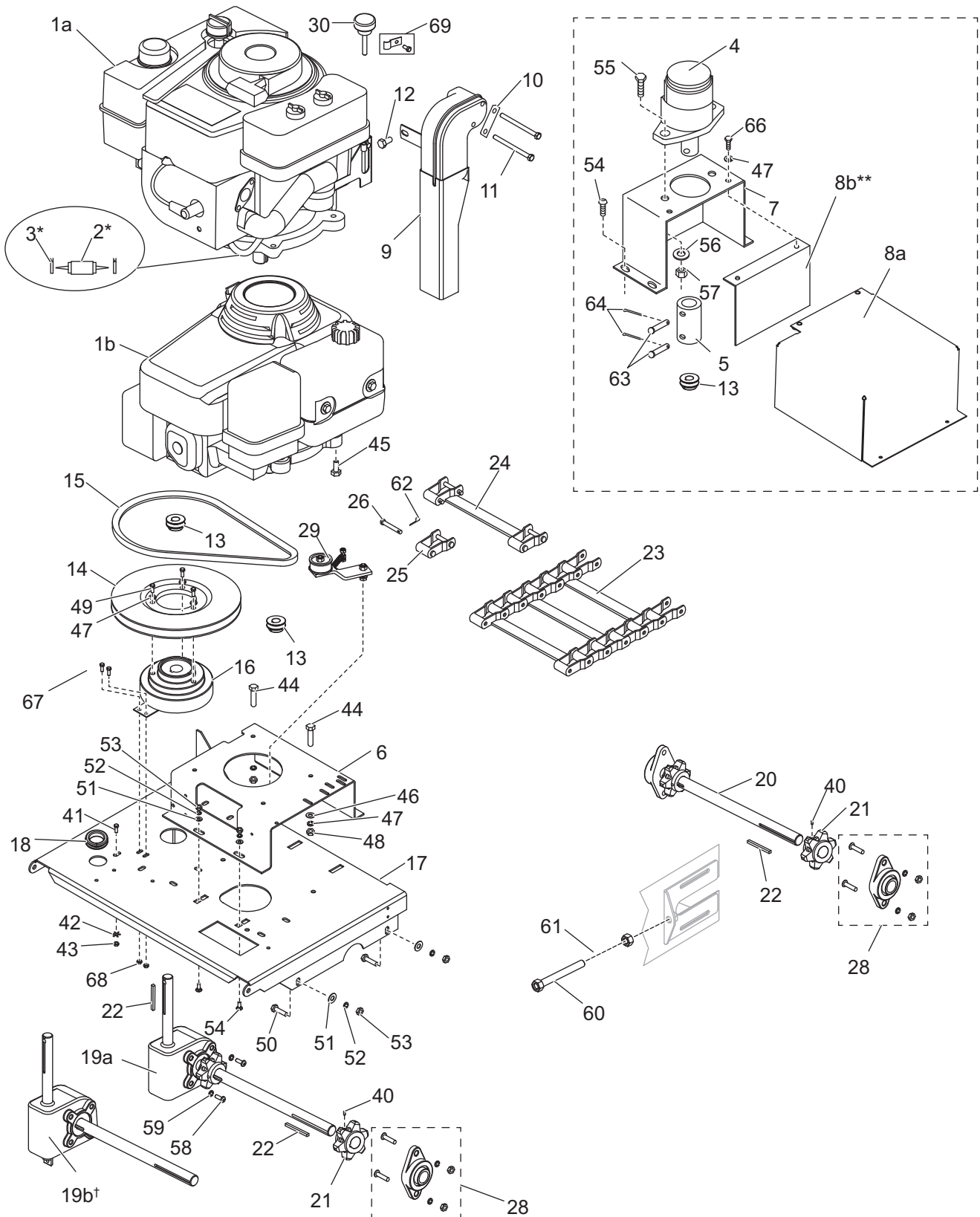
ICE BREAKER™ Hopper Spreader

Parts List

This Parts List is for WESTERN® ICE BREAKER Hopper Spreaders with serial numbers beginning with 0126-0608.

ICE BREAKER™ HOPPER SPREADER

DRIVE COMPONENTS



ICE BREAKER™ HOPPER SPREADER

Drive Components							
Item	Part	Qty	Description	Item	Part	Qty	Description
1a	68805	1	10 hp Tecumseh Engine	20	94351	1	Idler Shaft
1b	94535	1	11 hp Honda Engine	21	65909	4	Sprocket, 6T
2	*	1	Inline Fuel Filter	22	65174	5	Machine Key, 1/4 sq x 1-1/2
3	*	2	Hose Clamp	23	94898	1	Conveyor Chain 7' (108 links)
4	68396	1	Hydraulic Motor		68474	1	Conveyor Chain 8' (123 links)
5	68402	1	Coupling		95361	1	Conveyor Chain 9' (138 links)
6	68940-1	1	Engine Mount		68435	1	Conveyor Chain 10' (150 links)
7	68397	1	Mount, Hydraulic Motor	24	68492	AR	Conveyor Repair Bar w/Pins and Cotters
8a	95472	1	Motor Mount Front Cover	25	68475	AR	Conveyor Repair Link w/Pins and Cotters
8b**	68470	2	Motor Mount Front Cover				
9	68855	1	Muffler (Tecumseh)	26	41743	AR	Conveyor Chain Pin w/Cotter
10	68847	1	Muffler Bolt Retainer	28	94953	3	Spreader Bearing Kit
11	68846	2	5/16-18 x 3 Hex Cap Screw G2	29	95568	1	Drive Belt Idler Kit
12	68848	1	1/4-20 x 5/8 Hex Cap Screw G5	30	95697	1	Choke Stop Assembly (Tecumseh)
13	94669	2	Pulley, Engine				
14	94670	1	Pulley, Clutch				
15	94691	1	V-Belt				
16	65212	1	Electric Clutch				
17	68941-1	1	Engine Base MS				
	94918-1	1	Engine Base SS				
18	65216	1	Rubber Grommet 1"				
19a	95567	1	Gear Case				
19b†	94349	1	Gear Case				
G = Grade		SS = Stainless Steel		MS = Mild Steel		AR = As Required	

* Not included on hoppers with serial numbers 0138 and higher. Items used on spreaders with serial numbers 0126–0137. For service, use PN 94945 Tecumseh Engine Fuel Line.

** For dual hydraulic chute drive.

† Used on hoppers with serial numbers 0401 and lower.

Drive Components – Hardware							
Item	Part	Qty	Description	Item	Part	Qty	Description
40	68480	4	1/4-20 x 3/8 Socket Set Screw	54	90375	4	3/8-16 x 1 Carriage Bolt
41	90381	1	1/4-20 x 3/4 Hex Cap Screw	55	68108	2	1/2-13 x 1-1/2 Hex Cap Screw
42	67083	1	1/4 External Lock Washer	56	68109	2	1/2 Flat Washer
43	91429	1	1/4-20 Hex Nut	57	67295	2	1/2-13 Hex Nut
44	90977	‡	5/16-18 x 1-1/2 Hex Cap Screw	58	68360	4	1/2-13 x 3/4 Button Cap Screw
45	94690	2	5/16-24 x 3/4 Hex Cap Screw (Honda engine only)	59	91284	4	1/2 Spring Lock Washer
46	90980	4	5/16 Flat Washer	60	65609	2	5/8-11 x 6 Take-Up Bolt SS
47	91276	7	5/16 Spring Lock Washer	61	91435	2	5/8-11 Hex Nut
48	91430	4	5/16-18 Hex Nut	62	91897	AR	3/32 x 1/2 Cotter Pin
49	93162	3	5/16-18 x 3/4 Hex Cap Screw	63	67147	2	3/8 x 2 Clevis Pin G5
50	91015	4	3/8-16 x 1 Hex Cap Screw	64	91902	2	1/8 Cotter Pin
51	91123	16	3/8 Flat Washer	66	80268	2	5/16-18 x 5/8 Hex Cap Screw
52	91282	8	3/8 Spring Lock Washer	67	67072	2	1/4-20 x 1-1/4 Hex Cap Screw
53	91431	8	3/8-16 Hex Nut	68	67076	2	1/4-20 Hex Locknut
				69	95734	1	Choke Stop Clip Kit (Tecumseh)
SS = Stainless Steel			G = Grade			AR = As Required	

‡ Tecumseh – 4; Honda – 2

ICE BREAKER™ HOPPER SPREADER

Copyright © 2012 Douglas Dynamics, L.L.C. All rights reserved. This material may not be reproduced or copied, in whole or in part, in any printed, mechanical, electronic, film or other distribution and storage media, without the written consent of Western Products. Authorization to photocopy items for internal or personal use by Western Products outlets or spreader owner is granted.

Western Products reserves the right under its product improvement policy to change construction or design details and furnish equipment when so altered without reference to illustrations or specifications used. Western Products or the vehicle manufacturer may require or recommend optional equipment for spreaders. Do not exceed vehicle ratings with a spreader. Western Products offers a limited warranty for all spreaders and accessories. See separately printed page for this important information. The following are registered (®) or unregistered (™) trademarks of Douglas Dynamics, L.L.C.: ICE BREAKER™, WESTERN®.

Printed in U.S.A.
