

Installation Instructions

⚠ DANGER

Vehicle engines contain moving parts and can become extremely hot, causing severe burns and serious bodily harm.

Shut off the engine and allow it time to cool before installing this kit.

⚠ DANGER

Vehicle batteries can cause dangerous electrical shocks that could lead to severe burns or death.

Disconnect your battery before installing this kit.

Determine the left and right sides of the machine from the normal operating position.

1. Disconnect the wire harness plug from the back of the left vehicle headlight (Figure 1).
2. Locate the end of the headlight adapter with 2 black plugs, and connect the female plug to the back of the left vehicle headlight (Figure 1).
3. Connect the remaining black plug on the headlight adapter to the previously disconnected plug on the vehicle wire harness (Figure 1).
4. Connect the blue plastic connector, from the headlight adapter harness, into the driver side black rubber connector on the plow harness (Figure 1).
5. Connect the black rubber connector, from the headlight adapter harness, into the driver side blue plastic connector, from the plow harness (Figure 1).
6. Connect the yellow bullet plug from the headlight adapter to the yellow bullet plug on the plow wire harness.
7. Connect the violet bullet plug from the headlight adapter to the violet bullet plug on the plow wire harness.
8. Repeat steps 1 to 5 for the passenger side.

9. Connect the violet bullet plug from the headlight adapter to the pink bullet plug on the plow wire harness.
10. Grease, tuck, and secure the yellow bullet plug from the headlight adapter

Note: You will not use this connector.

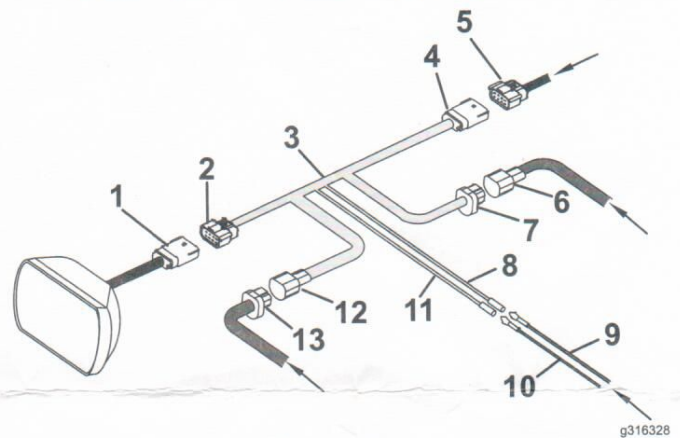
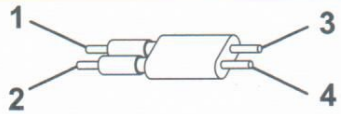
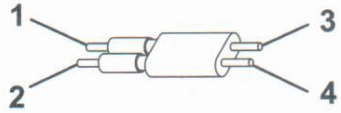


Figure 1

- | | |
|---|--|
| 1. Vehicle headlamp connector | 8. Violet bullet plug (adapter harness) |
| 2. Female plug (adapter harness) | 9. Violet plug (drivers side vehicle harness) / Pink plug (passenger side vehicle harness) |
| 3. Headlight adapter harness | 10. Yellow bullet plug (driver side only) |
| 4. Male plug (adapter harness) | 11. Yellow bullet plug (adapter harness) |
| 5. Vehicle harness | 12. Black rubber connector (adapter harness) |
| 6. Black rubber connector (plow harness) | 13. Blue plastic connector (plow harness) |
| 7. Blue plastic connector (adapter harness) | |

11. Locate the vehicle option connector and align it in the standard orientation as shown below:



Orientation	Wire Colors
Standard orientation	 <p data-bbox="311 229 694 305"> 1. Red/yellow 3. Red/yellow 2. White/yellow 4. White/yellow </p>
Reverse orientation	 <p data-bbox="311 447 694 524"> 1. White/yellow 3. Red/yellow 2. Red/yellow 4. White/yellow </p>