



Rubber Deflector Parts List and Installation Instructions

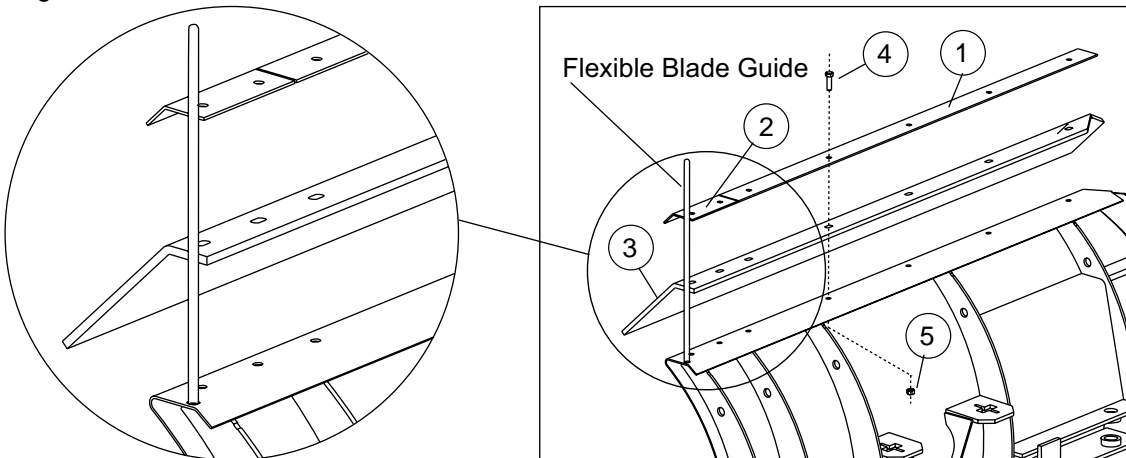
Parts List			
Ref #	Part #	Qty	Description
1	21618	2	Bolting Bar
2	26585	2	Bolting Bar
3	26588	1	Rubber Deflector w/ Logo - DS
4	90106	14	3/8-16 x 1-1/4" Gr. 5 Cap Screw
5	90352	14	3/8" Locknut
ns	26586	1	Rubber Deflector—PS
ns = not shown			

1. Install the flexible blade guides on the snowplow wings.
2. Place the rubber deflector that has the logo on the driver-side wing. The deflector should be parallel to the wing, with the logo facing up. The cropped portion of the deflector should be toward the hinged end of the wing.
3. Place one of the short bolting bars on top of the deflector and near the outer end of the wing. Align the holes in the deflector with the holes in the bolting bar. Clamp the deflector and bolting bar to the wing.

4. Place one of the long bolting bars on top of the deflector and beside the short bolting bar you just clamped to the wing. Align the holes in the deflector with the holes in the bolting bar. Clamp the rubber deflector and bolting bar to the wing.

DIAMETER- THREADS PER INCH	NC FASTENER TORQUE (FT-LB)		
	GRADE		
	G2	G5	G8
1/4 - 20	6	9	13
5/16 - 18	11	18	28
3/8 - 16	19	31	46
7/16 - 14	30	50	75
1/2 - 13	45	75	115
9/16 - 12	66	110	165
5/8 - 11	93	150	225
3/4 - 10	150	250	370
7/8 - 9	150	378	591
1 - 8	220	583	893

5. Drill seven, 13/32" holes through the wing. Use the holes in the bolting bar as a guide.
6. Fasten the rubber deflector and bolting bar to the wing with a 3/8 x 1-1/4" cap screw and 3/8" locknut in each hole. Tighten screws per torque chart provided.
7. Repeat for the passenger-side wing.



Copyright © 1999 Douglas Dynamics, L.L.C. All rights reserved. This material may not be reproduced or copied, in whole or in part, in any printed, mechanical, electronic, film or other distribution and storage media, without the written consent of Fisher Engineering. Authorization to photocopy items for internal or personal use by Fisher Engineering outlets is granted.

Fisher Engineering reserves the right under its product improvement policy to change construction or design details and furnish equipment when so altered without reference to illustrations or specifications used herein. Fisher Engineering and the vehicle manufacturer may require and/or recommend optional equipment for snow removal. Fisher Engineering offers a limited warranty for all snowplows and accessories. See separately printed page for this important information. The following are registered (®) trademarks of Douglas Dynamics, L.L.C.: EZ-V®, FISHER®

Printed in USA