

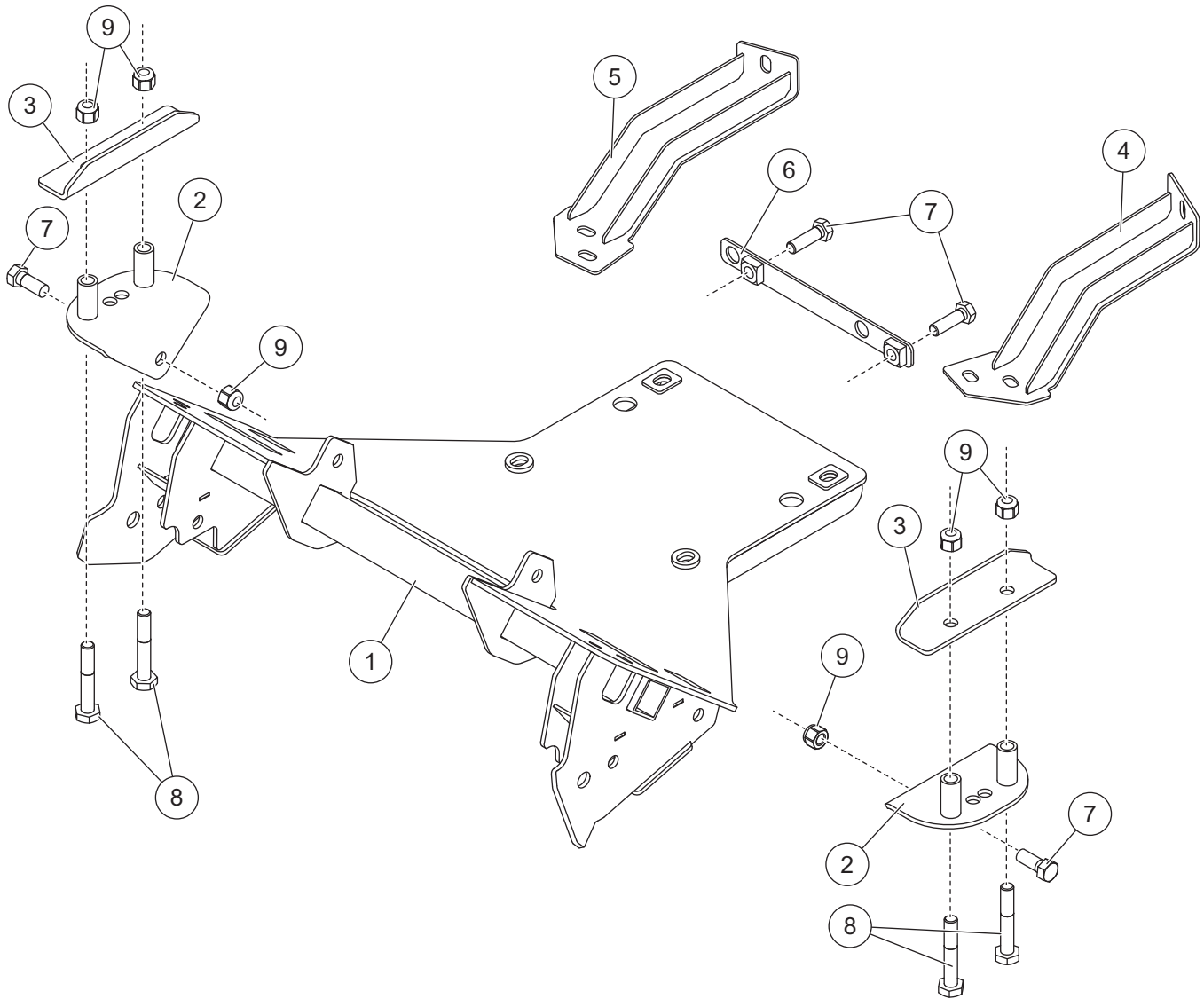
Mount Kit

John Deere XUV835/865 Winch Harness Integration 2017-__

35165

October 1, 2020
Lit. No. 30163, Rev. 00

PARTS LIST



35165 Mount Kit							
Item	Part	Qty	Description	Item	Part	Qty	Description
1	76375	1	Blade Mount	5	76330	1	Frame Brace, Right-Side
2	52874	2	Bracket Assembly	6	76331	2	Nut Bar
3	52878	2	Bracket	ns	76374	1	Bolt Bag
4	76329	1	Frame Brace, Left-Side				
76374 Bolt Bag							
7		8	M12-1.75 x 30 Flanged Cap Screw G10.9	9		8	M12-1.75 Flanged Locknut
8		4	M12-1.75 x 80 Flanged Cap Screw G10.9	ns		6	M10-1.50 x 25 Flanged Cap Screw G10.9
				ns		6	M10-1.50 Flanged Locknut
ns = not shown		M = Metric				G = Grade	

Copyright © 2020 Douglas Dynamics, LLC. All rights reserved. This material may not be reproduced or copied, in whole or in part, in any printed, mechanical, electronic, film, or other distribution and storage media, without the written consent of the company. Authorization to photocopy items for internal or personal use by the company's outlets or snowplow owner is granted.

The company reserves the right under its product improvement policy to change construction or design details and furnish equipment when so altered without reference to illustrations or specifications used. This equipment manufacturer or the vehicle manufacturer may require or recommend optional equipment for snow removal. Do not exceed vehicle ratings with a snowplow. The company offers a limited warranty for all snowplows and accessories. See separately printed page for this important information.

Printed in U.S.A.
