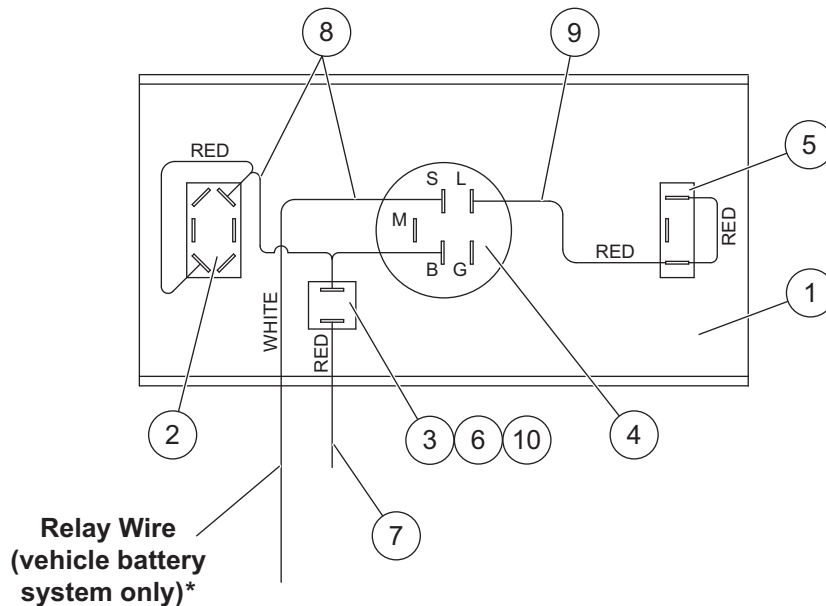




Western Products
 PO Box 245038
 Milwaukee, WI 53224-9538
 www.westernplows.com
A DIVISION OF DOUGLAS DYNAMICS, LLC

65669 – Hopper Spreaders
STANDARD CAB CONTROL &
ELECTRICAL COMPONENTS
Parts List

PARTS LIST

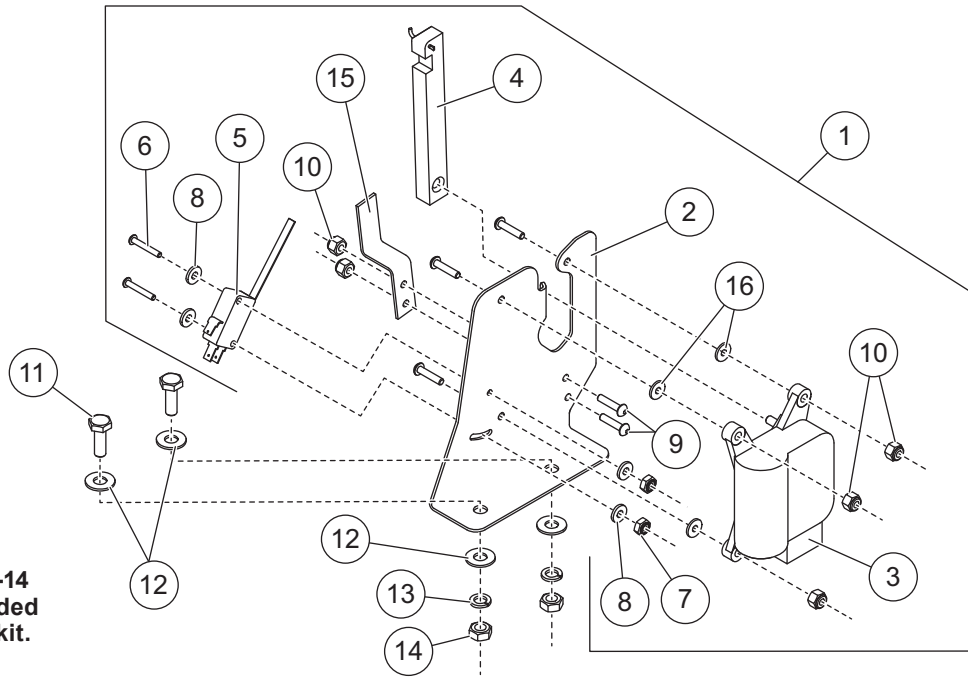


65669 Standard Cab Control						
Item	Part	Qty	Description	Item	Part	Qty Description
1	65317	1	Control Panel	7		1 Power Wire – Red
2	65354	1	Electric Throttle Switch	8		1 Jumper Wire – Red, 4-Terminal
3	67026	1	Fuse Holder	9		1 Jumper Wire – Red, 3-Terminal
4	65367	1	Keyed Ignition Switch	10	65366	1 Fuse 3AG, 10-amp
5	65353	1	Clutch Switch	ns	65368	1 Key – Hopper Spreader
6	67027	1	Fuse Cap			

*See Miscellaneous Electrical Components Parts List.

This Parts List is for WESTERN® Hopper Spreaders with serial numbers 4558 and higher.

STANDARD CAB CONTROL & ELECTRICAL COMPONENTS



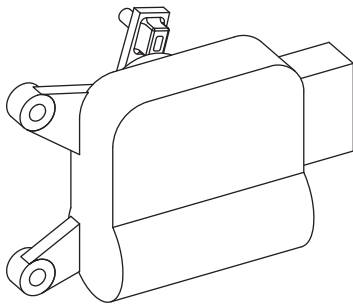
Items 11-14
not included
in 69781 kit.

Electric Throttle Components – Honda Engine							
Item	Part	Qty	Description	Item	Part	Qty	Description
1	69781	1	Electric Throttle Motor Kit – Honda (includes items 2-10, 15, 16)	10		3	6-32 Hex Locknut GB SS
2	69769*	1	Throttle Bracket – Honda	11		2	1/4-20 x 3/4 Hex Cap Screw G5 SS
3		1	Electric Throttle Motor – Honda	12		4	1/4 Flat Washer
4	69767*	1	Electric Throttle Arm – Honda 4"	13		2	1/4 Spring Lock Washer
5	68863	1	Choke Light Switch	14		2	1/4-20 Hex Nut G5
6		2	4-40 x 3/4 Button Cap Screw SS	15	94574-1	1	Throttle Retainer – Honda
7		2	4-40 Hex Locknut GB SS	16	M2052	3	Flat Washer M5 Regular
8		4	4 Flat Washer SS	ns	94573†	1	Throttle Bracket – Honda
9		3	6-32 x 5/8 Button Cap Screw SS	ns	94572†	1	Electric Throttle Arm – Honda 3-3/4"
			G = Grade			ns = not shown	SS = Stainless Steel

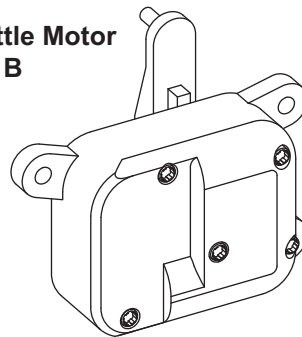
* Used with Throttle Motor type A.

† Used with Throttle Motor type B.

Throttle Motor Type A

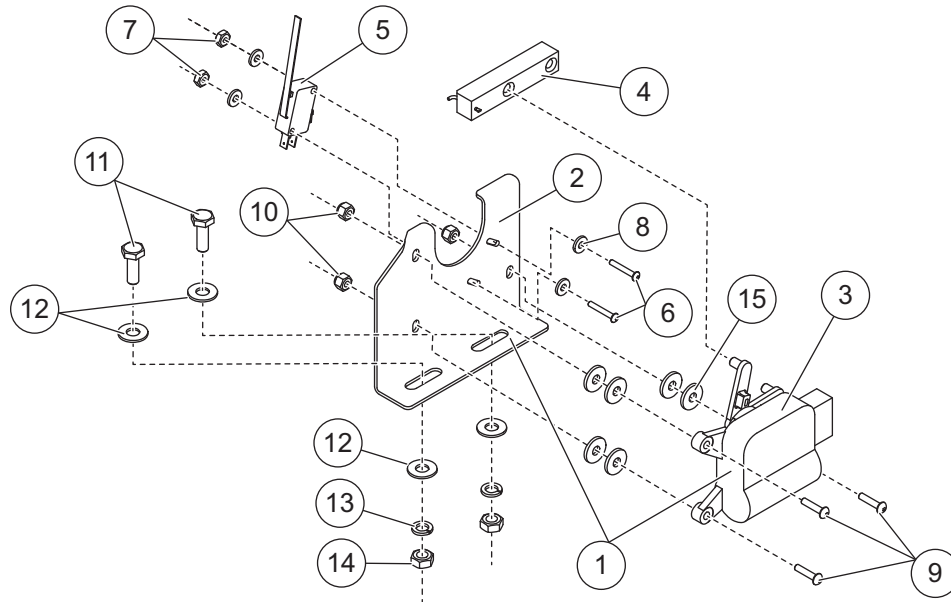


Throttle Motor Type B



Type B motor is no longer available. For service, use Item 1 in the above parts list.

STANDARD CAB CONTROL & ELECTRICAL COMPONENTS

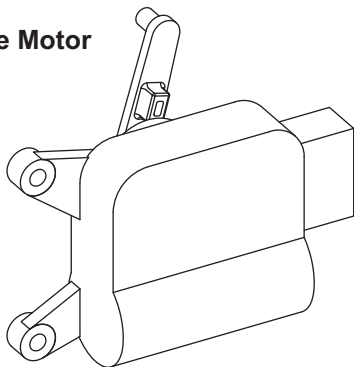


Electric Throttle Components – Briggs & Stratton Engine							
Item	Part	Qty	Description	Item	Part	Qty	Description
1	69782	1	Electric Throttle Motor Kit – Briggs & Stratton (includes items 2, 3, 15)	8	68857	4	4 Flat Washer SS
2	73957*	1	Throttle Bracket – Briggs & Stratton	9	67091	3	6-32 x 5/8 Button Cap Screw SS
3		1	Electric Throttle Motor – Briggs & Stratton	10	91398	3	6-32 Hex Locknut GB SS
4	65375	1	Electric Throttle Arm – Briggs & Stratton	11	90461	2	1/4-20 x 3/4 Hex Cap Screw G5 SS
5	68863	1	Choke Light Switch	12	90311	4	1/4 Flat Washer
6	68858	2	4-40 x 3/4 Button Cap Screw SS	13	91201	2	1/4 Spring Lock Washer
7	68859	2	4-40 Hex Locknut GB SS	14	91411	2	1/4-20 Hex Nut G5
				15	M2052	6	Flat Washer M5 Regular
				ns	65372†	1	Throttle Bracket – Briggs & Stratton
G = Grade				SS = Stainless Steel			

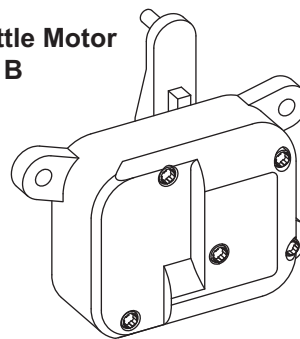
* Used with Throttle Motor type A.

† Used with Throttle Motor type B.

**Throttle Motor
Type A**

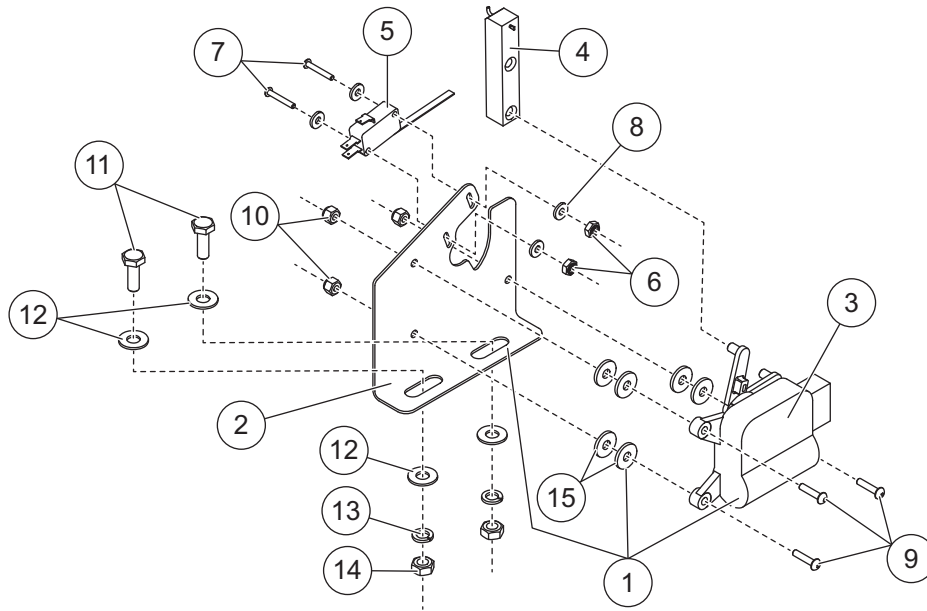


**Throttle Motor
Type B**



Type B motor is no longer available. For service, use Item 1 in the above parts list.

STANDARD CAB CONTROL & ELECTRICAL COMPONENTS

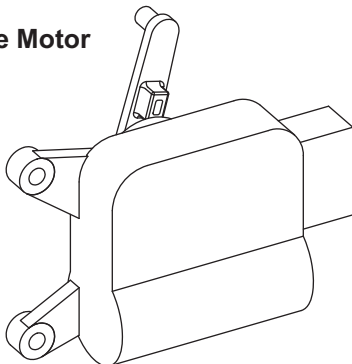


Electric Throttle Components – Tecumseh Engine							
Item	Part	Qty	Description	Item	Part	Qty	Description
1	69783	1	Electric Throttle Motor Kit – Tecumseh (includes items 2, 3, 15)	9	67091	3	6-32 x 5/8 Button Cap Screw SS
2	69788*	1	Throttle Bracket – Tecumseh	10	91398	3	6-32 Hex Locknut GB SS
3		1	Electric Throttle Motor – Tecumseh	11	90461	2	1/4-20 x 3/4 Hex Cap Screw G5 SS
4	65375	1	Electric Throttle Arm – Tecumseh	12	90311	4	1/4 Flat Washer
5	68863	1	Choke Light Switch	13	91201	2	1/4 Spring Lock Washer
6	68858	2	4-40 x 3/4 Button Cap Screw SS	14	91411	2	1/4-20 Hex Nut G5
7	68859	2	4-40 Hex Locknut GB SS	15	M2052	6	Flat Washer M5 Regular
8	68857	4	4 Flat Washer SS	ns	68853†	1	Throttle Bracket – Tecumseh
G = Grade				SS = Stainless Steel			

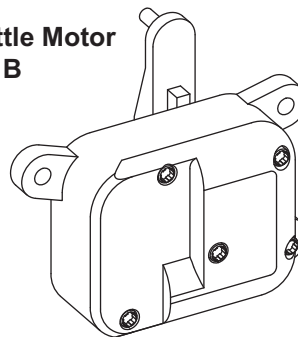
* Used with Throttle Motor type A.

† Used with Throttle Motor type B.

Throttle Motor Type A

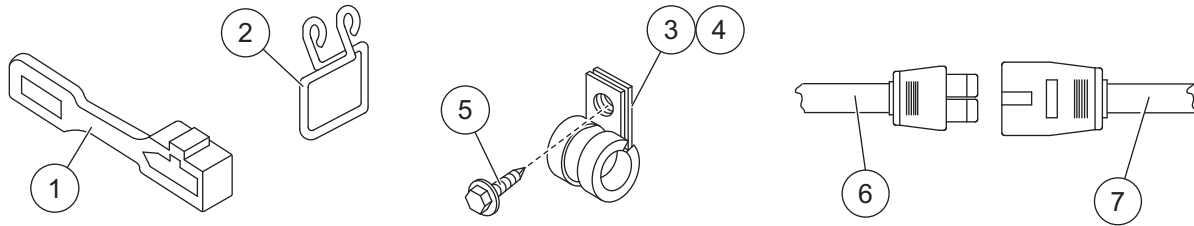


Throttle Motor Type B



Type B motor is no longer available. For service, use Item 1 in the above parts list.

STANDARD CAB CONTROL & ELECTRICAL COMPONENTS



Miscellaneous Electrical Components							
Item	Part	Qty	Description	Item	Part	Qty	Description
1	61548K	1	Plug Cover	7	65572	1	Spreader Harness, Briggs & Stratton
2	49304K	1	Plug Retainer Kit (2 Hooks)		67482	1	Spreader Harness, Tecumseh
3	65340	AR	Clamp Loop #10	ns	66130	AR	Rubber Grommet 3/8 ID
4	65190	AR	Clamp Loop #6	ns	56099	1	Dielectric Grease Tube
5	93148	AR	1/4-14 x 3/4 Self-Driving Tap Screw	ns	65384	1	Relay Wire – white (vehicle battery system only)
6	65571	1	Vehicle Harness				
AR = As Required				ns = not shown			

Copyright © 2014 Douglas Dynamics, LLC. All rights reserved. This material may not be reproduced or copied, in whole or in part, in any printed, mechanical, electronic, film or other distribution and storage media, without the written consent of Western Products. Authorization to photocopy items for internal or personal use by the Western Products outlets or spreader owner is granted.

Western Products reserves the right under its product improvement policy to change construction or design details and furnish equipment when so altered without reference to illustrations or specifications used. Western Products or the vehicle manufacturer may require or recommend optional equipment for spreaders. Do not exceed vehicle ratings with a spreader. Western Products offers a limited warranty for all spreaders and accessories. See separately printed page for this important information. The following are registered (®) or unregistered (™) trademarks of Douglas Dynamics, LLC: WESTERN®.

Printed in U.S.A.