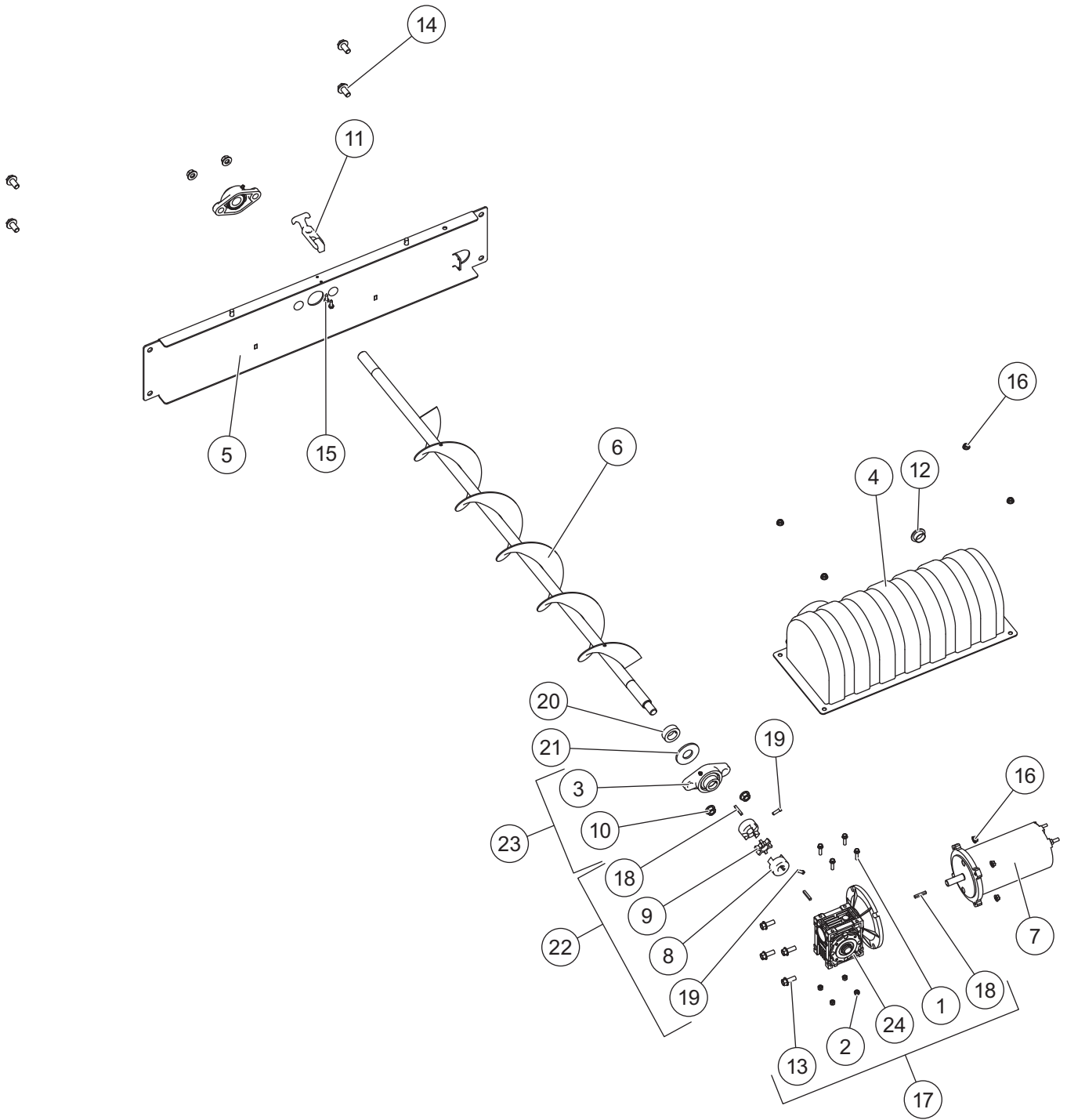


VX-1500 HOPPER SPREADER

AUGER DRIVE ASSEMBLY



VX-1500 HOPPER SPREADER

Auger Drive Assembly							
Item	Part	Qty	Description	Item	Part	Qty	Description
1	D6854	4	1/4-20 x 1 Serrated Flange Hex Cap Screw	13	D6452	4	3/8-16 x 1 Serrated Flange Hex Cap Screw
2	T15016	4	1/4-20 Locknut	14	D6528	4	1/2-13 x 1 Serrated Hex Cap Screw
3	D5383	2	1" 2-Bolt Flange Bearing	15	D6553	2	#10 x 3/4 Slotted Hex Washer-Head Screw
4	F50957	1	Auger Motor Cover	16	D5706	8	5/16-18 Serrated Flange Nut
5	D5514	1	Spinner Drive Mount Plate	17	99798*	1	Transmission 80:1 Kit
6	D5520	1	5 x 57 x 5-8" Auger	18	D6873	3	3/16 x 1-1/4 Key Stock
7	D6825	1	1/3 HP Motor, 1750 RPM	19	D7164	2	1/4-20 x 3/4 Square Head Set Screw
8	D5532	2	Jaw Coupling Hub	20	T20315	1	1-1/16 Shaft Collar w/ Set Screw
9	D5533	1	Jaw Coupling Spider	21	T30742	1	1" Flat Washer
10	D5535	4	1/2-13 Serrated Flange Nut	22	83716	1	Coupler Kit
11	D6105	1	Flexible Draw Latch	23	83717	2	Bearing Kit
12	99195	1	Break-Thru Plug				
Item 17				99798* Transmission 80:1 Kit			
1	D6854	4	1/4-20 x 1 Serrated Flange Hex Cap Screw	18	D6873	2	3/16 x 1-1/4 Key Stock
2	T15016	4	1/4-20 Locknut	24	10923	1	Transmission 80:1 NMRV 040
13	D6452	4	3/8-16 x 1 Serrated Flange Hex Cap Screw				
Item 22				83716 Coupler Kit			
8	D5532	2	Jaw Coupling Hub	18	D6873	2	3/16 x 1-1/4 Key Stock
9	D5533	1	Jaw Coupling Spider	19	D7164	2	1/4-20 x 3/4 Square Head Set Screw
Item 23				83717 Bearing Kit			
3	D5383	1	1" 2-Bolt Flange Bearing	10	D5535	2	1/2-13 Serrated Flange Nut

* If replacing early style black transmission, also order PN 83723 Transmission Adapter Kit.