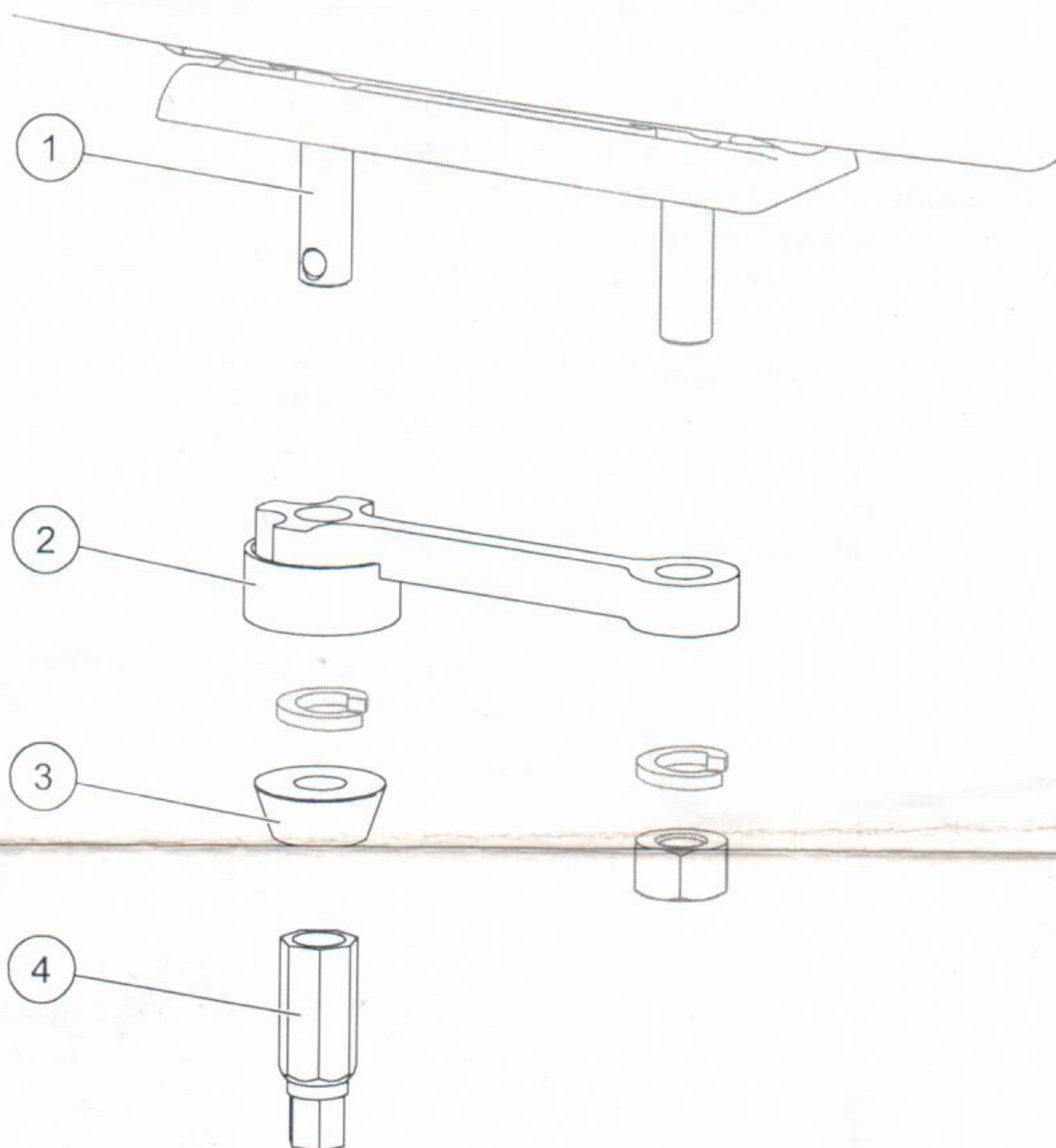


Headlamp Security Kit

LED Headlamps

PARTS LIST



72532 Headlamp Security Kit – LED							
Item	Part	Qty	Description	Item	Part	Qty	Description
1		2	Headlamp Mounting Post w/Hole	3		2	Security Nut
2		2	Spacer Plate	4		1	Installation Tool

⚠ WARNING

Do not exceed GVWR or GAWR, including blade and ballast. The rating label is found on the driver-side vehicle door cornerpost.

⚠ CAUTION

Use standard methods and practices when attaching snowplow and installing accessories, including proper personal protective safety equipment.

⚠ CAUTION

Read this document before installing the headlamp security kit.

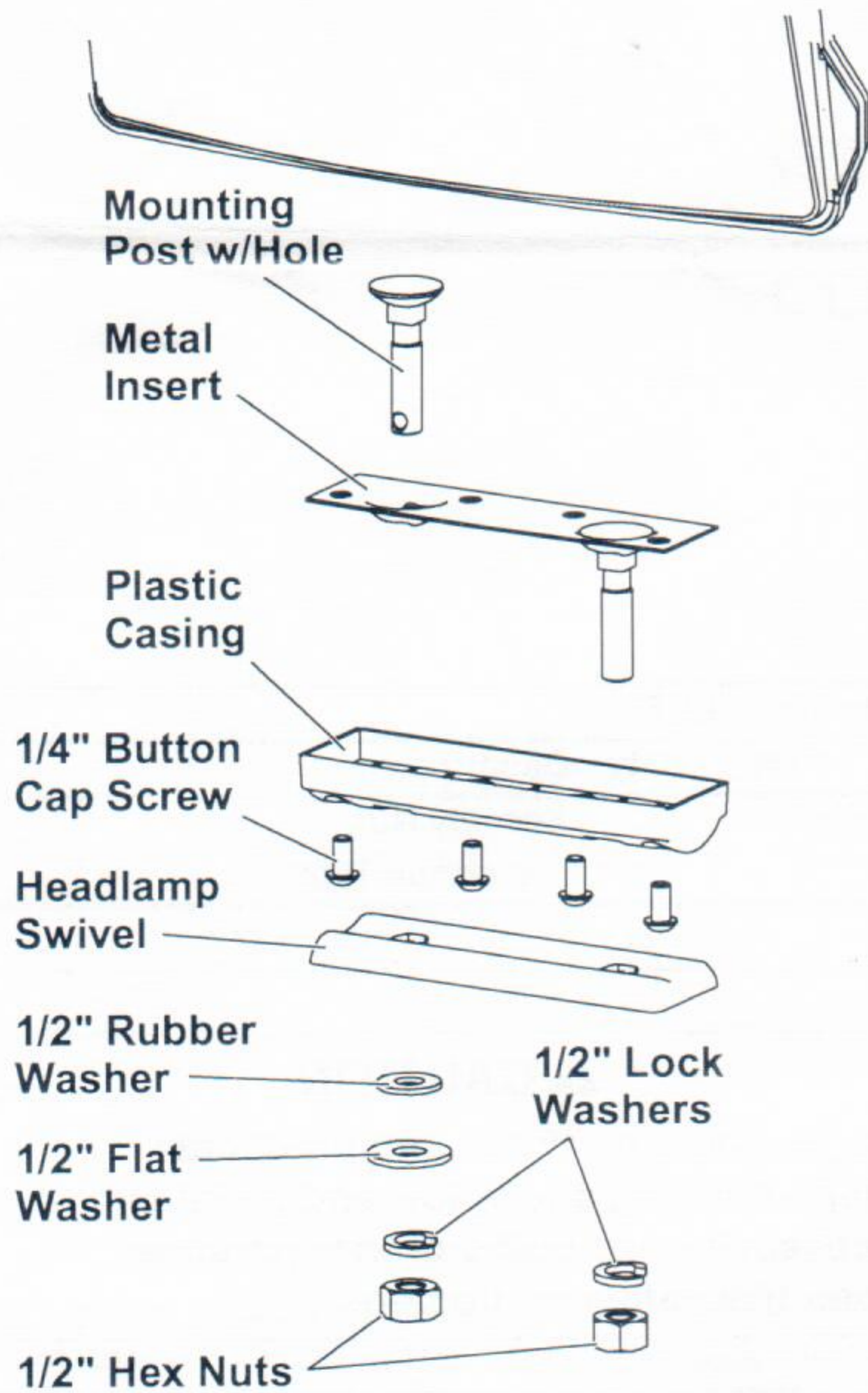
⚠ CAUTION

See your sales outlet/website for specific vehicle application recommendations before installation. The online selection system has specific vehicle and snowplow requirements.

INSTALLATION INSTRUCTIONS

NOTE: Refer to the literature in the plug-in harness kit for complete wiring instructions.

1. Park the vehicle on a smooth, level, hard surface, such as concrete. Lower the blade to the ground, and turn the control OFF. Disconnect the snowplow from the vehicle, or turn the vehicle ignition to the "OFF" position and remove the key.
2. Remove the headlamp from the snowplow by disconnecting the harness on the rear of the headlamp and removing the two 1/2" hex nuts and lock washers. Retain the 1/2" lock washers and nuts for installation.
3. Using a 3/16" hex wrench, remove the four 1/4" button cap screws from the bottom of the headlamp.



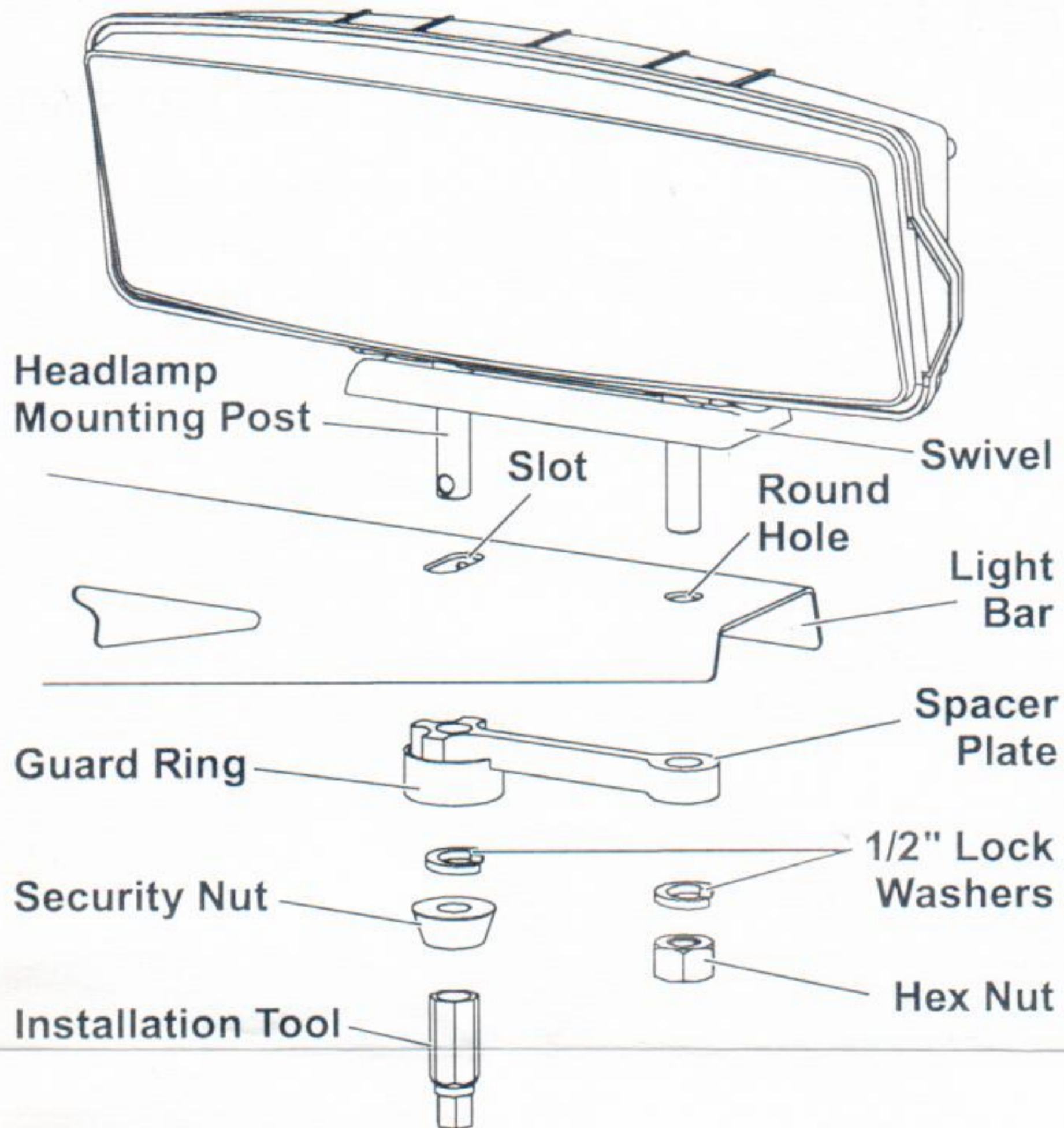
4. Remove the plastic casing and metal insert.
5. Remove one mounting post from the metal insert and replace it with a mounting post with a cross drilled hole from the security kit. Replace the metal insert and plastic casing.

⚠ CAUTION

Do NOT torque button cap screws greater than 5 ft-lb.

6. Insert the four 1/4" button cap screws and tighten to 5 ft-lb.
7. Place a headlamp swivel on the light bar, aligning it with the headlamp attachment points.
8. Insert the two headlamp posts through the two holes in the swivel and light bar. Make sure to install the headlamp on the correct end of the light bar (i.e., passenger-side headlamp on the passenger's side of the bar).

9. Install the spacer plate over the headlamp mounting posts with the guard ring positioned under the slot, facing down. Install a 1/2" lock washer and hex nut on the post through the round hole and hand tighten.



10. On the headlamp post passing through the slot, install a 1/2" lock washer and security nut. Hand tighten using the installation tool.
11. Repeat Steps 7–10 (or Steps 2–10 if these are replacement headlamps) to install the other headlamp.

NOTE: For additional security, a padlock with 1/4" shackle may be installed through the hole in the headlamp post.

12. Follow the Snowplow Headlamp Beam Aiming Instructions (Lit. No. 27769) to achieve the correct visual aim. Once the headlamps are correctly aimed, tighten the headlamp fasteners to 22 ft-lb (30 N·m).

NOTE: Retain the installation tool for future headlamp maintenance.

Copyright © 2021 Douglas Dynamics, LLC. All rights reserved. This material may not be reproduced or copied, in whole or in part, in any printed, mechanical, electronic, film, or other distribution and storage media, without the written consent of the company. Authorization to photocopy items for internal or personal use by the company's outlets or snowplow owner is granted.

The company reserves the right under its product improvement policy to change construction or design details and furnish equipment when so altered without reference to illustrations or specifications used. This equipment manufacturer or the vehicle manufacturer may require or recommend optional equipment for snow removal. Do not exceed vehicle ratings with a snowplow. The company offers a limited warranty for all snowplows and accessories. See separately printed page for this important information.

Printed in U.S.A.