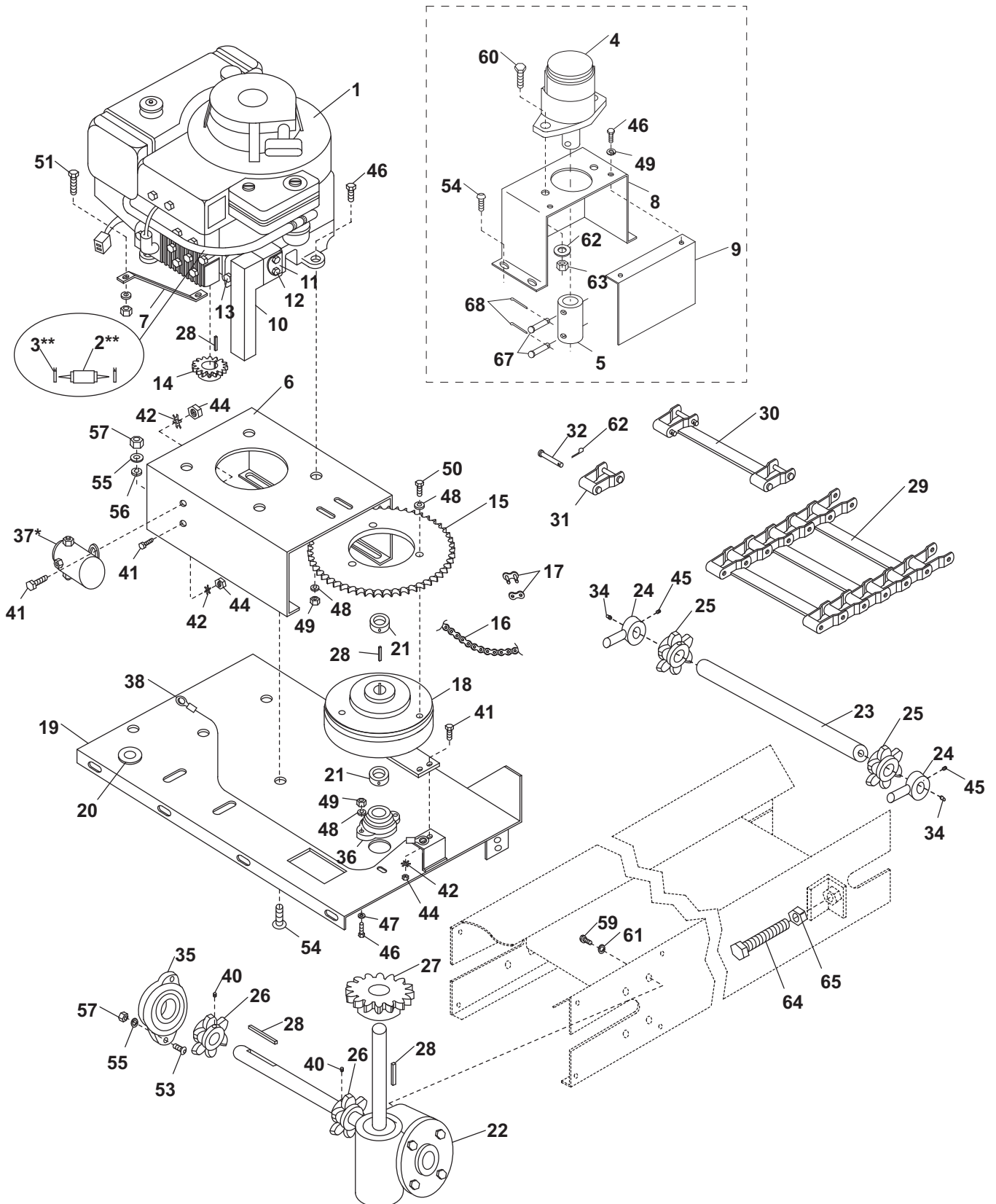


HOPPER SPREADER

DRIVE COMPONENTS



HOPPER SPREADER

Drive Components							
Item	Part	Qty	Description	Item	Part	Qty	Description
1	68805	1	10 hp Tecumseh Engine	25	65189	2	Idler Sprocket 6T
2	**	1	Inline Fuel Filter	26	65909	2	Drive Sprocket 6T
3	**	2	Hose Clamp	27	65181	1	Sprocket, #40 x 16T x 1 ID
4	68396	1	Hydraulic Motor	28	65174	5	Machine Key, 1/4 sq x 1-1/2
5	68402	1	Coupler	29	68349	1	Conveyor Chain 8' Regular Capacity (123 links)
6	65356	1	Engine Mount		94462	1	Conveyor Chain 7' Regular Capacity (108 links)
7	68854	1	Engine Mount Brace		68474	1	Conveyor Chain 8' High Capacity (123 links)
8	68397	1	Mount – Hydraulic Motor		68435	1	Conveyor Chain 10' High Capacity (150 links)
9	68470	1	Motor Mount Front Cover				
10	68855	1	Muffler				
11	68847	1	Muffler Bolt Retainer				
12	68846	2	5/16-18 x 3 Hex Cap Screw G2				
13	68848	1	1/4-20 x 5/8 Hex Cap Screw G5	30	68375	AR	Conveyor Repair Bar Reg. Capacity w/Pins and Cotters
14	9209K	1	Sprocket #40 x 12T x 1 ID				
15	65209	1	Sprocket, Clutch, #40 x 52T		68492	AR	Conveyor Repair Bar High Capacity w/Pins and Cotters
16	68350	1	#40 Roller Chain 29.5" Regular Capacity w/Master Link				
	68417	1	#40 Roller Chain 36.5" High Capacity w/Master Link	31	68475	AR	Conveyor Repair Link w/Pins and Cotters
17	20353K	1	#40 Roller Chain Master Link	32	41743	AR	Conveyor Chain Pin w/Cotter
18	65212	1	Electric Clutch	34	20188	2	Grease Fitting – Straight
19	68347	1	Engine Base Regular Capacity MS	35	65171	1	1-1/8 Flange Bearing 2-Bolt
	68357	1	Engine Base Regular Capacity SS	36	65182	1	1" Flange Bearing 2-Bolt
19	68450	1	Engine Base High Capacity MS	37*	20136	1	Relay – Hopper Spreader
19	68876	1	Engine Base High Capacity SS	38	67241	1	Clutch Ground Wire
20	65216	1	Rubber Grommet 1" ID				
21	65211	2	Locking Collar 1" ID				
22	68374	1	Gear Case Regular Capacity				
	68384	1	Gear Case High Capacity				
	68412	1	Gear Case Reg. Capacity Hydraulic				
	68463	1	Gear Case High Capacity Hydraulic				
23	65191	1	Idler Shaft Regular Capacity				
	68434	1	Idler Shaft High Capacity				
24	65188	2	Rod End				

G = Grade

SS = Stainless Steel

MS = Mild Steel

AR = As Required

* Contained in Hopper Parts Kit.

** Not included on hoppers with serial numbers 6738 and higher. These items were included on spreaders with serial numbers 4583–6737. For service, use PN 94645 Tecumseh Engine Fuel Line.

See page 4 for hardware parts list.