



Hopper Spreader

Control Wiring and Electrical Components

Installation Instructions and Parts List

This document includes ICE BREAKER™ harnesses referred to as "11-Pin Harness."

⚠ CAUTION

Read this document before installing the cab control wiring.

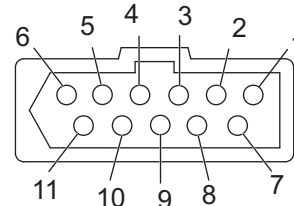
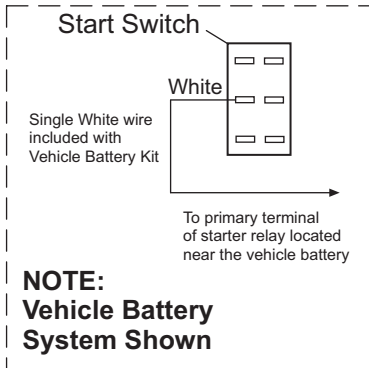
⚠ CAUTION

Use standard methods and practices when attaching spreader and installing accessories, including proper personal protective safety equipment.

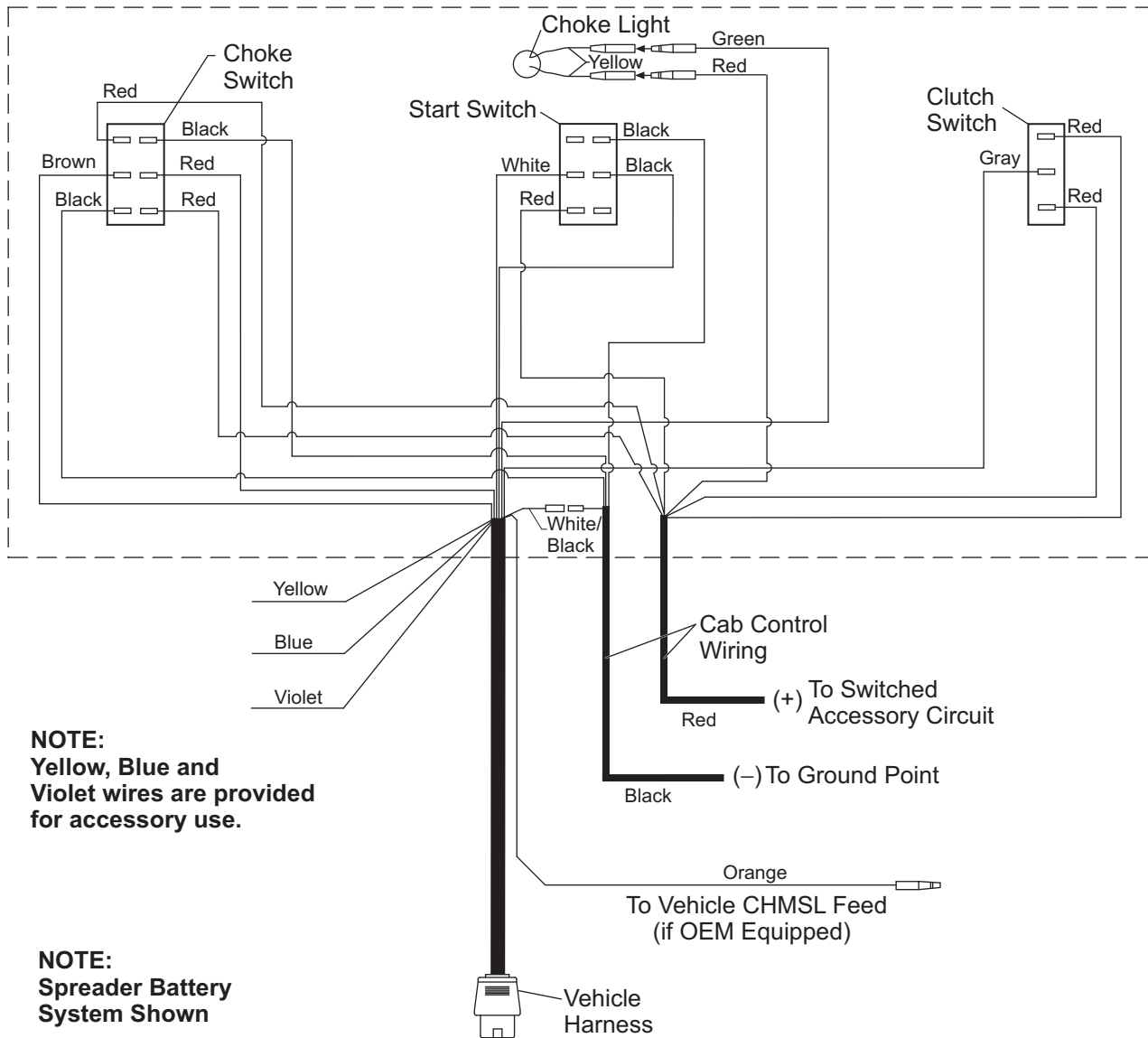
This Parts List is for WESTERN® Hopper Spreaders with serial numbers 4583–6998 and WESTERN ICE BREAKER Spreaders with serial numbers beginning with 0126–0805.

CAB CONTROL WIRING DIAGRAM – 11-PIN HARNESS

11-Pin Harness Wire Locations and Colors



- 1. Black
- 2. Brown
- 3. Red
- 4. Orange
- 5. Yellow
- 6. Green
- 7. Blue
- 8. Violet
- 9. Gray
- 10. White
- 11. White/Black



CAB CONTROL WIRING INSTRUCTIONS – 11-PIN HARNESS

WARNING

Do not install this product in deployment path of an air bag. Refer to vehicle manufacturer's manual for air bag deployment area(s).

1. Remove the cover of the cab control.
2. Remove the rubber grommet and pass the vehicle harness through the empty hole in the back of the cab control.
3. After the harness is in the control, install a tie wrap around it at the end of the insulation to secure it inside.

CAUTION

Use tape or grommets to protect the wire harness from abrasion and cutting caused by sharp edges during installation and operation.

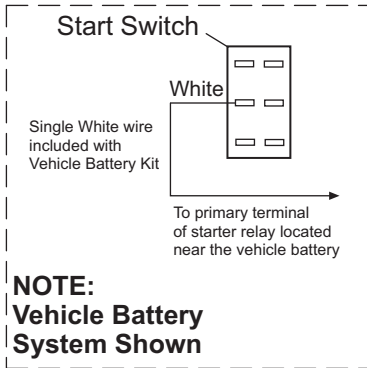
4. Separate the wires and do the following with each wire:
 - a. **Orange** – Loop it around and pass it out the large rubber grommet in the back of the cab control.
 - b. **Gray** – Connect to the middle terminal of the "CLUTCH" switch.
 - c. **Black** – Connect to the middle right terminal (as viewed from rear) of the "START" switch.
 - d. **White** –

For Spreader Battery System, connect to the middle left terminal (as viewed from the rear) of the "START" switch.

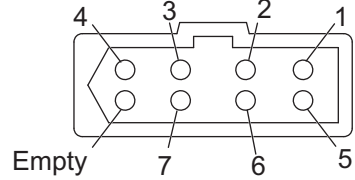
For Vehicle Battery System, the white wire from the vehicle harness will not be used. Connect the white relay wire (supplied with the vehicle battery kit) from the starter relay to the middle left terminal (as viewed from the rear) of the "START" switch. Also refer to the Vehicle Battery Kit Installation Instructions included with the vehicle battery kit.

- e. **Brown** – Connect to the middle left terminal (as viewed from the rear) of the "CHOKE" switch.
 - f. **Red** – Connect to the middle right terminal (as viewed from the rear) of the "CHOKE" switch.
 - g. **Green** – Connect to the yellow wire of the choke light.
 - h. **White/Black** – Connect to the black cab control ground wire.
 - i. **Yellow, Violet, Blue** – Pass back out of the control. These are provided for accessory use.
5. Connect the black wire from the cab control to a known ground on the vehicle.
 6. Connect the red (power) wire to an accessory wire/terminal that is controlled by the vehicle's ignition switch.
 7. Replace the cab control cover and fasten the cab control in the cab of the truck.

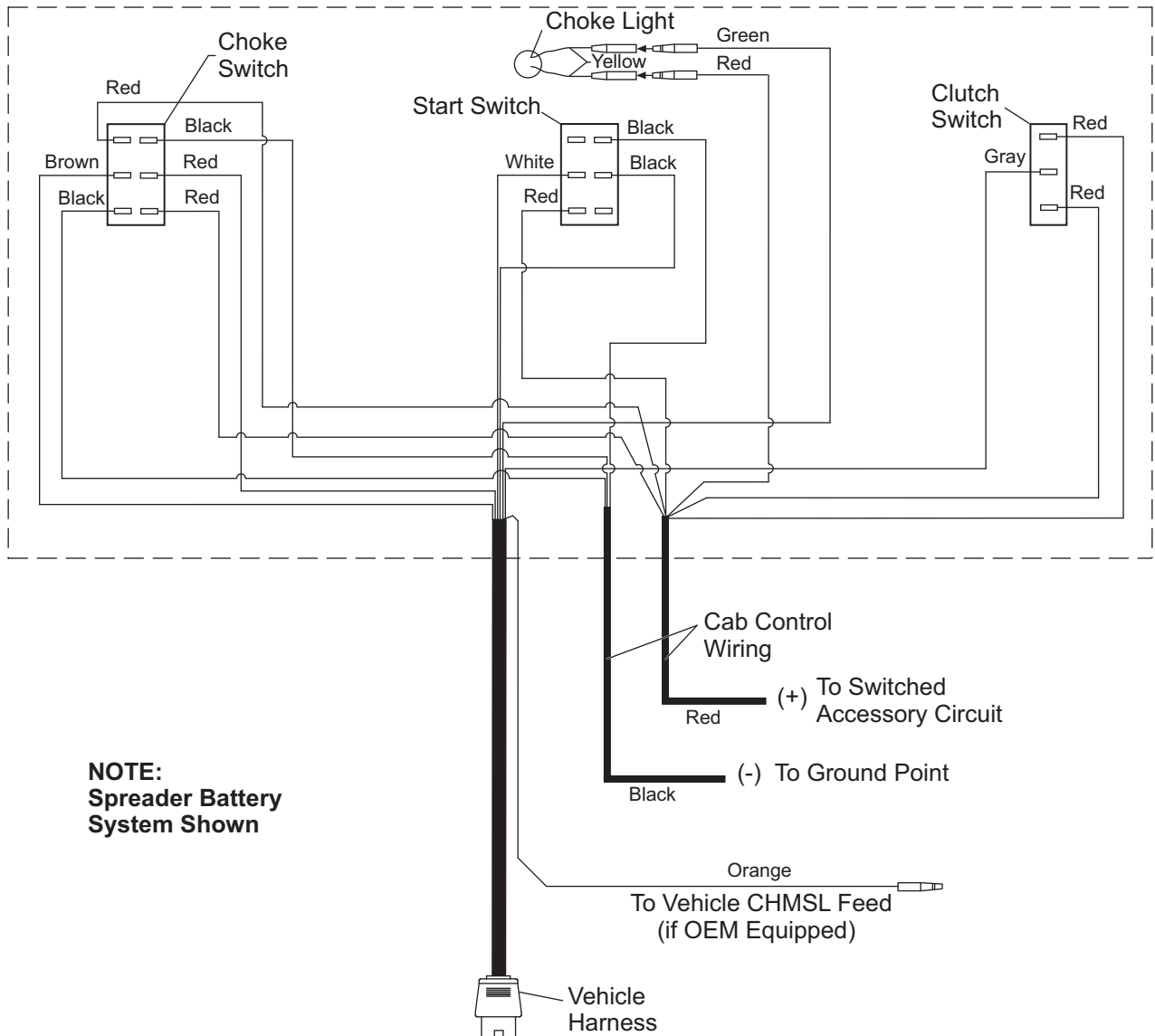
CAB CONTROL WIRING DIAGRAM – 7-PIN HARNESS



7-Pin Harness Wire Locations and Colors



1. Green
2. Black
3. White
4. Gray
5. Red
6. Brown
7. Orange

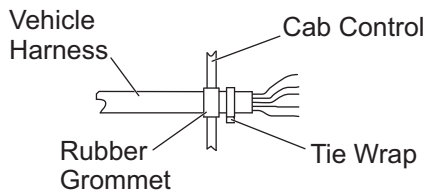


CAB CONTROL WIRING INSTRUCTIONS – 7-PIN HARNESS

⚠ WARNING

Do not install this product in deployment path of an air bag. Refer to vehicle manufacturer's manual for air bag deployment area(s).

1. Remove the cover of the cab control.
2. Remove the rubber grommet and pass the vehicle harness through the empty hole in the back of the cab control.
3. After the harness is in the control, install a tie wrap around it at the end of the insulation to secure it inside.



⚠ CAUTION

Use tape or grommets to protect the wire harness from abrasion and cutting caused by sharp edges during installation and operation.

4. Separate the wires and do the following with each wire:
 - a. **Orange** – Loop it around and pass it out the large rubber grommet in the back of the cab control.
 - b. **Gray** – Connect to the middle terminal of the "CLUTCH" switch.
 - c. **Black** – Connect to the middle right terminal (as viewed from rear) of the "START" switch.

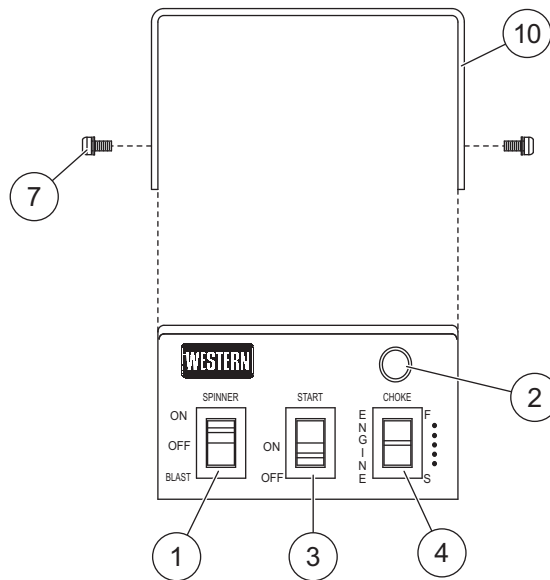
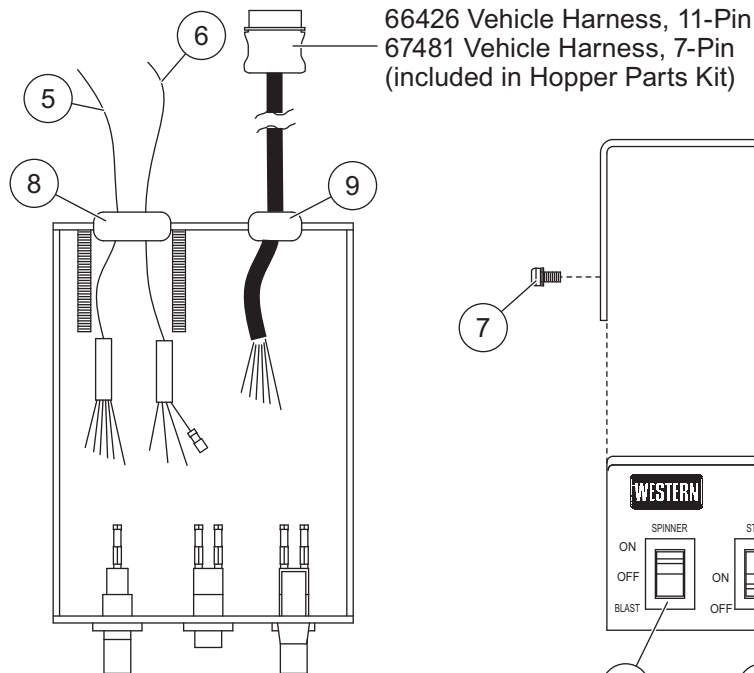
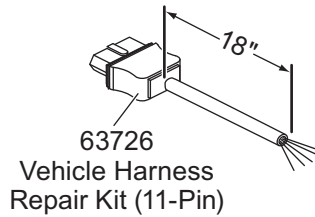
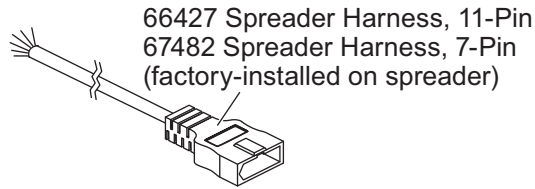
- d. **White** –

For Spreader Battery System, connect to the middle left terminal (as viewed from the rear) of the "START" switch.

For Vehicle Battery System, the white wire from the vehicle harness will not be used. Connect the relay white wire (supplied with the vehicle battery kit) from the starter relay to the middle left terminal (as viewed from the rear) of the "START" switch. Also refer to the Vehicle Battery Kit Installation Instructions included with the vehicle battery kit.

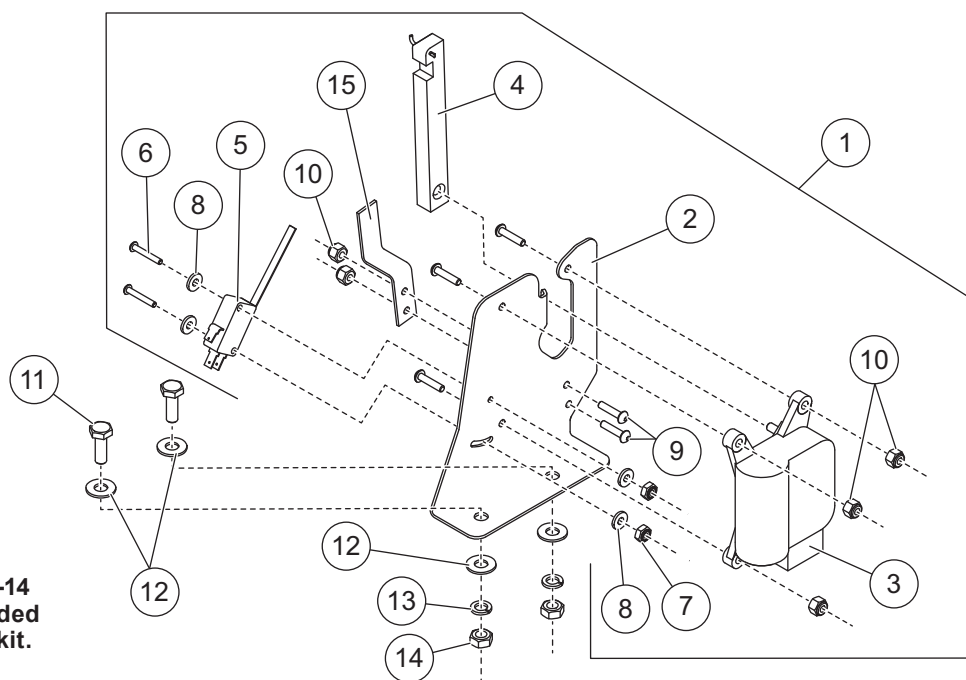
- e. **Brown** – Connect to the middle left terminal (as viewed from the rear) of the "CHOKE" switch.
 - f. **Red** – Connect to the middle right terminal (as viewed from the rear) of the "CHOKE" switch.
 - g. **Green** – Connect to yellow wire of choke light.
5. Connect the black wire from the cab control to a known ground on the vehicle.
 6. Connect the red (power) wire to an accessory wire/terminal that is controlled by the vehicle's ignition switch.
 7. Replace the cab control cover and fasten the cab control in the cab of the truck.

67530-1 PREMIUM CAB CONTROL PARTS LIST



67530-1 Premium Cab Control						
Item	Part	Qty	Description	Item	Part	Qty Description
1	67532	1	Spinner Clutch Switch	7	63930	4 4-40 x 1/4 Pan-Head Machine Screw
2	67528	1	Light, 12V Panel Mount (Red)	8	66130	1 Rubber Grommet – Large
3	67533	1	Ignition Switch	9	25301	1 Rubber Grommet – Small
4	67534	1	Throttle (Choke) Switch	10	65516	1 Control Bracket Installation Kit (includes mounting hardware)
5	67526	1	Harness, Control 12V Positive (Red)			
6	66432	1	Harness, Control Ground (Black)			

ELECTRICAL COMPONENTS PARTS LIST



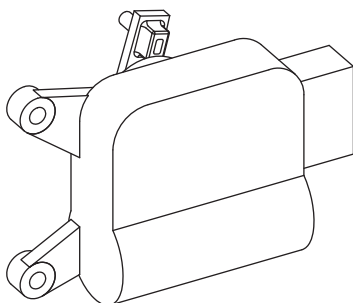
Items 11-14
not included
in 69781 kit.

Electric Throttle Components – Honda Engine							
Item	Part	Qty	Description	Item	Part	Qty	Description
1	69781	1	Electric Throttle Motor Kit – Honda (includes items 2-10, 15)	9	67091	3	6-32 x 5/8 Button Cap Screw SS
2	69769*	1	Throttle Bracket – Honda	10	91398	3	6-32 Hex Locknut GB SS
3		1	Electric Throttle Motor – Honda	11	90461	2	1/4-20 x 3/4 Hex Cap Screw G5 SS
4	69767*	1	Electric Throttle Arm – Honda 4"	12	90311	4	1/4 Flat Washer
5	68863	1	Choke Light Switch	13	91201	2	1/4 Spring Lock Washer
6	68858	2	4-40 x 3/4 Button Cap Screw SS	14	91411	2	1/4-20 Hex Nut G5
7	68859	2	4-40 Hex Locknut GB SS	15	94574	1	Throttle Retainer – Honda
8	68857	4	4 Flat Washer SS	ns	94573†	1	Throttle Bracket – Honda
				ns	94572†	1	Electric Throttle Arm – Honda 3-3/4"
G = Grade				SS = Stainless Steel			

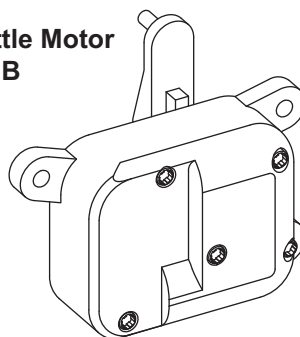
* Used with Throttle Motor type A.

† Used with Throttle Motor type B.

**Throttle Motor
Type A**

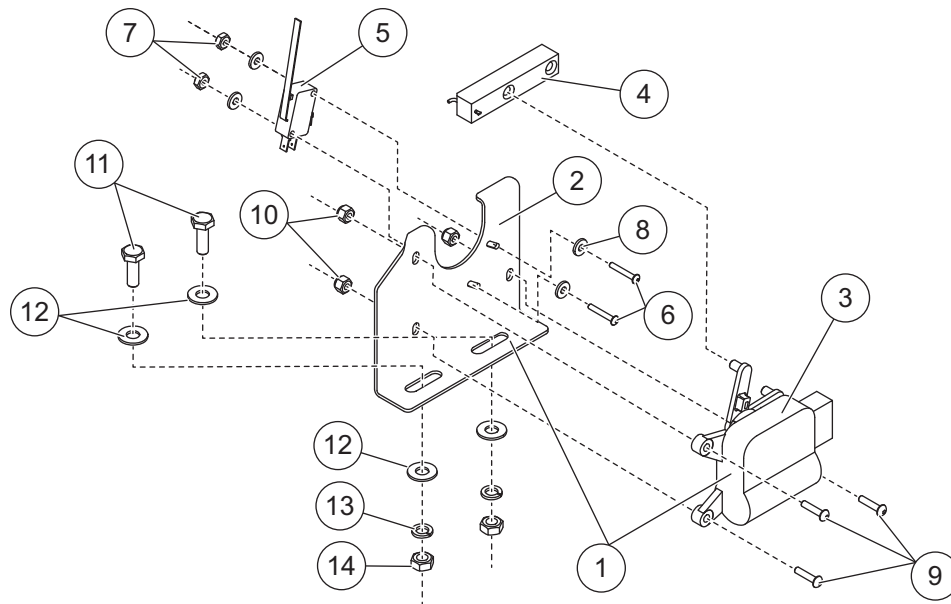


**Throttle Motor
Type B**



Type B motor is no longer available. For service, use Item 1 in the above parts list.

ELECTRICAL COMPONENTS PARTS LIST



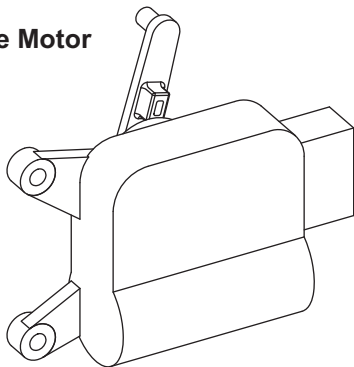
Electric Throttle Components – Briggs & Stratton Engine

Item	Part	Qty	Description	Item	Part	Qty	Description
1	69782	1	Electric Throttle Motor Kit – Briggs & Stratton (includes items 2 and 3)	7	68859	2	4-40 Hex Locknut GB SS
2	73957*	1	Throttle Bracket – Briggs & Stratton	8	68857	4	4 Flat Washer SS
3		1	Electric Throttle Motor – Briggs & Stratton	9	67091	3	6-32 x 5/8 Button Cap Screw SS
4	65375	1	Electric Throttle Arm – Briggs & Stratton	10	91398	3	6-32 Hex Locknut GB SS
5	68863	1	Choke Light Switch	11	90461	2	1/4-20 x 3/4 Hex Cap Screw G5 SS
6	68858	2	4-40 x 3/4 Button Cap Screw SS	12	90311	4	1/4 Flat Washer
				13	91201	2	1/4 Spring Lock Washer
				14	91411	2	1/4-20 Hex Nut G5
				ns	65372†	1	Throttle Bracket – Briggs & Stratton
G = Grade				SS = Stainless Steel			

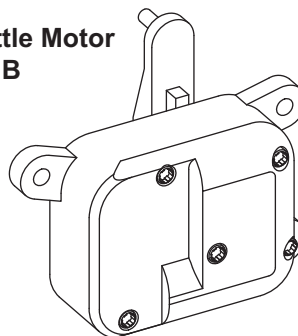
* Used with Throttle Motor type A.

† Used with Throttle Motor type B.

Throttle Motor Type A

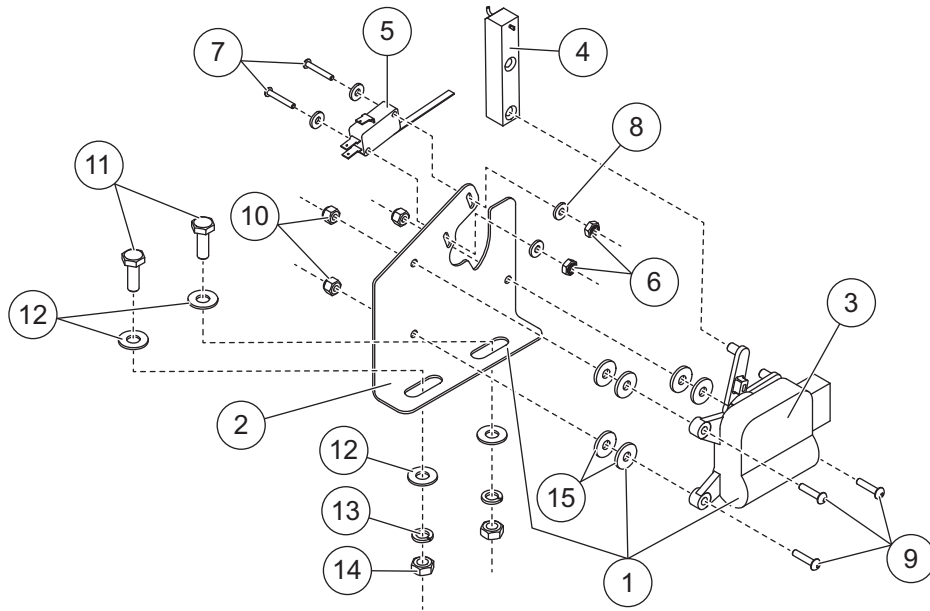


Throttle Motor Type B



Type B motor is no longer available. For service, use Item 1 in the above parts list.

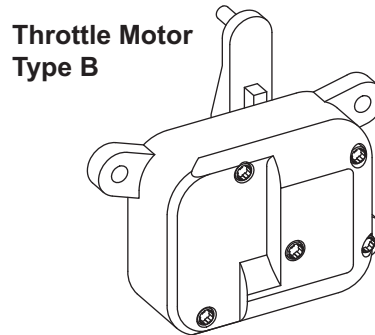
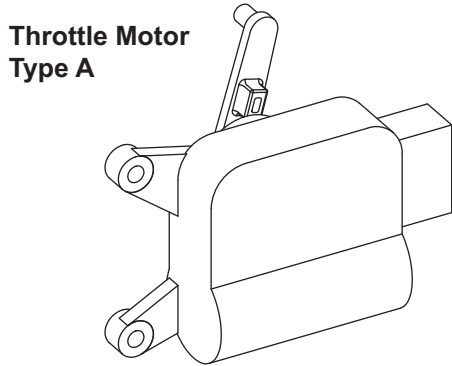
ELECTRICAL COMPONENTS PARTS LIST



Electric Throttle Components – Tecumseh Engine							
Item	Part	Qty	Description	Item	Part	Qty	Description
1	69783	1	Electric Throttle Motor Kit – Tecumseh (includes items 2, 3, 15)	9	67091	3	6-32 x 5/8 Button Cap Screw SS
2	69788*	1	Throttle Bracket – Tecumseh	10	91398	3	6-32 Hex Locknut GB SS
3		1	Electric Throttle Motor – Tecumseh	11	90461	2	1/4-20 x 3/4 Hex Cap Screw G5 SS
4	65375	1	Electric Throttle Arm – Tecumseh	12	90311	4	1/4 Flat Washer
5	68863	1	Choke Light Switch	13	91201	2	1/4 Spring Lock Washer
6	68858	2	4-40 x 3/4 Button Cap Screw SS	14	91411	2	1/4-20 Hex Nut G5
7	68859	2	4-40 Hex Locknut GB SS	15	M2052	6	Flat Washer M5 Regular
8	68857	4	4 Flat Washer SS	ns	68853†	1	Throttle Bracket – Tecumseh
G = Grade				SS = Stainless Steel			

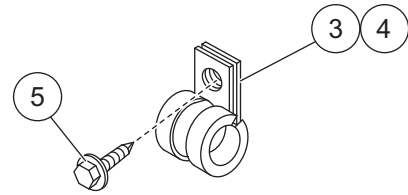
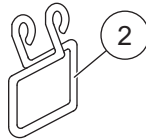
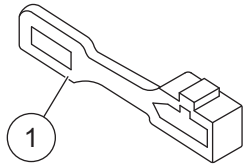
* Used with Throttle Motor type A.

† Used with Throttle Motor type B.



Type B motor is no longer available. For service, use Item 1 in the above parts list.

ELECTRICAL COMPONENTS PARTS LIST



Miscellaneous Electrical Components							
Item	Part	Qty	Description	Item	Part	Qty	Description
1	61548K	1	Plug Cover	ns	67241	1	Clutch Ground Wire
2	49304K	1	Plug Retainer Kit (2 hooks)	ns	67527	1	Choke Switch Ground Wire
3	65340	AR	Clamp Loop #10	ns	66130	AR	Split Rubber Grommet 3/8 ID
4	65190	AR	Clamp Loop #6	ns	56099	1	Dielectric Grease Tube
5	93148	AR	1/4-14 x 3/4 Self-Driving Tap Screw	ns	67537	1	Relay Wire (white) – Premium Control
AR = As Required				ns = not shown			



Western Products
PO Box 245038
Milwaukee, WI 53224-9538
www.westernplows.com

Copyright © 2013 Douglas Dynamics, L.L.C. All rights reserved. This material may not be reproduced or copied, in whole or in part, in any printed, mechanical, electronic, film or other distribution and storage media, without the written consent of Western Products. Authorization to photocopy items for internal or personal use by Western Products outlets or spreader owner is granted.

Western Products reserves the right under its product improvement policy to change construction or design details and furnish equipment when so altered without reference to illustrations or specifications used. Western Products or the vehicle manufacturer may require or recommend optional equipment for spreaders. Do not exceed vehicle ratings with a spreader. Western Products offers a limited warranty for all spreaders and accessories. See separately printed page for this important information. The following are registered (®) or unregistered (™) trademarks of Douglas Dynamics, L.L.C.: ICE BREAKER™, WESTERN®.

Printed in U.S.A.