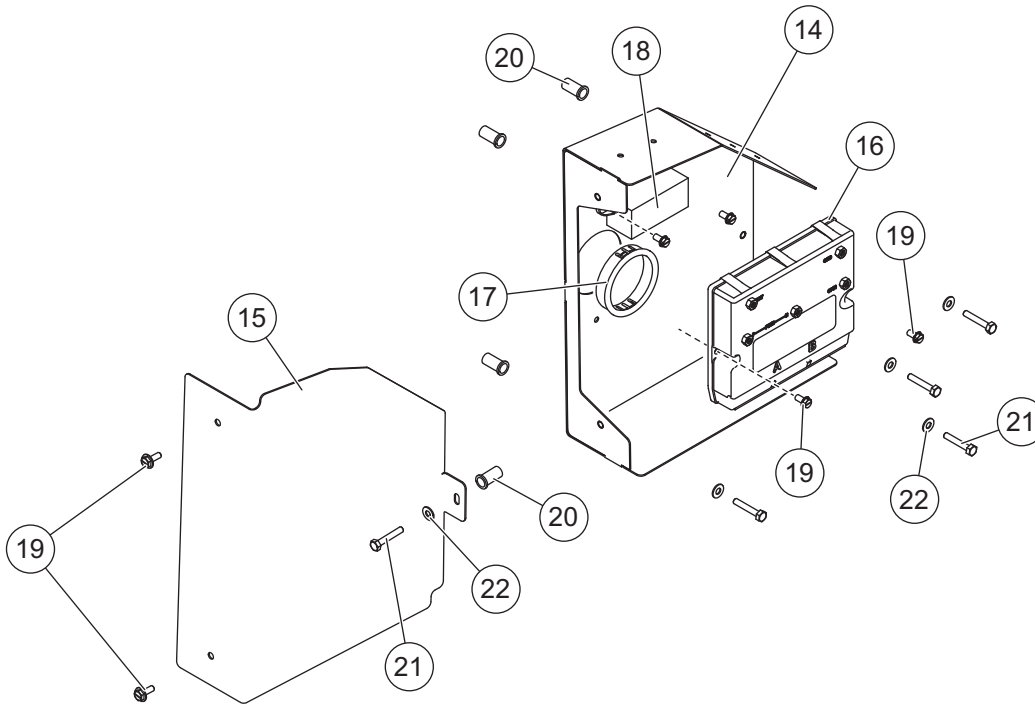


# Tornado™ HOPPER SPREADER

## ELECTRICAL ENCLOSURE COMPONENTS



Cables & Harnessing / Electrical Enclosure Assembly							
Item	Part	Qty	Description	Item	Part	Qty	Description
1	78402	1	Vehicle-Side Harness Kit	4	78415	1	Spinner Motor Cable Assy, Hopper
2	78417	1	Hopper Harness Assembly	5	78412	1	Spinner Motor Cable Assembly, Chute
3	78418	1	Harness Assembly, Module to Conveyor Motor	6	78394	1	Cable Assembly, Mod. to Isolated Stud
				7	69916	1	8-Pin Cable Boot
<b>Item 1 78402 Vehicle-Side Harness Kit</b>							
8	69902	1	Vehicle Control Harness	12	95836	1	Fuse, 100A
9	76057	1	Vehicle Harness*	13	95837	1	Fuse Holder
10	99759	1	Plug Cover	ns		6	Cable Tie, HD
11	22511	1	22" Battery Cable – Red	ns		10	Cable Tie, 15.35"
<b>Electrical Enclosure Assembly</b>							
14	95073	1	Electrical Enclosure Body	19		6	1/4-20 x 1/2 Hex Washer-Head Machine Screw SS
15	99745	1	Electrical Enclosure Cover	20	78263	5	Well Nut
16	52385	1	4-Post Spreader Module	21		5	1/4-20 x 1-1/2 Hex Cap Screw SS
17	78434	1	Snap-In Grommet	22		5	1/4 Flat Washer SS
18	95837	1	Isolated Stud Block				
ns = not shown				SS = Stainless Steel			

\* Includes plug cover (item 10).