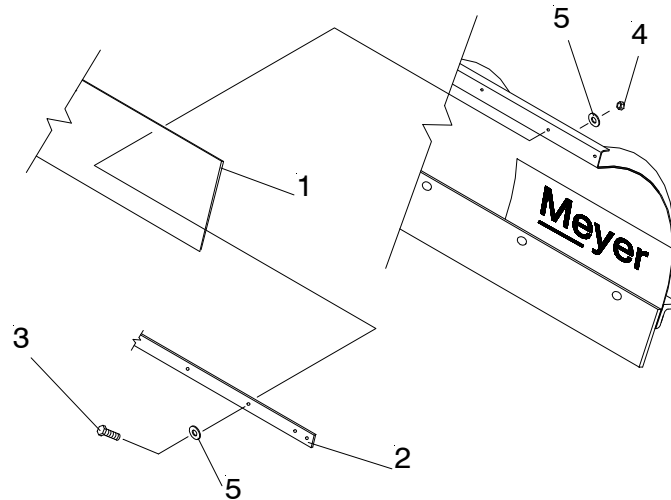


PARTS & INSTALLATION INSTRUCTIONS

MEYER RUBBER & POLY SNOW DEFLECTOR



5.0', 6.0', 6.5', 6'-8", and 7.0' MOLDBOARDS:

Position Deflector (1) on Moldboard. Using holes in Reinforcement Bar (2) as a template, drill 5/16" holes in Deflector (1) and Moldboard. Attach using 1/4" x 1-1/4" Bolts (3), Flatwashers (5) and Locknuts (4).

No drilling required for molboards manufactured after June 2005.

7.5', 8.0', 8.5', 9.0' and 10.0' MOLDBOARDS:

Position Deflector (1) on Moldboard. Using holes in Reinforcement Bar (2) as a template, drill 3/8" holes in Deflector (1) and Moldboard. Attach using 3/8" x 1-1/4" Bolts (3), Flatwashers (5) and Locknuts (4).

No drilling required for molboards manufactured after June 2005.

RUBBER DEFLECTOR PARTS LIST (All Moldboards By Size unless specified)

Item	5.0'	6.0'	6.5'	6'-8"	7.0'	Qty	Description	Item	7.5'	8.0'	8.5'	9.0'	10.0'	Qty	Description
	08238	08103	08106	08107	08108		Carton (Deflector)		08109	08111	08112	08113	08114		Carton (Deflector)
1	13087	13046	13047	13048	13049	1	•Deflector	1	13050	13051	13052	13053	13054	1	•Deflector
2	13088	12028	12486	12707	12087	1	•Bar Strap	2	12487	12497	12498	12031	12032	1	•Bar Strap
	08612	08612	08612	08612	08612	1	•Hardware Bag		08614	08614	08614	08614	08614	1	•Hardware Bag
3	21835	21835	21835	21835	21835	9	••Bolt 1/4-20 x 1-1/4"	3	20050	20050	20050	20050	20050	15	••Bolt 3/8-16 x 1-1/4"
4	20312	20312	20312	20312	20312	9	••Locknut 1/4-20	4	20314	20314	20314	20314	20314	15	••Locknut 3/8-16
5	20351	20351	20351	20351	20351	18	••Flatwasher 1/4	5	20353	20353	20353	20353	20353	30	••Flatwasher 3/8

Parts indented are included in bag or assembly under which they are indented.

POLY DEFLECTOR PARTS LIST (All Moldboards By Size unless specified)

Item	6.5'	7.0'	Qty	Description	Item	7.5'	8.0'	8.5'	9.0'	10.0'	Qty	Description
	12466	12089		Carton (Deflector)		12078	12024	12025	12123	12124		Carton (Deflector)
1	12470	12088	1	•Deflector	1	12073	12009	12014	12118	12119	1	•Deflector
2	12486	12087	1	•Bar Strap	2	12487	12497	12498	12031	12032	1	•Bar Strap
	08612	08612	1	•Hardware Bag		08614	08614	08614	08614	08614	1	•Hardware Bag
3	21835	21835	9	••Bolt 1/4-20 x 1-1/4"	3	20050	20050	20050	20050	20050	15	••Bolt 3/8-16 x 1-1/4"
4	20312	20312	9	••Locknut 1/4-20	4	20314	20314	20314	20314	20314	15	••Locknut 3/8-16
5	20351	20351	18	••Flatwasher 1/4	5	20353	20353	20353	20353	20353	30	••Flatwasher 3/8

Parts indented are included in bag or assembly under which they are indented.

When ordering a snow deflector for the MAX™ moldboards, order the Deflector w/Decal only No other Hardware is needed.

Meyer Products reserves the right, under its continuing product improvement program, to change construction or design details, specifications and prices without notice or without incurring any obligations.