

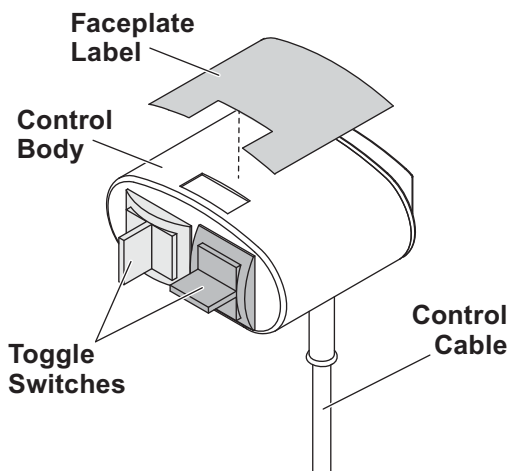
Control Kit

Mid-Duty UTV Snowplows

OPERATING INSTRUCTIONS

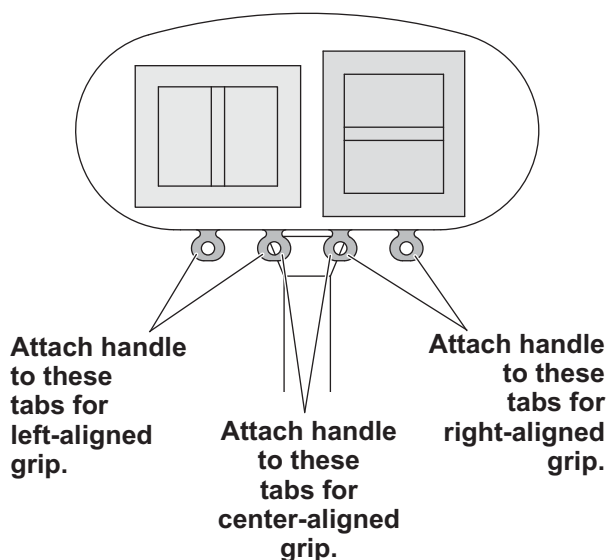
⚠ WARNING
To prevent accidental movement of the blade, always unplug the control whenever the snowplow is not in use.

The hand-held control is electrically powered through the ignition (key) switch of your vehicle and are protected by a replaceable in-line fuse.

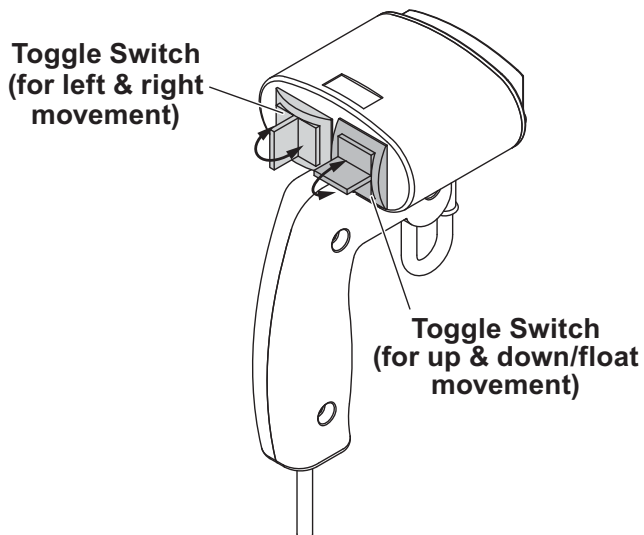


Three Handle Grip Positions

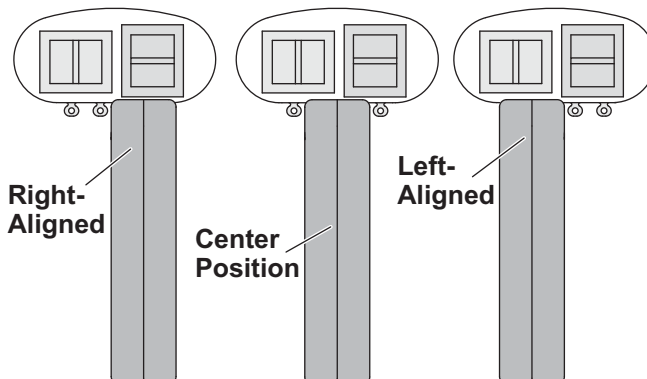
The handle grip on the control can be positioned three ways – left-aligned, right-aligned, or in the center position.



Hand-Held Control



Handle Grip Options

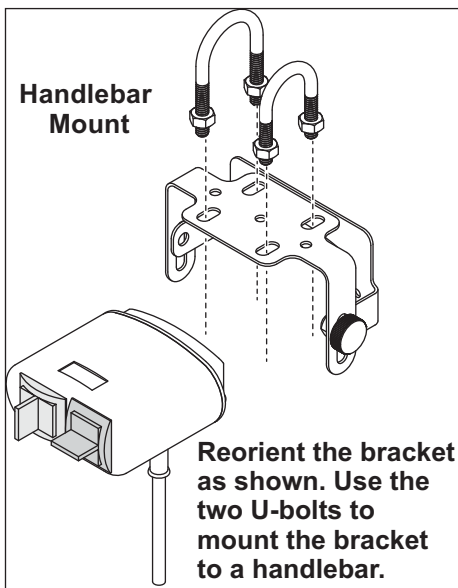
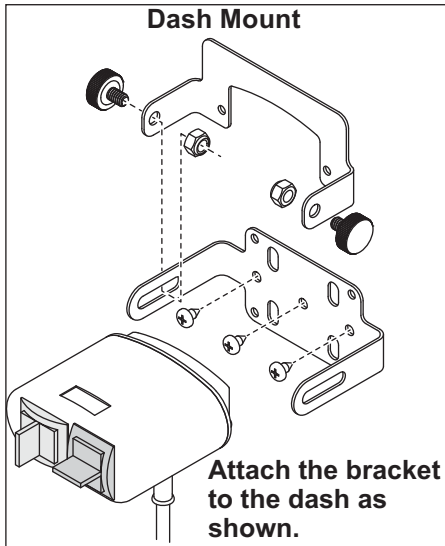


Mounting the Control

Using the mounting bracket and hardware, the control can also be dash mounted or mounted on a handlebar, if preferred.

In-Season Maintenance

Store the control in a protected location when it is not in use. Do not leave it in the vehicle. The control can fail prematurely if it is exposed to the elements when not in use.

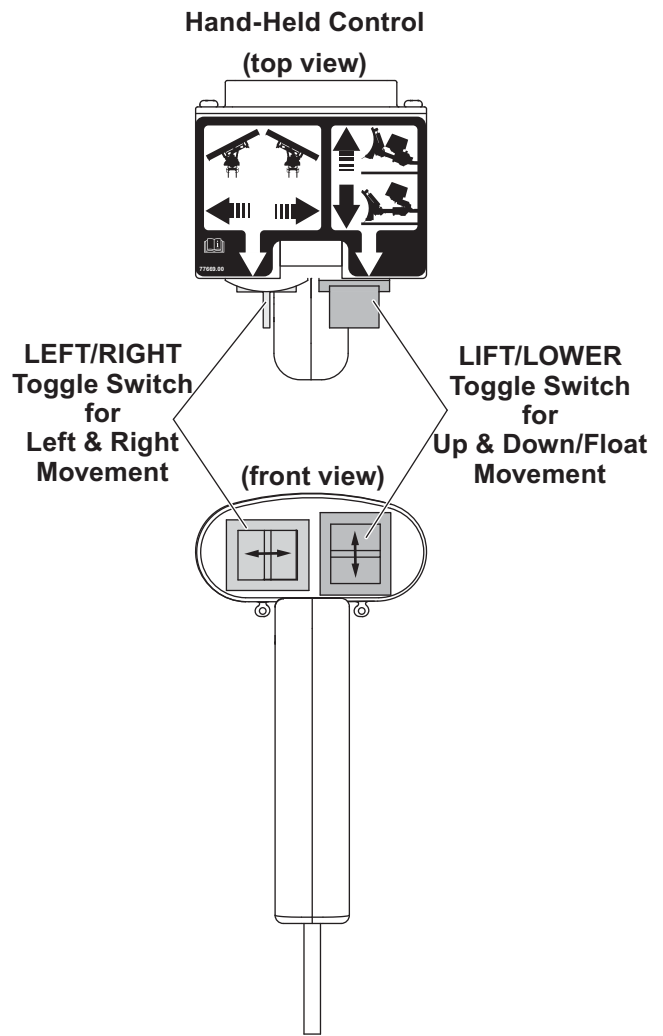


Control Functions

⚠ WARNING

To prevent accidental movement of the blade, always unplug the control whenever the snowplow is not in use.

Function	Description of Operation
RAISE	Press the LIFT/LOWER toggle switch UP to raise the blade and cancel the FLOAT mode. Release switch once blade is raised. There is no time out.
LOWER	Press the LIFT/LOWER toggle switch DOWN to lower the blade. Place LIFT/LOWER toggle switch in middle position to stop blade at desired height.
FLOAT	Press the LIFT/LOWER toggle switch DOWN to latching position. The blade will lower to the ground surface and follow the contour of the surface as it dips or rises. This function does not time out. Press the LIFT/LOWER toggle switch UP momentarily to cancel FLOAT. Angling left or right will not interrupt (pause) the FLOAT function. Place LIFT/LOWER toggle switch in middle position to stop blade at desired height.
LEFT (Angle Left)	Press the LEFT/RIGHT toggle switch to the LEFT to move the blade into the angle left position. Release toggle switch when blade is in desired position. There is no time out.
RIGHT (Angle Right)	Press the LEFT/RIGHT toggle switch to the RIGHT to move the blade into the angle right position. Release toggle switch when blade is in desired position. There is no time out.



Copyright © 2021 Douglas Dynamics, LLC. All rights reserved. This material may not be reproduced or copied, in whole or in part, in any printed, mechanical, electronic, film, or other distribution and storage media, without the written consent of the company. Authorization to photocopy items for internal or personal use by the company's outlets or snowplow owner is granted.

The company reserves the right under its product improvement policy to change construction or design details and furnish equipment when so altered without reference to illustrations or specifications used. This equipment manufacturer or the vehicle manufacturer may require or recommend optional equipment for snow removal. Do not exceed vehicle ratings with a snowplow. The company offers a limited warranty for all snowplows and accessories. See separately printed page for this important information.

Printed in U.S.A.
