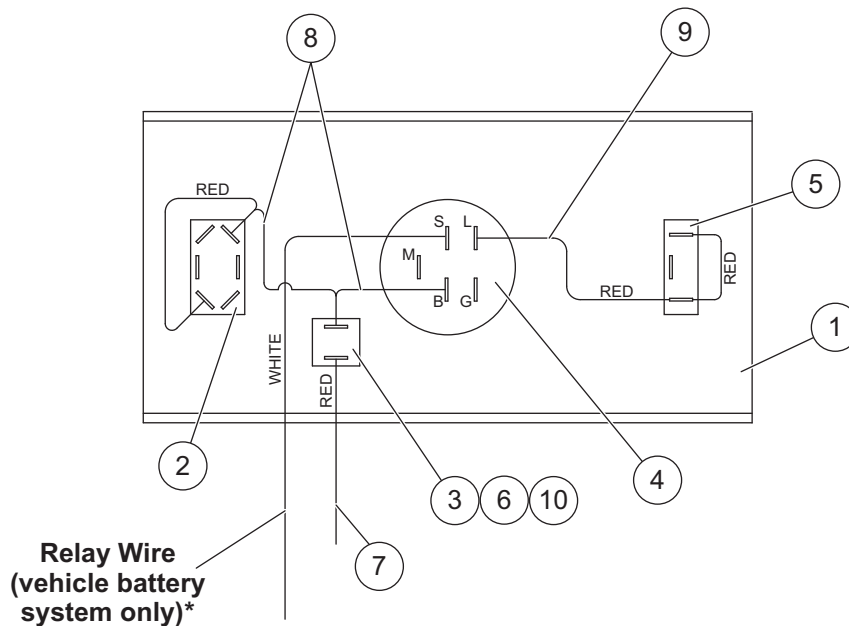




# Standard Cab Control and Electrical Components Hopper Spreaders

**PARTS LIST**

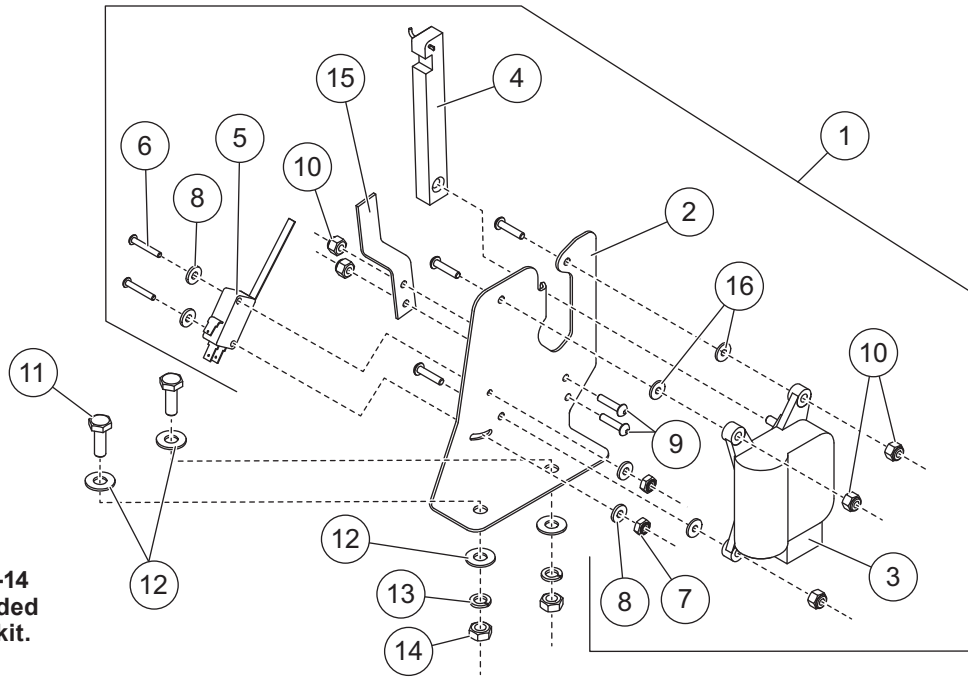


65669 Standard Cab Control							
Item	Part	Qty	Description	Item	Part	Qty	Description
1	9427	1	Control Panel	7		1	Power Wire – Red
2	9422	1	Electric Throttle Switch	8		1	Jumper Wire – Red, 4-Terminal
3	67026	1	Fuse Holder	9		1	Jumper Wire – Red, 3-Terminal
4	20162	1	Keyed Ignition Switch	10	65366	1	Fuse 3AG – 10-amp
5	9237K	1	Clutch Switch Kit	ns	65368	1	Key, Hopper Spreader
6	67027	1	Fuse Cap				

ns = not shown

This Parts List is for FISHER® Hopper Spreaders with serial numbers  
4764 and higher.

# STANDARD CAB CONTROL & ELECTRICAL COMPONENTS



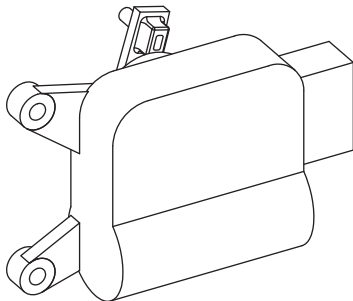
Items 11-14  
not included  
in 69781 kit.

Electric Throttle Components – Honda Engine							
Item	Part	Qty	Description	Item	Part	Qty	Description
1	69781	1	Electric Throttle Motor Kit – Honda (includes items 2-10, 15, 16)	10		3	6-32 Hex Locknut GB SS
2	69769*	1	Throttle Bracket – Honda	11		2	1/4-20 x 3/4 Hex Cap Screw G5 SS
3		1	Electric Throttle Motor – Honda	12		4	1/4 Flat Washer
4	69767*	1	Electric Throttle Arm – Honda 4"	13		2	1/4 Spring Lock Washer
5	68863	1	Choke Light Switch	14		2	1/4-20 Hex Nut G5
6		2	4-40 x 3/4 Button Cap Screw SS	15	94574-1	1	Throttle Retainer – Honda
7		2	4-40 Hex Locknut GB SS	16	M2052	3	Flat Washer M5 Regular
8		4	4 Flat Washer SS	ns	94573†	1	Throttle Bracket – Honda
9		3	6-32 x 5/8 Button Cap Screw SS	ns	94572†	1	Electric Throttle Arm – Honda 3-3/4"
			ns = not shown				G = Grade
							SS = Stainless Steel

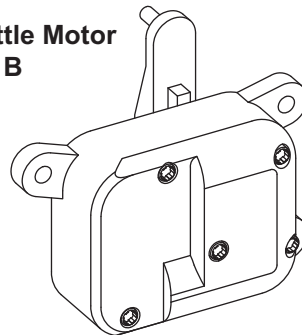
\* Used with Throttle Motor type A.

† Used with Throttle Motor type B.

**Throttle Motor  
Type A**



**Throttle Motor  
Type B**

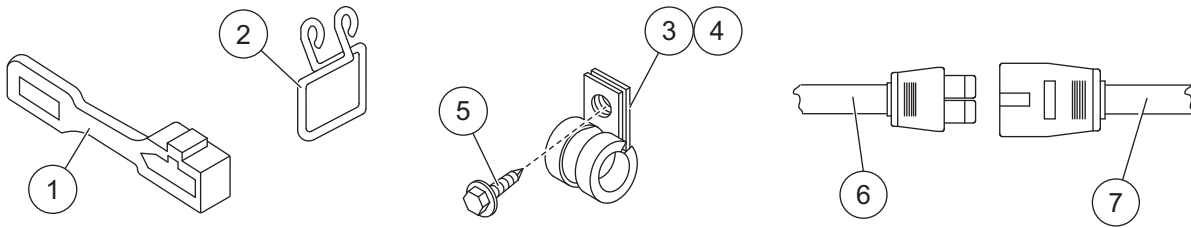


**Type B motor is no longer available. For service, use Item 1 in the above parts list.**





# STANDARD CAB CONTROL & ELECTRICAL COMPONENTS



Miscellaneous Electrical Components						
Item	Part	Qty	Description	Item	Part	Qty Description
1	8291K	1	Plug Cover	7	20073	1 Spreader Harness, Briggs & Stratton
2	62057	2	Hook		67482	1 Spreader Harness, Tecumseh
3	65340	AR	Clamp Loop #10	ns	66130	AR Rubber Grommet 3/8 ID
4	9415	AR	Clamp Loop #6	ns	8329K	1 Dielectric Grease Tube
5	93148	AR	1/4 x 3/4 Self-Driving Tap Screw	ns	65384	1 Relay Wire – White (vehicle battery system only)
6	20072	1	Vehicle Harness			
			ns = not shown	AR = as required		

---

Copyright © 2014 Douglas Dynamics, LLC. All rights reserved. This material may not be reproduced or copied, in whole or in part, in any printed, mechanical, electronic, film or other distribution and storage media, without the written consent of Fisher Engineering. Authorization to photocopy items for internal or personal use by Fisher Engineering outlets or spreader owner is granted.

Fisher Engineering reserves the right under its product improvement policy to change construction or design details and furnish equipment when so altered without reference to illustrations or specifications used. Fisher Engineering or the vehicle manufacturer may require or recommend optional equipment for spreaders. Do not exceed vehicle ratings with a spreader. Fisher Engineering offers a limited warranty for all spreaders and accessories. See separately printed page for this important information. The following are registered (®) or unregistered (™) trademarks of Douglas Dynamics, LLC: FISHER®.

**Printed in U.S.A.**