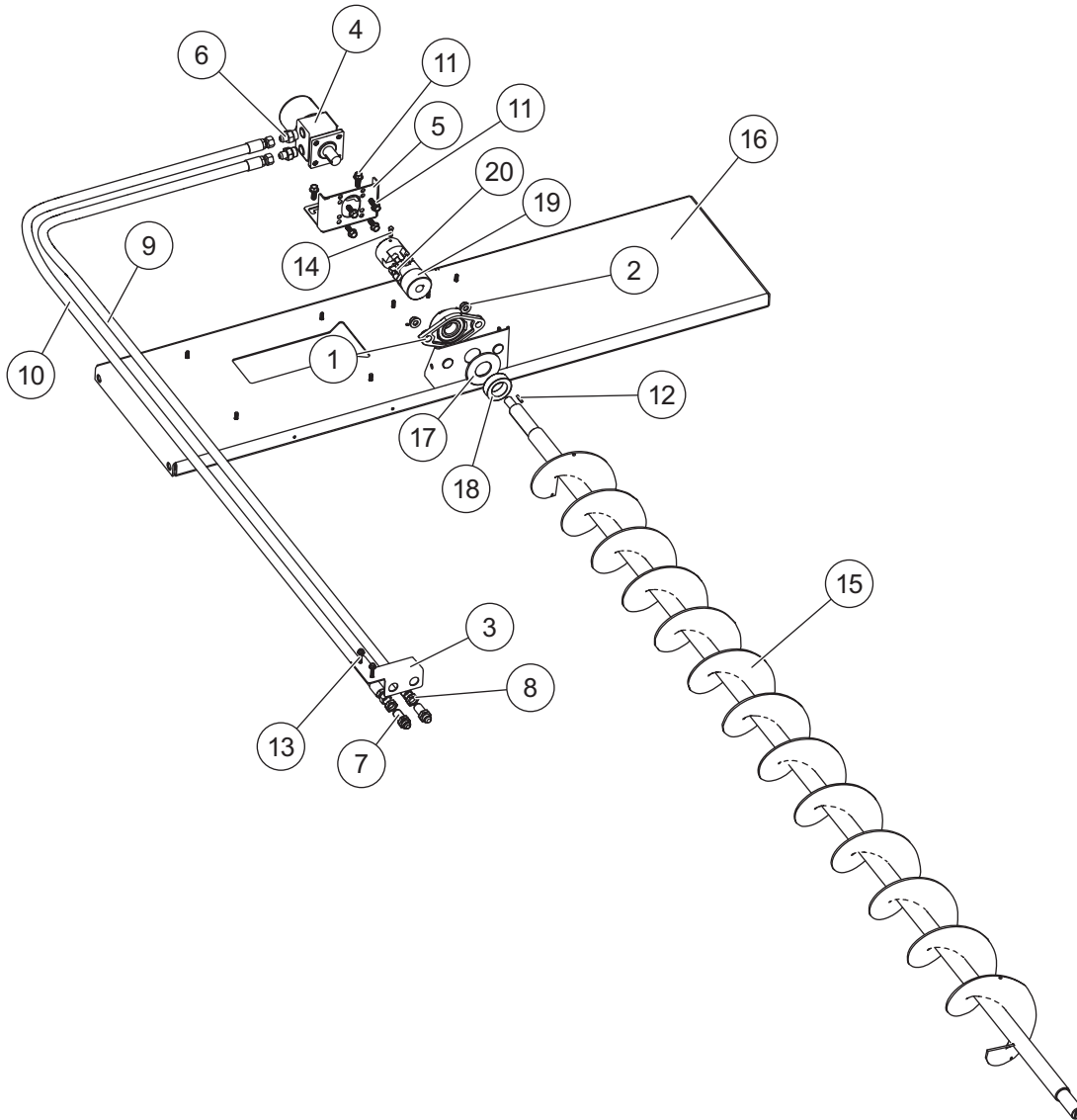


# 9300XH Super Maxx™ HOPPER SPREADER

## AUGER DRIVE ASSEMBLY



Item	Part	Qty	Description	Item	Part	Qty	Description
1	D5382	1	1-1/4 Bearing, 2-Bolt Flange	11	D6452	8	3/8-16 x 1 Serrated Flange Bolt
2	D5535	1	1/2-13 Serrated Flange Nut	12	D6873	1	3/16 x 1-1/4 Plain Keystock
3	D5759	1	Bulkhead Bracket	13	D6874	2	1/4 x 1-1/2 Driller Screw
4	D5760	1	Auger Motor, Hydraulic	14	D7162	2	5/16-18 x 3/4 Square Head Set Screw
5	D5761	1	Auger Motor Mount Bracket	15	F50444	1	Auger
6	D5767	2	Hydraulic Auger Motor Hose	16	F50374	1	Auger Drive Mounting Plate
7	D5768	2	Hydraulic Hose Bulkhead	17	F50509	1	1-1/2 Flat Washer
8	D5769	2	Bulkhead Fitting Nut	18	F50510	1	1-9/16 Shaft Collar w/Set Screw
9	D5779	1	Auger Motor Hose	19	F50513	2	3/4 Jaw-Coupling Hub L100
10	D5779-1	1	Auger Motor Hose	20	F50514	1	Jaw-Coupling Spider L100

# 9300XH Super Maxx™ HOPPER SPREADER

## AUGER EXTENSION ASSEMBLY

