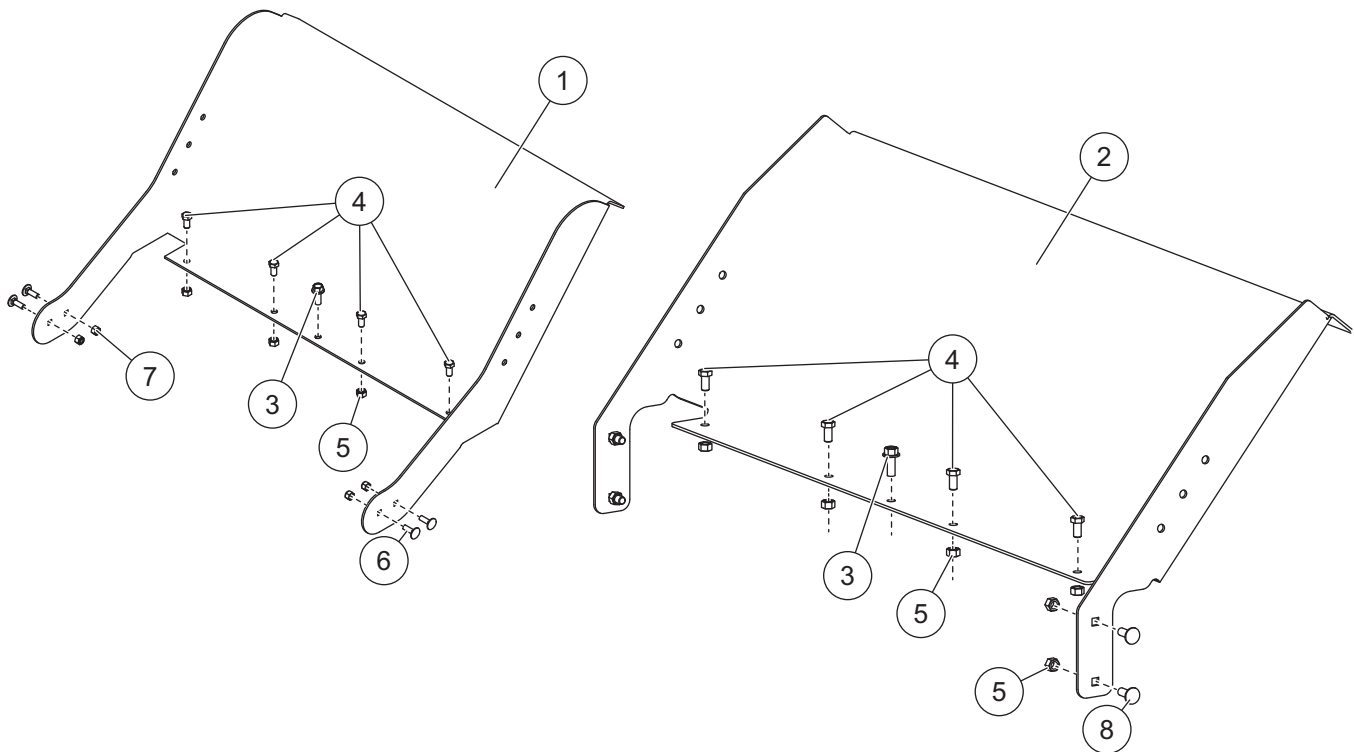


Spill Guard Kit

0.35 yd³ & 0.7 yd³ Stainless Steel Hopper Spreaders

PARTS LIST



85696 Spill Guard Kit – 0.35 yd ³ Spreader							
Item	Part	Qty	Description	Item	Part	Qty	Description
1	96685	2	Spill Guard – 0.35 yd ³	ns	92050	1	Bolt Bag – 0.35 yd ³ Spreader
92050 Bolt Bag – 0.35 yd ³ Spreader							
3		2	3/8-16 x 1 Serrated Flange Hex Cap Screw SS	5		8	3/8-16 Hex Locknut GB SS
4		8	3/8-16 x 3/4 Hex Cap Screw SS	6		8	5/16-18 x 1 Carriage Bolt
				7		8	5/16-18 Hex Locknut GB SS
85697 Spill Guard Kit – 0.7 yd ³ Spreader							
2	96680	2	Spill Guard – 0.7 yd ³	ns	96695	1	Bolt Bag – 0.7 yd ³ Spreader
96695 Bolt Bag – 0.7 yd ³ Spreader							
3		2	3/8-16 x 1 Serrated Flange Hex Cap Screw SS	5		16	3/8-16 Hex Locknut GB SS
4		8	3/8-16 x 3/4 Hex Cap Screw SS	8		8	3/8-16 x 1 Carriage Bolt
ns = not shown		G = Grade			SS = Stainless Steel		

INSTALLATION INSTRUCTIONS

For 0.35 yd³ Hopper Spreaders:

⚠ WARNING

Do not exceed GVWR or GAWR ratings as found on the driver-side vehicle door cornerpost.

⚠ CAUTION

Read this document before installing the spill guard kit.

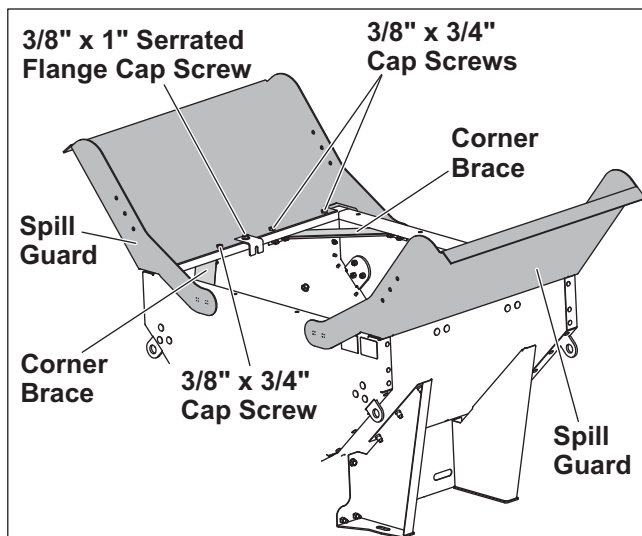
⚠ CAUTION

Use standard methods and practices when attaching spreader and installing accessories, including proper personal protective safety equipment.

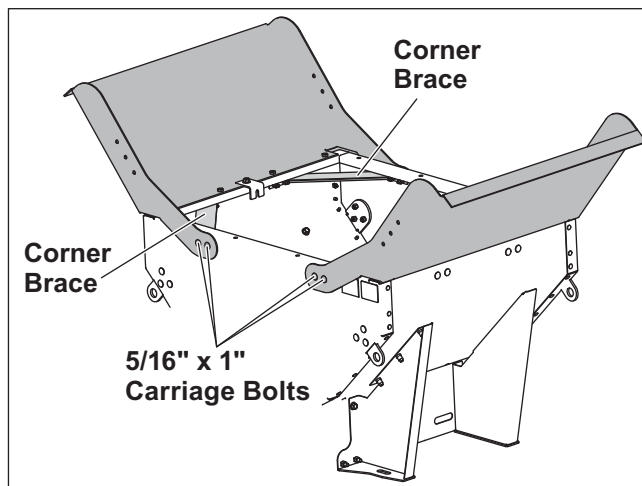
NOTE: Apply anti-seize lubricant to all hardware to prevent galling.

1. Park the vehicle on a smooth, level, hard surface, such as concrete. Turn the vehicle ignition OFF and remove the key.
2. Remove the top screen brackets and the top screen. Set the brackets and screen aside for later use.
3. Remove and discard the corner brace hardware (eight 5/16" carriage bolts and 5/16" nuts) from the front and rear faces of the hopper. The spill guards will be installed using these bolting locations.
4. Install the spill guards on the top of the driver's side and passenger's side of the hopper, making sure that the holes on the bottom of the extensions match the holes on the top of the hopper assembly.

5. Fasten the extensions to the top of the hopper using eight 3/8" x 3/4" cap screws and eight 3/8" locknuts.



6. Install two 5/16" x 1" carriage bolts through the corner brace and the flange of the spill guard. Fasten with 5/16" locknuts. Repeat for all four corner braces.



7. Tighten all fasteners.
8. Reinstall the top screen.
9. Reinstall the top screen brackets into the rivnuts on the top of the driver-side and passenger-side hopper sides using two 3/8" x 1" serrated flange cap screws to secure the screen in place.

For 0.7 yd³ Hopper Spreaders:**⚠ WARNING**

Do not exceed GVWR or GAWR ratings as found on the driver-side vehicle door cornerpost.

⚠ CAUTION

Read this document before installing the spill guard kit.

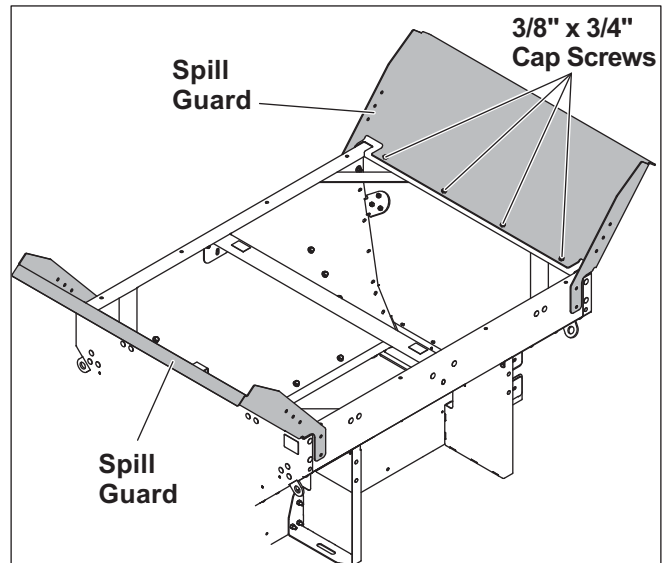
⚠ CAUTION

Use standard methods and practices when attaching spreader and installing accessories, including proper personal protective safety equipment.

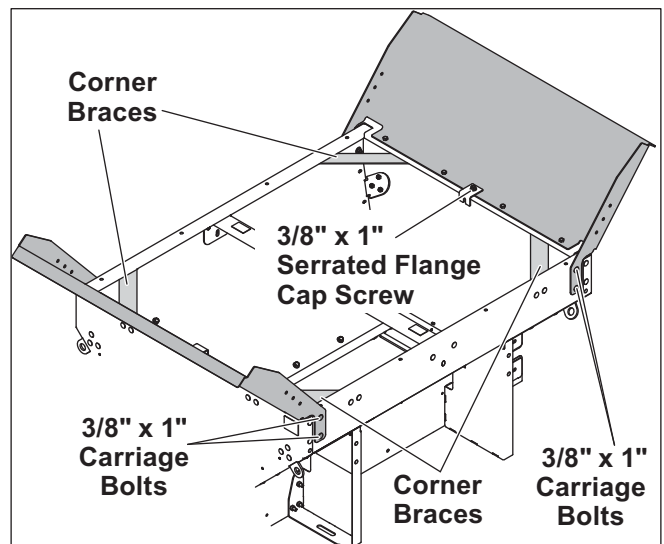
NOTE: Apply anti-seize lubricant to all hardware to prevent galling.

1. Park the vehicle on a smooth, level, hard surface, such as concrete. Turn the vehicle ignition OFF and remove the key.
2. Remove the top screen brackets, and remove the top screen. Set the brackets and screen aside for later use.
3. Remove all eight knockouts on the front and back of each hopper side, creating the desired holes.
4. Install the spill guards on the top of the hopper, making sure that the holes on the bottom of the extensions match the holes on the top of the hopper assembly.

5. Fasten the extensions to the top of the hopper using eight 3/8" x 3/4" cap screws and eight 3/8" locknuts.



6. Install two 3/8" x 1" carriage bolts through the corner brace and the flange of the spill guard. Fasten with 3/8" locknuts. Repeat for all four corner braces.



7. Tighten all fasteners.
8. Replace the top screen.
9. Reinstall the top screen brackets into the rivnuts on the top of the front and rear hopper end caps using two 3/8" x 1" serrated flange cap screws to secure the screen in place.

Copyright © 2020 Douglas Dynamics, LLC. All rights reserved. This material may not be reproduced or copied, in whole or in part, in any printed, mechanical, electronic, film, or other distribution and storage media, without the written consent of the company. Authorization to photocopy items for internal or personal use by the company's outlets or spreader owner is granted.

The company reserves the right under its product improvement policy to change construction or design details and furnish equipment when so altered without reference to illustrations or specifications used. This equipment manufacturer or the vehicle manufacturer may require or recommend optional equipment for spreaders. Do not exceed vehicle ratings with a spreader. The company offers a limited warranty for all spreaders and accessories. See separately printed page for this important information.

Printed in U.S.A.
