



IMPACT™ Mid-Duty UTV Straight Blade

Blade Assembly 74365
Big Box Assembly 87515

Parts List

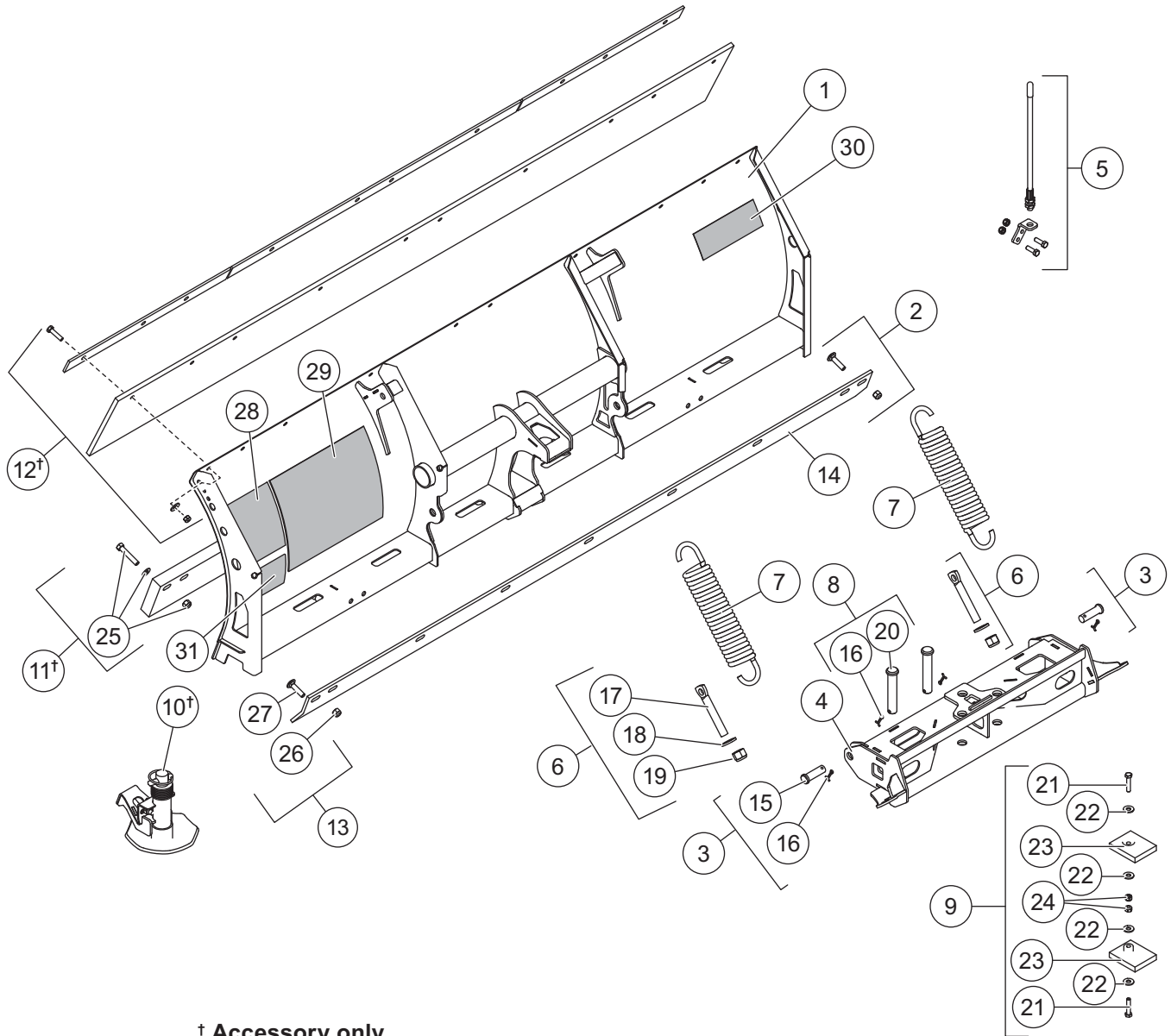


TABLE OF CONTENTS

IMPACT™ MID-DUTY UTV STRAIGHT BLADE ASSEMBLY	4
HEADGEAR, LINK ARMS & ANGLE FRAME ASSEMBLY	6
HYDRAULIC COMPONENTS.....	8
Hydraulic Unit.....	8
Lift and Angle Rams	10
Hoses and Fittings.....	10
VEHICLE-SIDE HARNESS DIAGRAM.....	11

IMPACT™ MID-DUTY UTV STRAIGHT BLADE 74365

Blade Components and Accessories



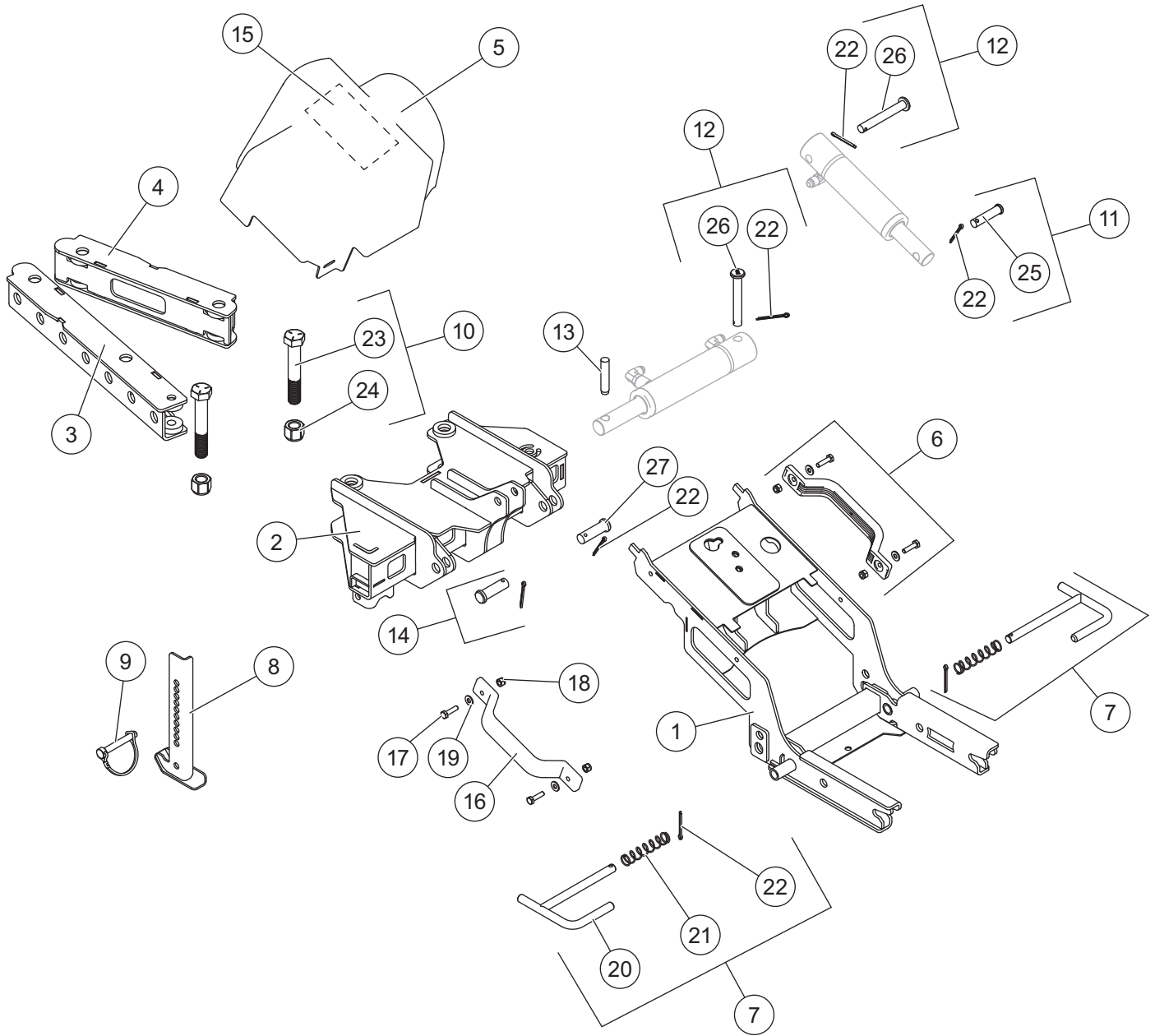
IMPACT™ MID-DUTY UTV STRAIGHT BLADE 74365

IMPACT™ Mid-Duty UTV Straight Blade Components							
Item	Part	Qty	Description	Item	Part	Qty	Description
1	80120	1	MD UTV Blade with Labels	8	76886	2	Pivot Pin Kit (for link arms)
2	91290	1	1/4 Steel Cutting Edge Kit (5'6")	9	76887	1	Rubber Bumper Kit
3	50651	2	Clevis Pin Kit w/Cotter (blade to quad)	10†	74239	1	Shoe Assembly Kit (2 shoes per kit)
4	80308	1	Quadrant	11†	91210	1	Poly Cutting Edge Kit (5'6")
5	74222	1	Blade Guide Kit	ns	78516†	1	3/8 Steel Cutting Edge Kit (5'6")
6	84702	2	Eyebolt Kit	12†	91235	1	Rubber Deflector Kit (5'6")
7	B61167	2	Trip Spring	ns	76876	1	Blade Label Kit
Item 2				91290 1/4 Steel Cutting Edge Kit (5'6")			
13	91310	1	Cutting Edge Bolt Bag	14		1	1/4 Steel Cutting Edge
Item 3				50651 Clevis Pin Kit w/Cotter			
15		2	5/8 x 2 Clevis Pin	16		2	5/32 x 1-1/2 Cotter Pin
Item 6				84702 Eyebolt Kit			
17		1	5/8-11 x 4 Eyebolt	19		1	5/8-11 Hex Locknut GB
18		1	5/8 Hardened Flat Washer				
Item 8				76886 Pivot Pin Kit (for link arms)			
16		1	5/32 x 1-1/2 Cotter Pin	20	66950	1	3/4 x 4 Clevis Pin
Item 9				76887 Rubber Bumper Kit			
21		2	5/16-18 x 1-1/2 Hex Cap Screw G5	23	27615	2	Rubber Bumper
22		4	5/16 Flat Washer	24		2	5/16-18 Hex Locknut GB
Item 11†				91210 Poly Cutting Edge Kit (5'6")			
		1	Poly Cutting Edge (5'6")	25	91270	1	Bolt Bag
Item 13				91310 Cutting Edge Bolt Bag			
26		9	3/8-16 Hex Locknut GB	27		9	3/8-16 x 1-1/2 Carriage Bolt G5
Item 25				91270 Bolt Bag			
		9	3/8-16 Hex Locknut GB			9	3/8 Flat Washer
		9	3/8-16 x 2 Hex Cap Screw GB				
				78516† 3/8 Steel Cutting Edge Kit (5'6")			
	31267	1	3/8 Cutting Edge 5'6"	13	91310	1	Cutting Edge Bolt Bag
				76876 Blade Label Kit			
28	84847	1	Label – Warning/Caution, UTV	31	30496	1	Label – Warning, High Pressure Fluid
29	88706	1	Label – Attach/Detach, MD UTV	ns	84771	1	Label – Logo, IMPACT™
30	28404	1	Label – Logo, ULTRAFINISH™	ns	69489	1	Label – Logo, WESTERN®
ns = not shown				G = Grade			

† Accessory only.

IMPACT™ MID-DUTY UTV STRAIGHT BLADE HEADGEAR & ANGLE FRAME

Headgear, Link Arms & Angle Frame Components

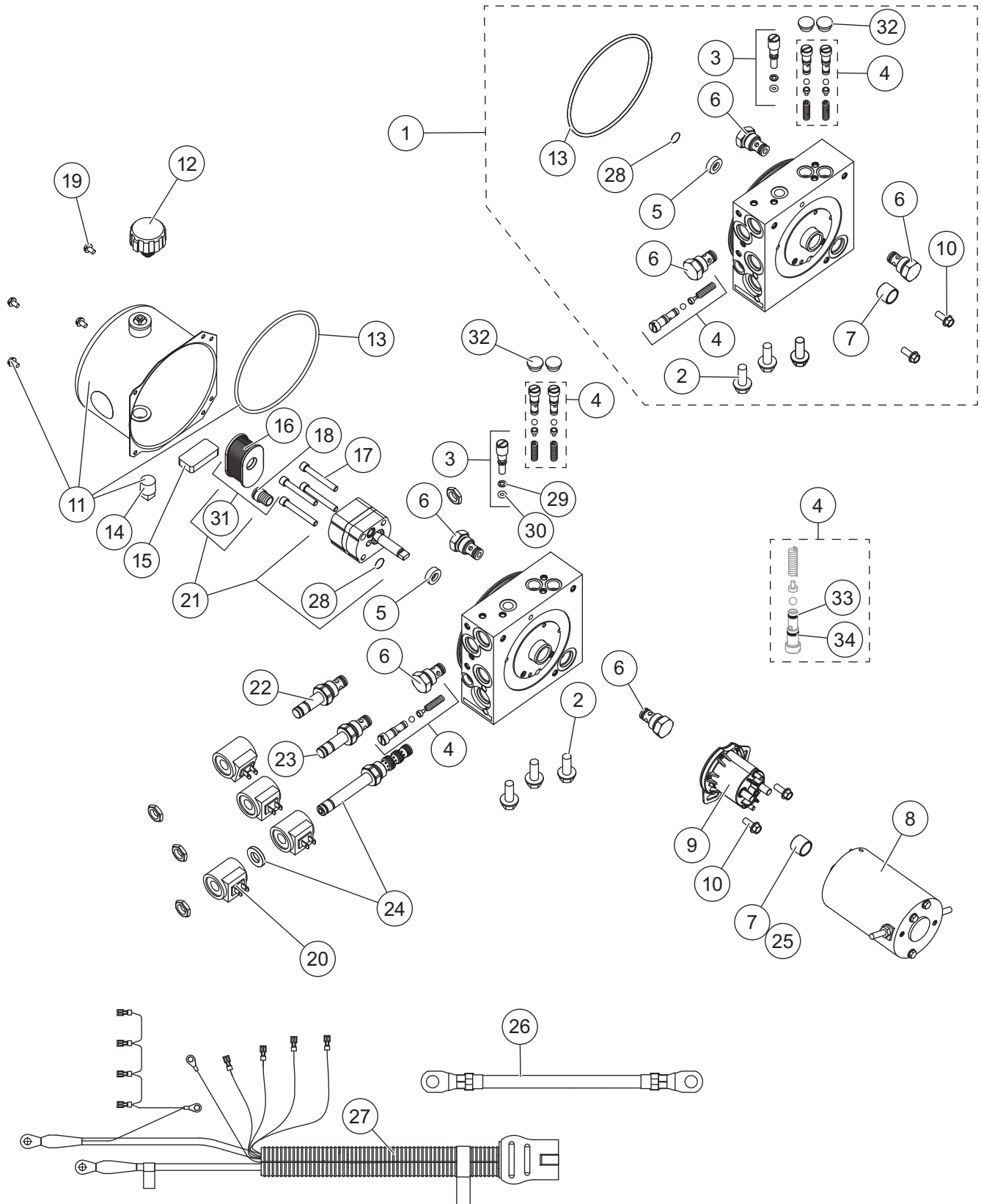


IMPACT™ MID-DUTY UTV STRAIGHT BLADE HEADGEAR & ANGLE FRAME

Mid-Duty UTV Straight Blade Headgear, Link Arms & Angle Frame Components							
Item	Part	Qty	Description	Item	Part	Qty	Description
1	81961	1	Headgear	9	77650	1	Wire-Lock Clevis Pin
2	81692	1	Angle Frame	10	81969	2	Link Arm Bolt Kit
3	81963	1	Drive Link Arm	11	76808	1	Pin Kit (for rod end of lift ram)
4	81964	1	Swing Link Arm	12	76809	2	Pin Kit (for base end of both rams)
5	81965	1	Hydraulic Cover (incl. item 15)	13	91514	1	Link Pin (for rod end of angle ram)
6	81966	2	Handle Kit	14	84905	2	DD Pin Kit (angle frame to headgear)
7	81967	2	Pull Pin Assembly Kit	15	74506	1	Label – Information, Hydraulic Unit
8	81968	1	Jack Leg				
Item 6				81966 Handle Kit			
16	78534	1	Handle	18		2	1/4-20 Hex Locknut GB
17		2	1/4-20 x 1 Hex Cap Screw G5	19		2	1/4 Washer
Item 7				81967 Pull Pin Assembly Kit			
20		1	Pull Pin	22		1	Cotter Pin
21		1	Spring				
Item 10				81969 Link Arm Bolt Kit			
23		1	3/4-10 x 4-1/2 Hex Cap Screw G5	24		1	3/4-10 Locknut GB
Item 11				76808 Pin Kit (for rod end of lift ram)			
22		1	5/32 x 1-1/2 Cotter Pin	25		1	1/2 x 2-1/8 Clevis Pin HT
Item 12				76809 Pin Kit (for base end of both rams)			
22		1	5/32 x 1-1/2 Cotter Pin	26		1	1/2 x 3-11/16 Clevis Pin HT
Item 14				84905 DD Pin Kit (angle frame to headgear)			
22		1	5/32 x 1-1/2 Cotter Pin	27		1	5/8 x 2 Clevis Pin
G = Grade				HT = Heat Treated			

IMPACT™ MID-DUTY UTV STRAIGHT BLADE HYDRAULIC COMPONENTS

Hydraulic Unit Components



IMPACT™ MID-DUTY UTV STRAIGHT BLADE HYDRAULIC COMPONENTS

85499 Hydraulic Unit							
Item	Part	Qty	Description	Item	Part	Qty	Description
1	76977	1	Manifold Assembly w/o Valves	16	56789-5	1	Suction Filter
2	72384-1	1	3/8-16 x 1 Serrated Flange Hex Cap Screw (pkg of 3)	17	88916	4	1/4-20 x 2 Socket-Head Cap Screw
3	48517	1	Quill	18	10887	1	Hydraulic Pump Inlet Fitting
4	49138K-5	2	Relief Valve Kit (2 sets)	19	66607	4	#10-24 x 5/16 Machine Screw
5	66515*	1	Pump Shaft Seal	20	49230K-2	4	Coil w/Spade Terminals
6	84934	3	Check Valve	21	80300	1	Hydraulic Pump Kit
7	56364†	1	Bearing Sleeve	22	49227K-2	1	Valve 2-Way w/Nut
8	48543-1	1	Motor Assembly, 3"	23	77099	1	Valve SV08-24 w/Nut
9	52290	1	Motor Relay	24	52285	1	Valve 4-Way 3-Position Closed Center w/Nut and Spacer
10	44355	2	1/4-20 x 5/8 Hex Washer-Head Thread-Rolling Screw	25	29071	1	8" Cable
11	76978	1	Reservoir Kit	26	80202	1	Plow Cable Assembly
12	21727-2K	1	Breather, Pressure Control	27	25730	1	O-Ring -012
13	66519	1	O-Ring 2-250	28	48240	1	Backup Ring -106
14	92079	1	Plug Square, 3/8 NPTF	29	48239	1	O-Ring -106
15	73897	1	Magnet	30	80307	1	Inlet Filter Kit
				31	56808	2	Plug
Item 1 76977 Primary Manifold w/o Valves							
2	72384-1	1	3/8-16 x 1 Serrated Flange Hex Cap Screw (pkg of 3)	7	56364†	1	Bearing Sleeve
3	48517	1	Quill	10	44355	2	1/4-20 x 5/8 Hex Washer-Head Thread-Rolling Screw
4	49138K-5	2	Relief Valve Kit (2 sets)	13	66519	1	O-Ring 2-250
5	66515*	1	Pump Shaft Seal	27	25730	1	O-Ring -012
6	84934	3	Check Valve	31	56808	2	Plug
Item 4 49138K-5 Relief Valve Kit (2 sets)							
	-	2	Relief Valve Assembly	33	25731	2	O-Ring -010
32	55371	2	O-Ring -008				
Item 11 76978 Reservoir Kit							
	-	1	Reservoir	14	92079	1	Plug, Square 3/8 NPTF
13	66519	1	O-Ring 2-250	19	66607	4	#10-24 x 5/16 Machine Screw
Item 21 80300 Hydraulic Pump Kit							
	-	1	Pump, Hydraulic	13	66519	1	O-Ring 2-250
16	56789-5	1	Suction Filter	27	25730	1	O-Ring -012
18	10887	1	Hydraulic Pump Inlet Fitting				
O-Ring Service Kits							
ns	52298-3	-	O-Ring Kit	ns	49259-2	-	Seal Kit Cartridge 3-Way and 4-Way Valve
ns	49258-2	-	Seal Kit 2-Way Valve				
ns = not shown				G = Grade			

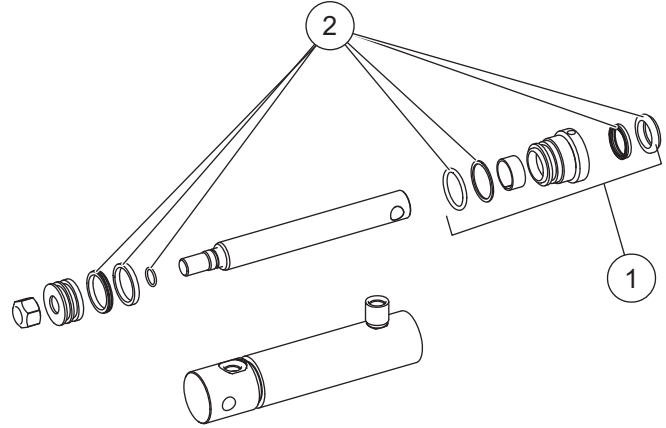
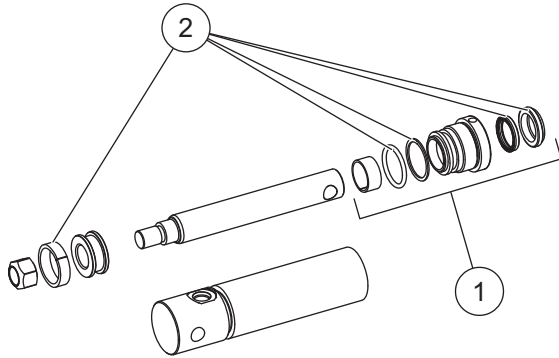
* Use 28856 tool for pump shaft seal replacement (includes 1 seal).

† Use 64589 tool for bearing sleeve replacement (includes 1 bearing).

Go to www.westernplows.com for hydraulic unit service information and specifications.

IMPACT™ MID-DUTY UTV STRAIGHT BLADE HOSES & RAM ASSEMBLIES

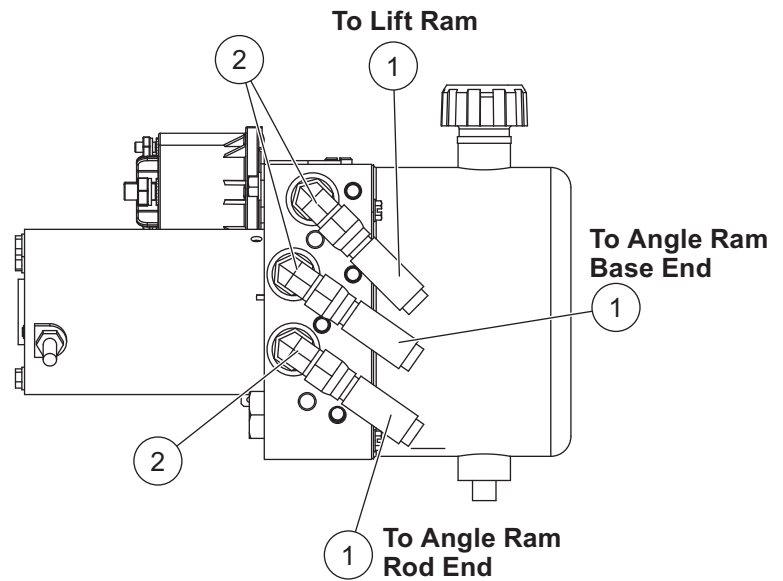
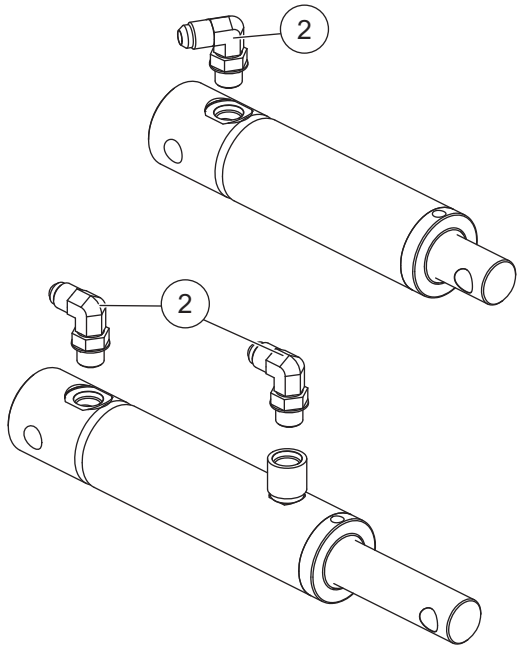
Lift and Angle Ram Components



31653 Lift Ram Assembly 1-1/2 x 3			
Item	Part	Qty	Description
1	92964	1	1" Gland Nut Assembly
2	92965	1	Seal Kit 1-1/2" SA Ram

31654 Angle Ram Assembly 1-1/2 x 4 DA			
Item	Part	Qty	Description
1	92964	1	1" Gland Nut Assembly
2	96275	1	Seal Kit 1-1/2" DA Ram

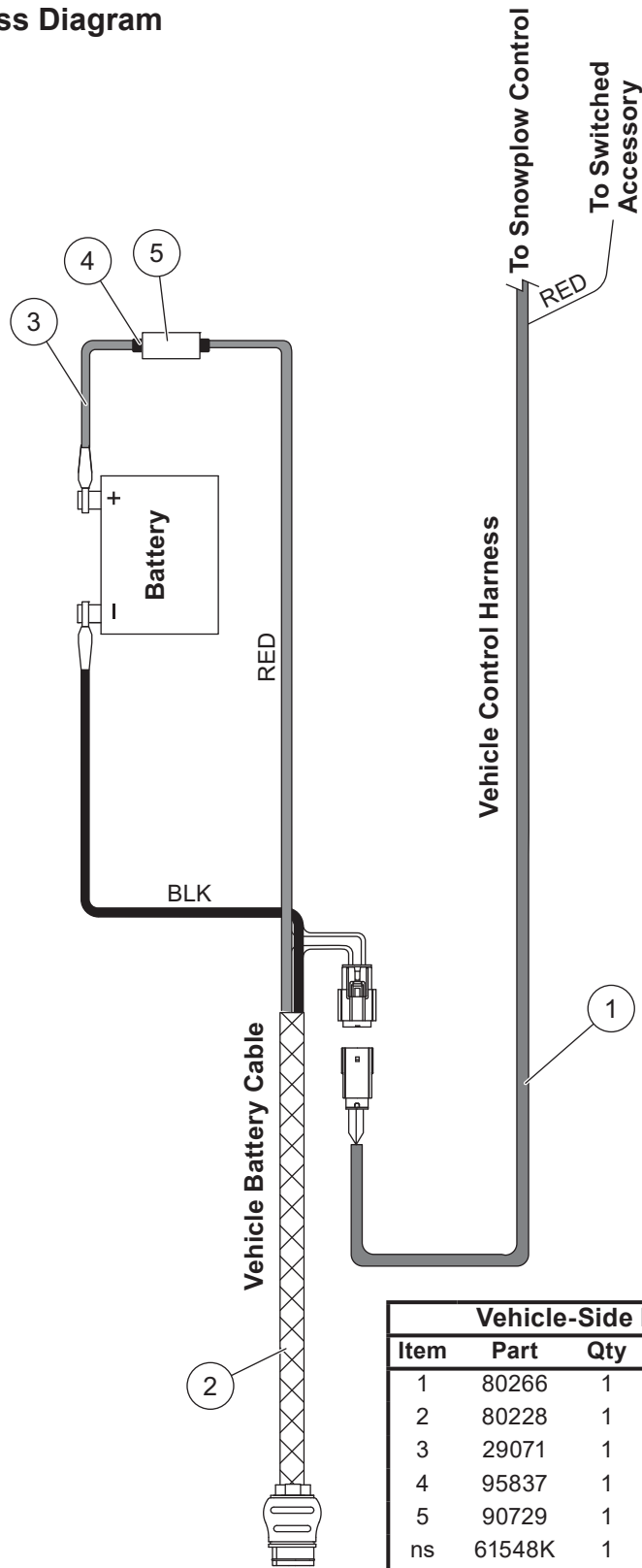
Hoses and Fittings



Hoses and Fittings							
Item	Part	Qty	Description	Item	Part	Qty	Description
1	84453	3	Hose, 1/4 x 20 w/F JIC Ends	ns	56823	1	Hose Wrap
2	56615-1	6	Elbow, 90° -6 M JIC/-6 M ORB				
F = Female				ns = not shown		M = Male	

IMPACT™ MID-DUTY UTV SB VEHICLE-SIDE HARNESS DIAGRAM

Vehicle-Side Harness Diagram



Vehicle-Side Electrical Components			
Item	Part	Qty	Description
1	80266	1	Vehicle Control Harness
2	80228	1	Vehicle Battery Cable
3	29071	1	8" Cable
4	95837	1	Fuse Holder
5	90729	1	200A Fuse
ns	61548K	1	Plug Cover (pkg of 2)
ns	56099	1	Dielectric Grease
ns = not shown			



Western Products
PO Box 245038
Milwaukee, WI 53224-9538
www.westernplows.com

 A DIVISION OF DOUGLAS DYNAMICS, LLC

Copyright © 2021 Douglas Dynamics, LLC. All rights reserved. This material may not be reproduced or copied, in whole or in part, in any printed, mechanical, electronic, film or other distribution and storage media, without the written consent of Western Products. Authorization to photocopy items for internal or personal use by Western Products outlets or snowplow owner is granted.

Western Products reserves the right under its product improvement policy to change construction or design details and furnish equipment when so altered without reference to illustrations or specifications used. Western Products or the vehicle manufacturer may require or recommend optional equipment for snow removal. Do not exceed vehicle ratings with a snowplow. Western Products offers a limited warranty for all snowplows and accessories. See separately printed page for this important information. The following are registered (®) or unregistered (™) trademarks of Douglas Dynamics, LLC: IMPACT™, ULTRAFINISH™, WESTERN®.

Printed in U.S.A.