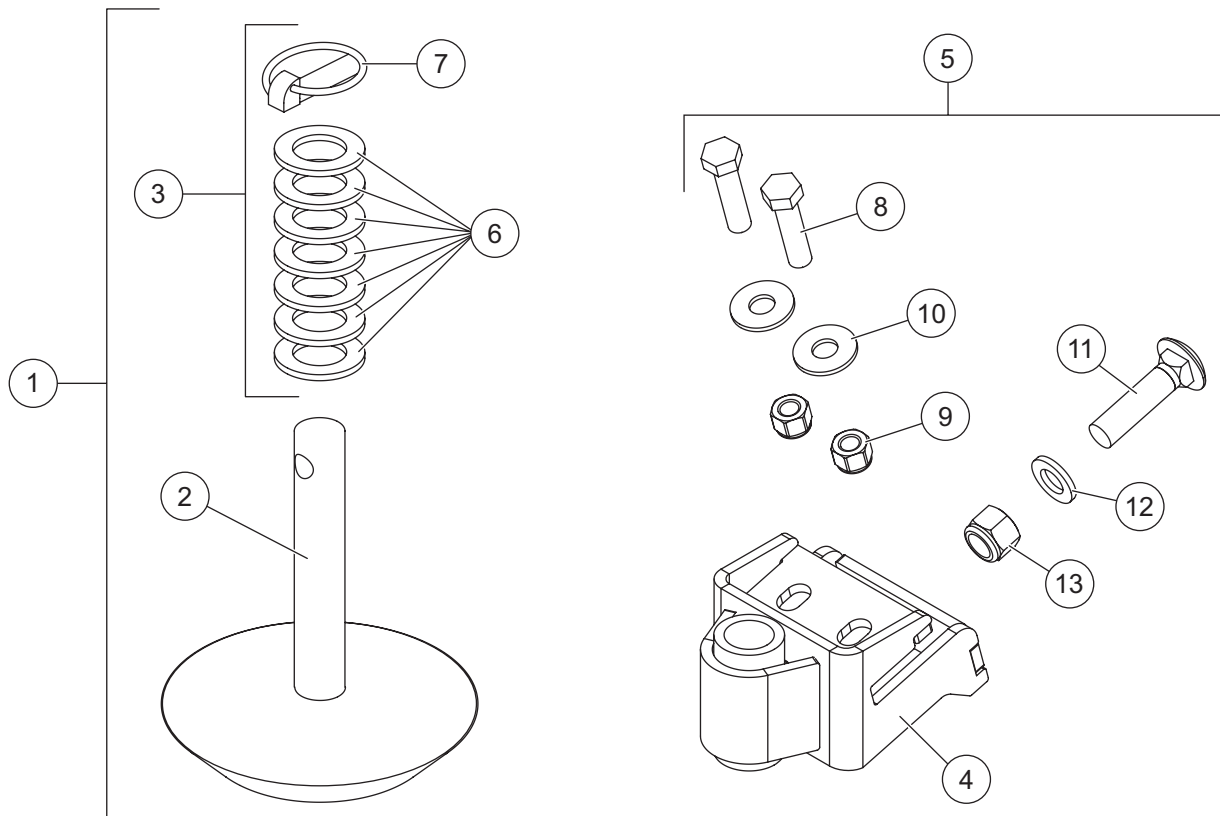




Shoe Kits

HC Snowplow

PARTS LIST



76789 / 79239 Shoe Kits – HC							
Item	Part	Qty	Description	Item	Part	Qty	Description
1	72515	2	Disc Shoe Assembly – HC	3	76786	1	Parts Bag – Shoe
ns	72397	2	High Wear Disc Shoe Assembly	4	57449	2	Attachment Bracket – HC
2	53596	2	Disc Shoe 6" Solid Cast	5	76787	1	Bolt Bag – Attachment Bracket
ns	72395	2	High Wear Disc Shoe				
Item 3				76786 Parts Bag – Shoe			
6		18	Shoe Spacer Washers	7		2	Linchpin
Item 5				76787 Bolt Bag – Attachment Bracket			
8		4	1/2-13 x 2 Hex Cap Screw G5	11		2	5/8-11 x 2-1/2 Carriage Bolt G5
9		4	1/2-13 Locknut GB	12		2	5/8 Hardened Flat Washer
10		4	1/2 Flat Washer, Type A Wide	13		2	5/8-11 Hex Locknut GB

G = Grade

ns = not shown

INSTALLATION INSTRUCTIONS

⚠ WARNING

Do not exceed GVWR or GAWR, including blade and ballast. The rating label is found on the driver-side vehicle door cornerpost.

⚠ WARNING

Blade can drop unexpectedly. Place blade on jack stands. Failure to do so could result in serious personal injury.

⚠ CAUTION

Read this document before installing the shoe kit.

⚠ CAUTION

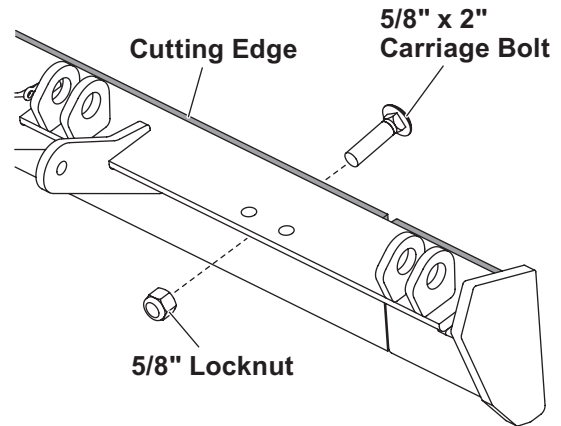
Use standard methods and practices when attaching snowplow and installing accessories, including proper personal protective safety equipment.

⚠ CAUTION

See your FISHER® outlet/website for specific vehicle application recommendations before installation. Shoe kit weight information may be found in the eMatch tool.

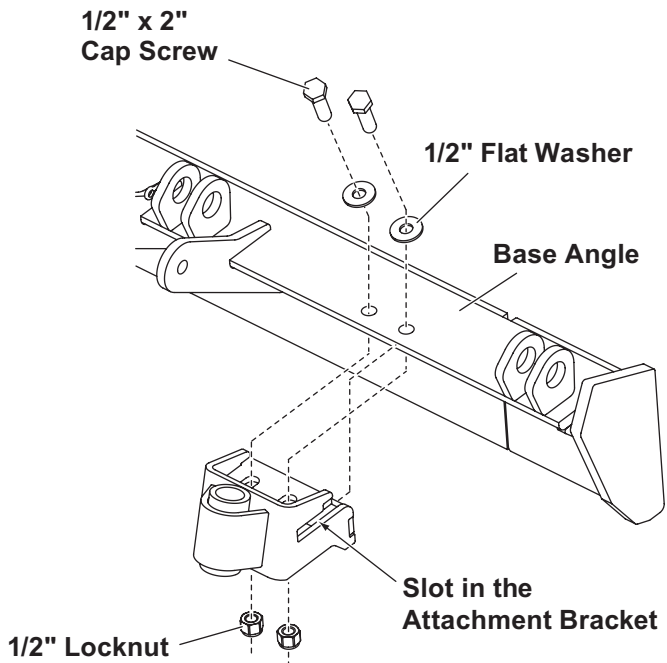
1. Park the vehicle on a smooth, level, hard surface, such as concrete. Raise the blade, then turn the control OFF.
2. From the front of the blade assembly, place jack stands under the blade.
3. Turn the control ON and lower the blade so the blade rests securely on the jack stands. Turn the control OFF. Turn the vehicle ignition to the "OFF" position and remove the key.

4. Remove the cutting edge 5/8" x 2" carriage bolt and 5/8" locknut.



5. Insert a 1/2" x 2" cap screw through a 1/2" flat washer and into each of the outer holes in the base angle. Install the attachment bracket and 1/2" locknuts as shown.

NOTE: When installing the attachment bracket, verify the slot in the bracket slides onto the base angle.



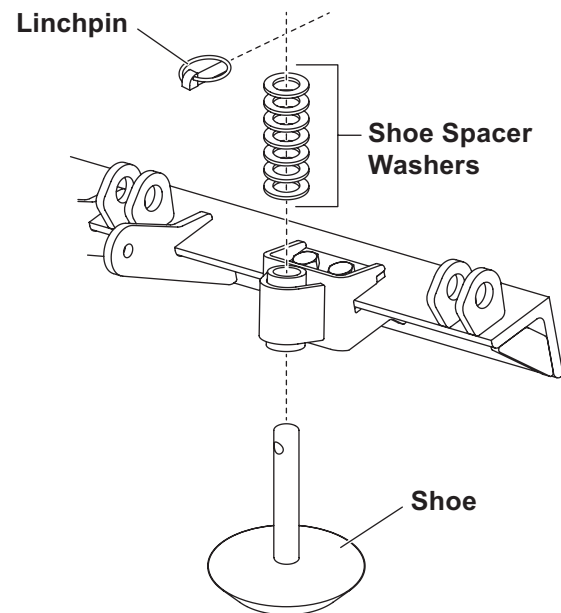
6. Tighten the fasteners to 75 ft-lb.

7. Replace the 5/8" x 2" carriage bolt and 5/8" locknut removed in Step 4 with the 5/8" x 2-1/2" carriage bolt, 5/8" washer, and 5/8" locknut provided in the attachment bracket bolt bag.
8. Tighten the fasteners to 150 ft-lb.
9. Repeat for the opposite side.

⚠ CAUTION

Do not store unused shoe spacer washers on top of the shoe holder. This could damage the blade.

10. Insert the shoe stem into the attachment bracket and adjust the shoe to desired height by adding/removing shoe spacer washers. Secure the shoe with a linchpin.



11. Repeat for the opposite side.
12. Turn the vehicle ignition and snowplow control ON. Raise the blade slightly. Turn the control OFF and remove the jack stands.
13. Stand 8 feet clear of the blade, and lower the blade to the ground.

Copyright © 2018 Douglas Dynamics, LLC. All rights reserved. This material may not be reproduced or copied, in whole or in part, in any printed, mechanical, electronic, film, or other distribution and storage media, without the written consent of Fisher Engineering. Authorization to photocopy items for internal or personal use by Fisher Engineering outlets or snowplow owner is granted.

Fisher Engineering reserves the right under its product improvement policy to change construction or design details and furnish equipment when so altered without reference to illustrations or specifications used. Fisher Engineering or the vehicle manufacturer may require or recommend optional equipment for snow removal. Do not exceed vehicle ratings with a snowplow. Fisher Engineering offers a limited warranty for all snowplows and accessories. See separately printed page for this important information. The following are registered (®) or unregistered (™) trademarks of Douglas Dynamics, LLC: FISHER®.

Printed in U.S.A.
