



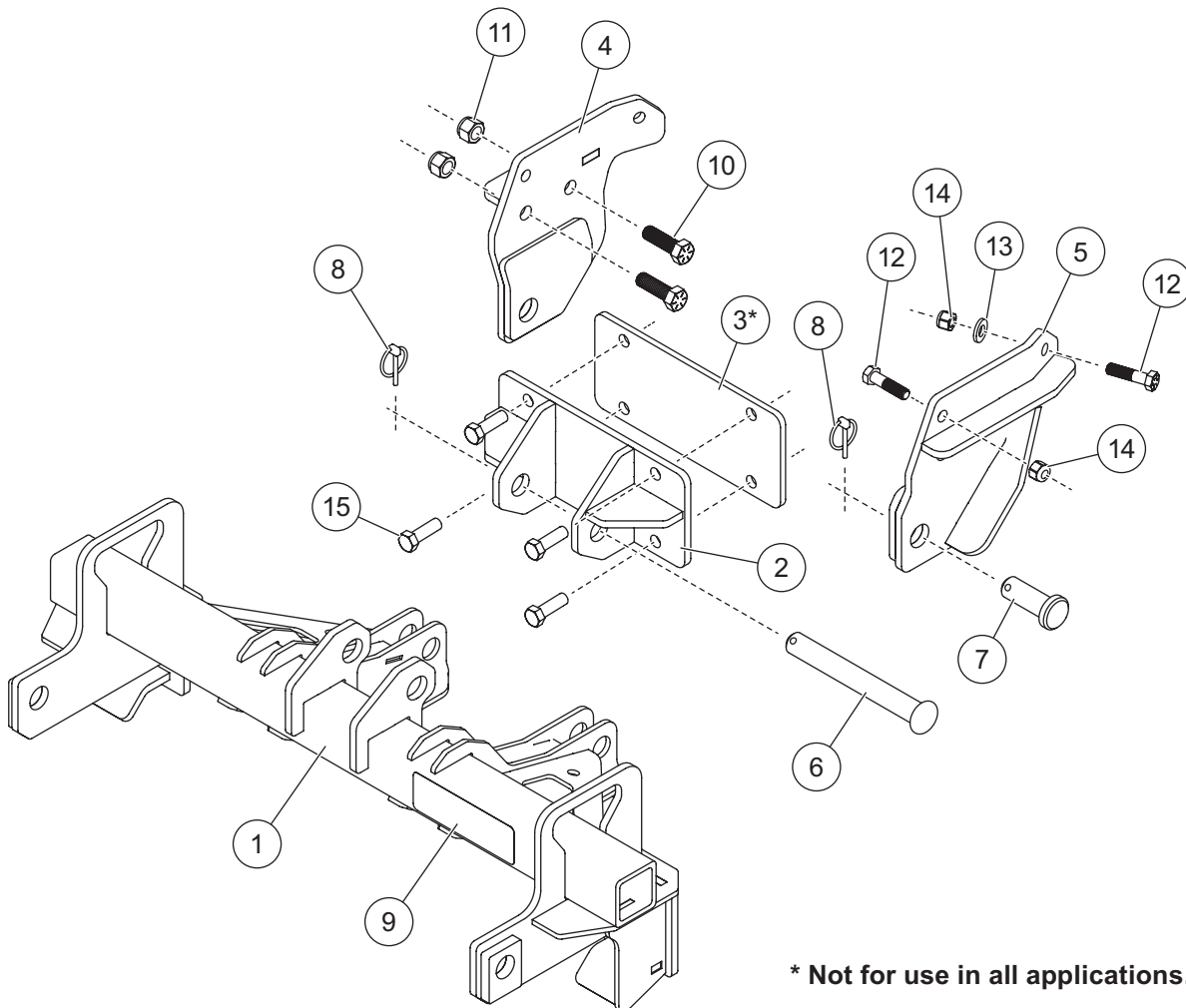
Minute² SYSTEM

MOUNT KIT

Kioti CK2610 Tractor

2019-__

Parts List



* Not for use in all applications.

77655 Mount Kit							
Item	Part	Qty	Description	Item	Part	Qty	Description
1	72865	1	Push Beam	ns	72168	1	Vehicle Cable Assembly
2	78765	1	Front Mount	ns	74077	1	Jumper Connector, 4-Position
3	78782	1	Spacer	ns	28587	1	Vehicle Control Harness
4	78767	1	Mount, Right	ns	61548	1	Plug Cover Kit
5	78766	1	Mount, Left	ns	90730	1	Fuse Kit, 200A
6	27979	1	1 x 8 Clevis Pin	ns	61536	12	Cable Tie
7	27227	2	1 x 2-3/4 Clevis Pin	ns	29326	1	Heat Shrink Tubing
8	93042	3	3/16 Linchpin	ns	27514	1	Splice Package
ns	78768	1	Bolt Bag				
Item 1							
72865 Push Beam				78768 Bolt Bag			
		1	Push Beam	9	77506	1	Label – Caution, Tractor RMV Loader
10		4	5/8-11 x 2 Hex Cap Screw G8	13		2	1/2 Hardened Flat Washer Type 1
11		4	5/8-11 Hex Locknut GB	14		4	1/2-13 Hex Locknut GB
12		4	1/2-13 x 2 Hex Cap Screw G8	15		4	M14 x 1.5 x 40 Hex Cap Screw
			ns = not shown			M = Metric	G = Grade

Copyright © 2021 Douglas Dynamics, LLC. All rights reserved. This material may not be reproduced or copied, in whole or in part, in any printed, mechanical, electronic, film, or other distribution and storage media, without the written consent of Fisher Engineering. Authorization to photocopy items for internal or personal use by Fisher Engineering outlets or snowplow owner is granted.

Fisher Engineering reserves the right under its product improvement policy to change construction or design details and furnish equipment when so altered without reference to illustrations or specifications used. Fisher Engineering or the vehicle manufacturer may require or recommend optional equipment for snow removal. Do not exceed vehicle ratings with a snowplow. Fisher Engineering offers a limited warranty for all snowplows and accessories. See separately printed page for this important information. The following are registered (®) trademarks of Douglas Dynamics, LLC: FISHER®, Minute Mount® 2.

Printed in U.S.A.