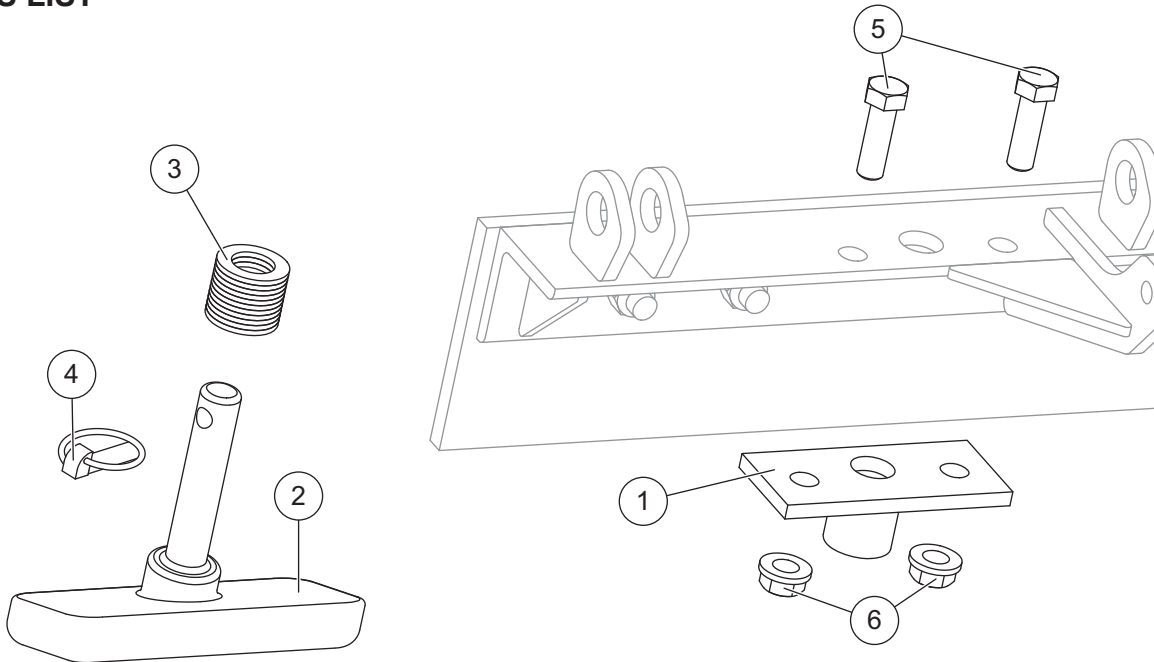


Shoe Kit

Flared-Wing V-Plow Snowplows

PARTS LIST



| 43088 / 86871 / 86893 Shoe Kit – V-Plow | | | | | | | |
|---|-------|-----|------------------------------|-----------|--------|-----|---|
| Item | Part | Qty | Description | Item | Part | Qty | Description |
| 1 | 29743 | 2 | Shoe Bracket | 3 | 91192 | 18 | Flat Washer, Special |
| 2 | 50695 | 2 | Shoe – Rectangle, Solid Cast | 4 | 93010K | 1 | 7/16 x 1-3/4 Linchpin (pkg of 2) |
| ns | 86884 | 2 | Shoe – High Wear | ns | 50697 | 1 | Bolt Bag |
| 50697 Bolt Bag | | | | | | | |
| 5 | | 4 | 5/8-11 x 2 Hex Cap Screw G5 | 6 | | 4 | 5/8-11 Hex Flange Distorted Thread Locknut GG |
| ns = not shown | | | | G = Grade | | | |

⚠ WARNING

Do not exceed GVWR or GAWR, including blade and ballast. The rating label is found on the driver-side vehicle door cornerpost.

⚠ CAUTION

Read this document before installing the shoe kit.

⚠ CAUTION

Use standard methods and practices when attaching snowplow and installing accessories, including proper personal protective safety equipment.

⚠ CAUTION

See your sales outlet/website for specific vehicle application recommendations before installation. The online selection system has specific vehicle and snowplow requirements.

INSTALLATION INSTRUCTIONS

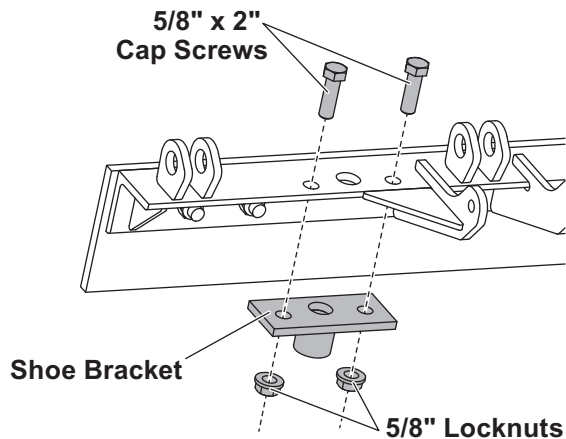
⚠ WARNING

Blade can drop unexpectedly. Place blade on jack stands. Failure to do so could result in serious personal injury.

1. Park the vehicle on a smooth, level, hard surface, such as concrete. Raise the blade, then turn the control OFF.
2. From the side of the blade assembly, place jack stands under the T-frame.
3. Turn the control ON and lower the blade onto the jack stands. Turn the control OFF. Turn the vehicle ignition to the "OFF" position and remove the key.
4. Align the shoe bracket holes with the holes in the base angle.

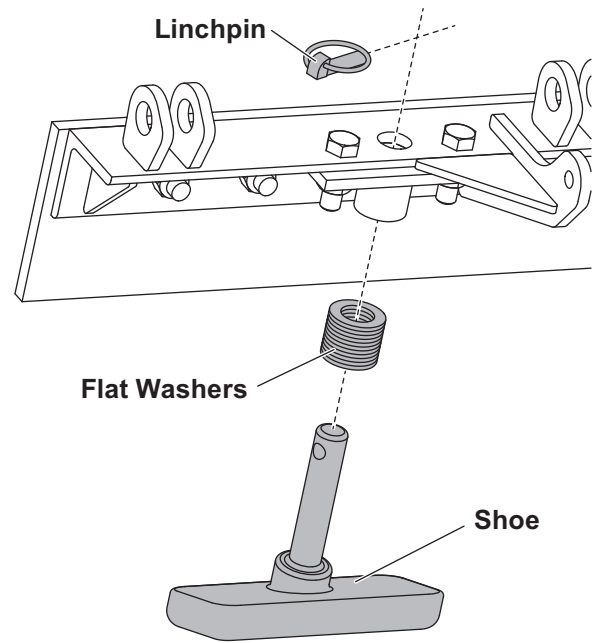
NOTE: All three holes in the bracket must line up with the three holes in the base angle.

5. Insert a 5/8" x 2" cap screw through each of the two outer holes in the shoe bracket and base angle. Attach 5/8" locknuts and tighten to 150 ft-lb.



6. Repeat for the opposite side.

7. Determine the desired height of the cutting edge from the ground. Place the appropriate number of flat washers on the shoe and insert the shoe up through the center hole in the shoe bracket and base angle. Secure with a linchpin.



8. Repeat for the opposite side.
9. Turn the vehicle ignition and snowplow control ON. Raise the blade slightly. Turn the control OFF and remove the jack stands.
10. Stand 8 feet clear of the blade, and lower the blade to the ground.

Copyright © 2019 Douglas Dynamics, LLC. All rights reserved. This material may not be reproduced or copied, in whole or in part, in any printed, mechanical, electronic, film, or other distribution and storage media, without the written consent of the company. Authorization to photocopy items for internal or personal use by the company's outlets or snowplow owner is granted.

The company reserves the right under its product improvement policy to change construction or design details and furnish equipment when so altered without reference to illustrations or specifications used. This equipment manufacturer or the vehicle manufacturer may require or recommend optional equipment for snow removal. Do not exceed vehicle ratings with a snowplow. The company offers a limited warranty for all snowplows and accessories. See separately printed page for this important information.

Printed in U.S.A.