



Fisher Engineering

50 Gordon Drive, Rockland, Maine 04841-2139 • www.fisherplows.com

27775, 28069
57000-1, 57000-3

February 1, 2021
Lit. No. 85303, Rev. 05



Blade and Off-Truck Kit

SD Series Snowplows

Parts List

SD Series BLADE COMPONENTS 4

SD Series OFF-TRUCK KITS 5

 A-Frame 5

 Headgear 6

 Hydraulic Unit..... 8

 Lift Ram and Angle Ram Components 10

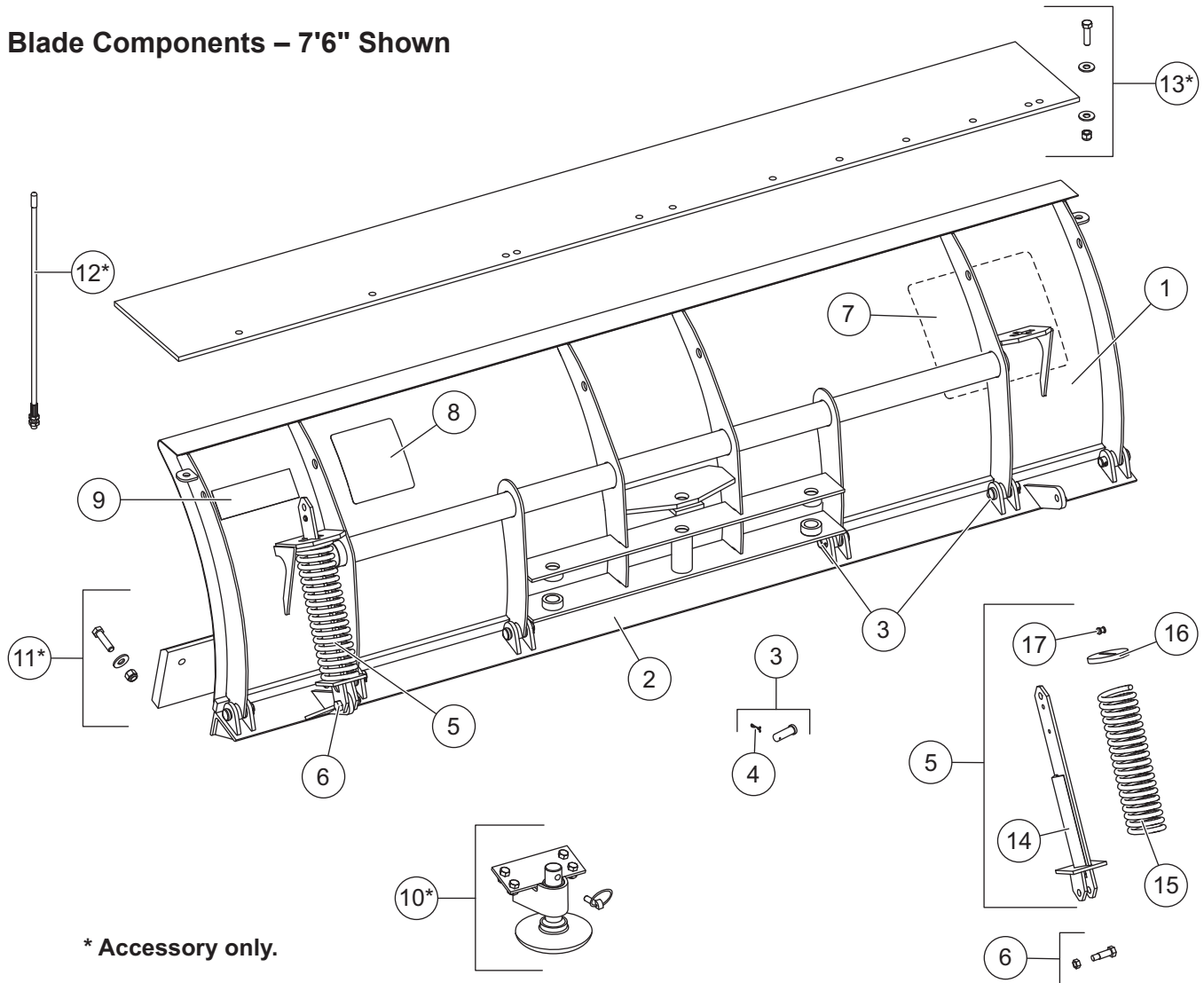
 Hoses and Fittings 11

 Electrical Components..... 12

 Vehicle-Side Harness Diagram 13

 Headlamp Kits..... 14–15

Blade Components – 7'6" Shown

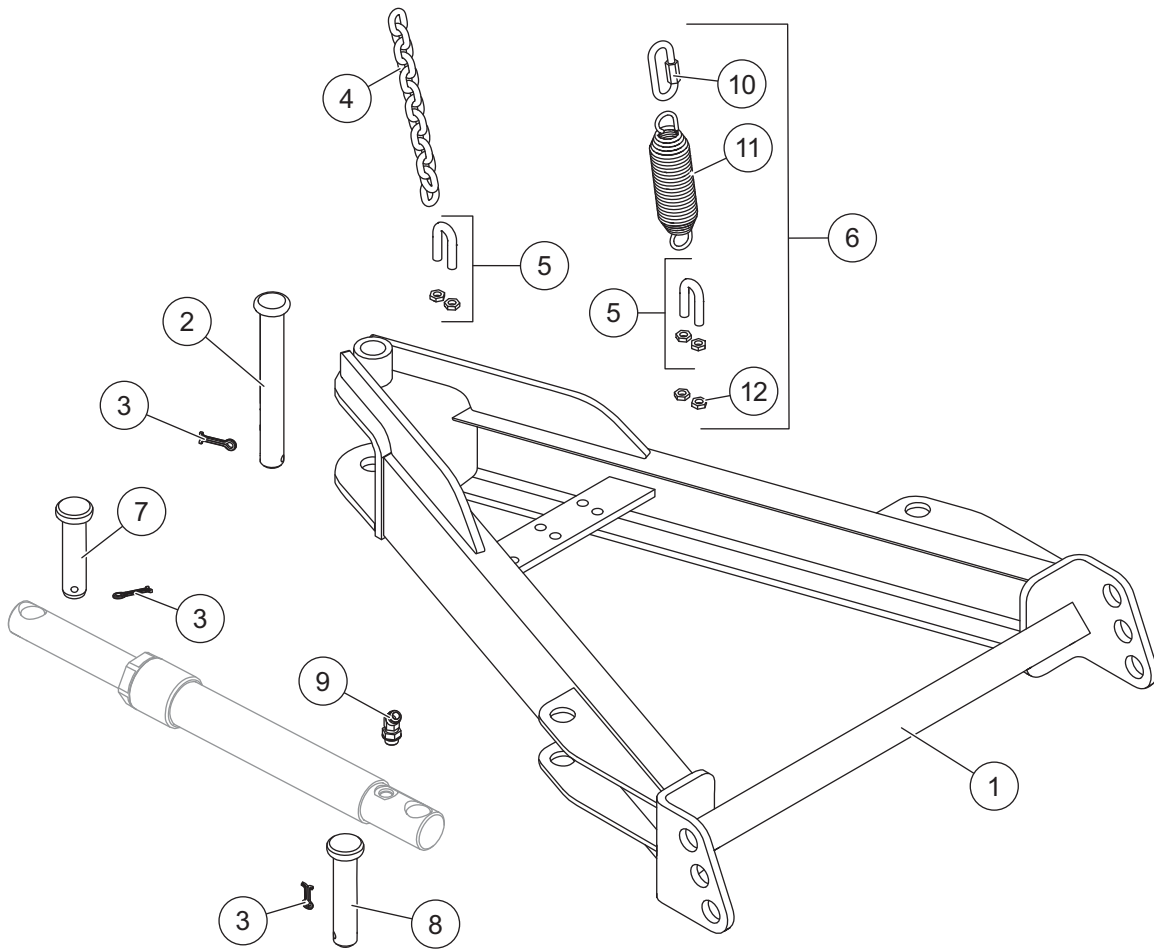


* Accessory only.

Blade Components							
Item	Part	Qty	Description	Item	Part	Qty	Description
1	28069	1	SD Blade Assembly – 6'9" (includes items 2–8)	8	59900	1	Label – Warning/Caution, Snowplows
	27775	1	SD Blade Assembly – 7'6" (includes items 2–8)	9	26211	1	Label – Identity, STORM GUARD™
2	28003	1	Base Angle – 6'9"	10*	27880	1	Shoe Kit (set of 2)
	27824	1	Base Angle – 7'6"	11*	22215	1	Poly Cutting Edge Kit – 6'9"
3	84844	6	3/4 x 2-3/16 Pin Kit		22216	1	Poly Cutting Edge Kit – 7'6"
4	90658	6	5/32 x 1-1/4 Cotter Pin	ns	5532*	1	Steel Cutting Edge Kit – 7'6"
5	21452	2	Removable Spring Assembly	12*	7906K	1	Blade Guides Kit (set of 2)
6	40905	2	Shoulder Bolt and Locknut	13*	22470-1	1	Rubber Deflector Kit
7	20238	1	Label – Identity, FISHER® Splatter	ns	22269*	1	Steel Deflector Kit – 6'9"
					283*	1	Steel Deflector Kit – 7'6"
				ns	44405*	1	Curb Guard Kit – 6'9" Blade
Item 5				21452 Removable Spring Assembly			
14	21450	2	Removable Spring Bar	16	20191	2	Removable Spring Disk
15	5323	2	Trip Spring	17	20181	2	1/4 x 1-1/4 Pin
ns = not shown							

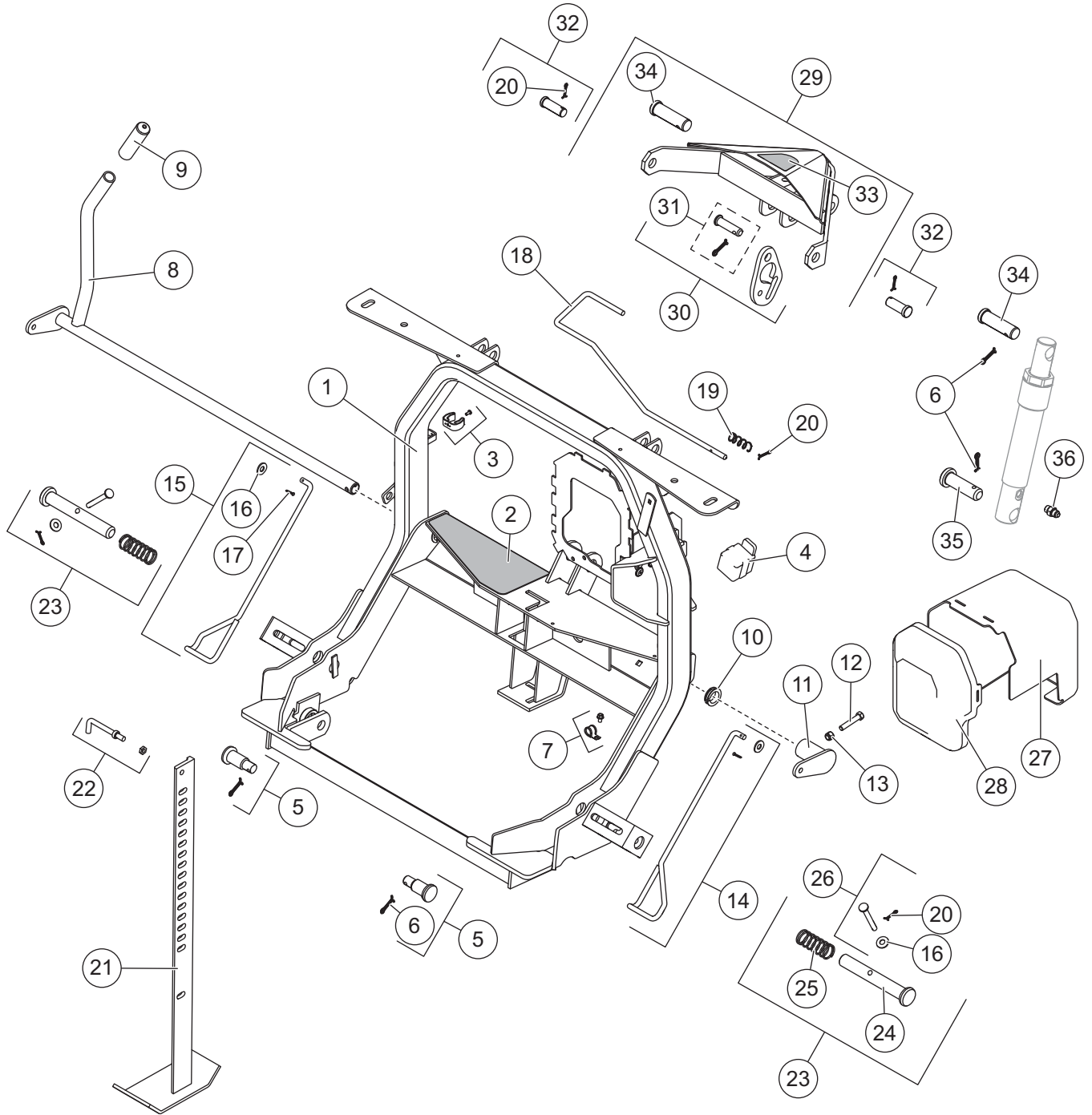
* Accessory only.

A-Frame Components



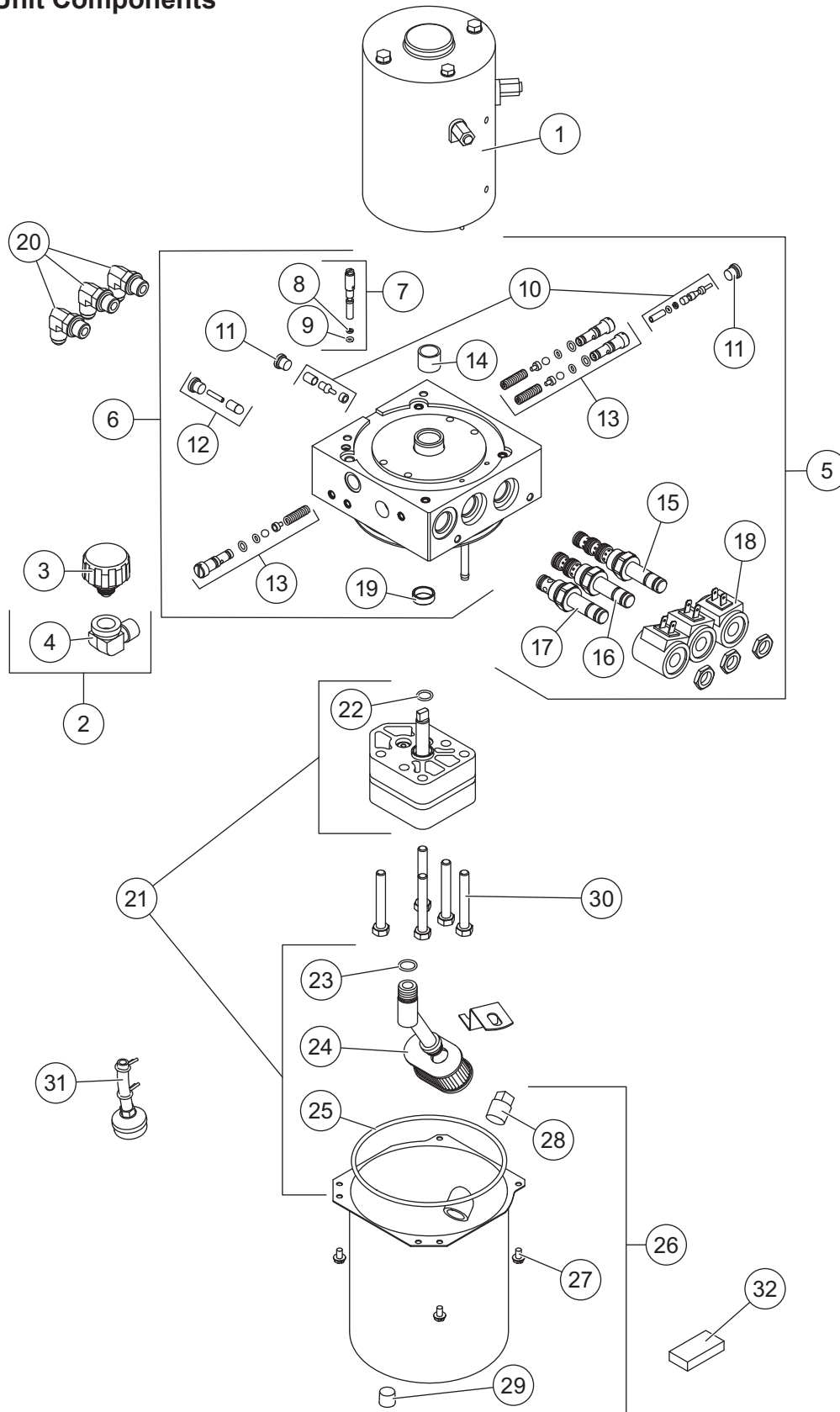
A-Frame Components							
Item	Part	Qty	Description	Item	Part	Qty	Description
1	27995-1	1	A-Frame	6	49521	1	Spring/U-Bolt/Link Kit
2	27979	1	1 x 8 Pivot Pin	7	6816	2	1 x 4 Clevis Pin
3	90601	5	1/4 x 1-1/2 Cotter Pin	8	22260	2	1 x 4-3/4 Clevis Pin
4	27912-1	1	5/16 Grade 30 Lift Chain Bag	9	56726	2	Elbow, 45° -6 M JIC/-6 M ORB
5	A6148K	3	U-Bolt Assembly Packet				
Item 6				49521 Spring/U-Bolt/Link Kit			
5	A6148K	1	U-Bolt Assembly Packet	11	27074	1	Spring
10	68340	1	Quick Link	12	91413	2	3/8-16 Hex Nut G5
G = Grade				M = Male			

Headgear Components



Headgear Components							
Item	Part	Qty	Description	Item	Part	Qty	Description
1	49528	1	Headgear	20	90658	5	5/32 x 1-1/4 Cotter Pin
2	27451	1	Label – Attach/Detach, Minute Mount® 2	21	27741	1	Jack – SD
3	27162K-1	1	Stop Clip Kit	22	27164K	1	Handle Kit
4	8284K	1	Cable Boot	23	27168K	2	Connecting Pin Kit
5	27177K	1	Step Pin Kit (incl. item 6)	24	26833	2	1 x 6-15/16 Clevis Pin
6	90601	5	1/4 x 1-1/2 Cotter Pin	25	821	2	1 x 3-1/2 Compression Spring
7	49522	2	Clamp Loop Kit	26	26219	2	3/8 x 3-1/4 Clevis Pin Kit
8	27468	1	Handle – Link Arm Assembly	27	68312-1	1	Hydraulic Unit Cover, Front
9	27535	1	Handle Cover Kit	28	68313-1	1	Hydraulic Unit Cover, Rear
10	27163K	1	Snap-In Bushing Kit (pkg of 2)	29	26757-1	1	Lift Arm Kit (yellow)
11	27465	1	Link Arm	30	28991	1	Stop Link Kit
12	90043	1	3/8-16 x 2 Hex Cap Screw G5	31	29037	1	5/8 x 2-5/8 Clevis Pin w/Cotter
13	91333	1	3/8 x 16 Hex Locknut GB	32	4289K	2	3/4 x 1-7/8 Machine Pin Packet
14	27167K	1	Wire Cam Kit – PS	33	26777	1	Nameplate – Logo, Minute Mount 2
15	27166K	1	Wire Cam Kit – DS	34	95720	1	1 x 3-5/16 Clevis Pin HT
16	90315	4	3/8 Flat Washer Type A Wide	35	6814	1	1 x 3-5/16 Clevis Pin
17	91902	2	1/8 x 1 Cotter Pin	36	49526	1	Connector, –6 M JIC/–6 M ORB
18	27478	1	Jack Lock	ns	69689	1	Label – Logo, SECURITY GUARD™
19	27461	1	3/4 x 3-1/2 Compression Spring				
Item 14				27167K Wire Cam Kit – PS			
		1	Wire Cam – PS	16	90315	1	3/8 Flat Washer Type A Wide
17	91902	1	1/8 x 1 Cotter Pin				
Item 15				27166K Wire Cam Kit – DS			
		1	Wire Cam – DS	16	90315	1	3/8 Flat Washer Type A Wide
17	91902	1	1/8 x 1 Cotter Pin				
Item 23				27168K Connecting Pin Kit			
24	26833	1	1 x 6-15/16 Clevis Pin	26	26219	1	3/8 x 3-1/4 Clevis Pin Kit
25	821	1	1 x 3-1/2 Compression Spring				
Item 26				26219 3/8 x 3-1/4 Clevis Pin Kit			
		1	3/8 x 3-1/4 Clevis Pin	20	90658	1	5/32 x 1-1/4 Cotter Pin
16	90315	1	3/8 Flat Washer Type A Wide				
Item 29				26757-1 Lift Arm Kit (yellow)			
		1	Lift Arm	33	26777	1	Nameplate – Logo, Minute Mount 2
30	28991	1	Stop Link Kit	34	95720	1	1 x 3-5/16 Clevis Pin HT
Item 30				28991 Stop Link Kit			
		1	Stop Link	31	29037	1	5/8 x 2-5/8 Clevis Pin w/Cotter
Item 31				29037 5/8 x 2-5/8 Clevis Pin w/Cotter			
		1	5/8 x 2-5/8 Clevis Pin G8			1	1/4 x 1-1/2 Cotter Pin
Item 32				4289K 3/4 x 1-7/8 Machine Pin Packet			
		1	3/4 x 2 Pin	20	90658	1	5/32 x 1-1/4 Cotter Pin
ns = not shown		G = Grade		M = Male		HT = Heat Treated	

Hydraulic Unit Components

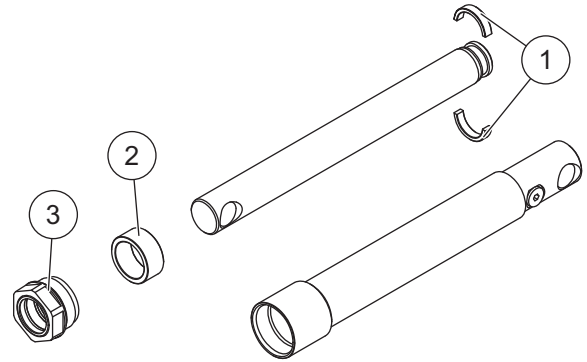
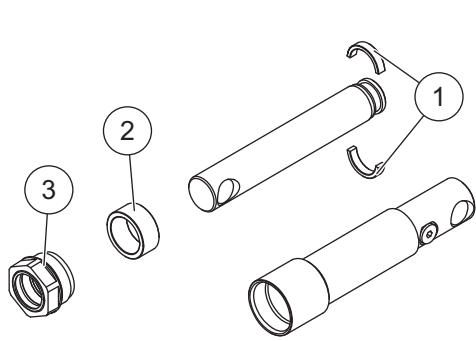


42295 Hydraulic Unit 2500 psi 42290 Hydraulic Unit Service Kit							
Item	Part	Qty	Description	Item	Part	Qty	Description
1	21500K-1	1	Motor, 4-1/2	18	7639K-2	3	Coil w/Spades
2	22344K	1	Elbow, Street 90° w/Breather	19**	66515	1	Pump Shaft Seal
3	21727-2	1	Breather Pressure Control	20	56725	3	Elbow, 90° –6 M JIC/–6 M ORB
4	21726	1	Elbow, Street 90° 3/8 M NPTF/ 3/8 F NPTF	21	21501K-1	1	Hydraulic Pump Kit
5	42294-2	1	Valve Manifold Assembly	22	56274	1	O-Ring -013
6	42292-2	1	Manifold Assembly	23	56416	1	O-Ring -014
7	56662	1	Quill Assembly	24	26781-4	1	Suction Filter
8	56315	1	Back-Up Ring -006	25	66519	1	O-Ring 2-250
9	25622	1	O-Ring -006	26	21830	1	Reservoir Kit
10	7630K	1	Poppet Check Valve Kit	27	66607	4	#10-24 x 5/16 Slotted Hex Washer-Head Machine Screw
11	92960	2	Plug, Hex Socket –3 M ORB	28	92079	1	Plug, Square 3/8 NPTF
12	56507	1	Bypass Check Valve Kit	29	92095	1	Plug, Hex Socket 1/4 NPTF w/Thread Sealant – SAE 130109N/P
13	7629K-4	2	Relief Valve Kit (set of 2)	30	90073	5	5/16-18 x 2-1/4 Hex Cap Screw
14*	64596-1	1	Sleeve Bearing and Shaft Seal Kit	31	66405	1	Return Screen Assembly
15	7637K-1	1	Cartridge Valve, 4-Way w/Nut	32	73897	1	Magnet
16	66608K-1	1	Cartridge Valve, 3-Way w/Nut				
17	7634K-2	1	Valve, 2-Way w/Nut				
Item 2				22344K Elbow, Street 90° w/Breather			
3	21727-2	1	Breather Pressure Control	4	21726	1	Elbow, Street 90° 3/8 M NPTF/ 3/8 F NPTF
Item 5				42294-2 Valve Manifold Assembly			
10	7630K	1	Poppet Check Valve Kit	16	66608K-1	1	Cartridge Valve, 3-Way w/Nut
11	92960	1	Plug, Hex Socket –3 M ORB	17	7634K-2	1	Valve, 2-Way w/Nut
13	7629K-4	1	Relief Valve Kit (set of 2)	18	7639K-2	3	Coil w/Spades
15	7637K-1	1	Cartridge Valve, 4-Way w/Nut				
Item 6				42292-2 Manifold Assembly			
7	56662	1	Quill Assembly	13	7629K-4	1	Relief Valve Kit (set of 2)
11	92960	1	Plug, Hex Socket –3 M ORB	14*	64596-1	1	Sleeve Bearing and Shaft Seal Kit
12	56507	1	Bypass Check Valve Kit	19**	66515	1	Pump Shaft Seal
Item 21				21501K-1 Hydraulic Pump Kit			
22	56274	1	O-Ring -013	24	26781-4	1	Suction Filter
23	56416	1	O-Ring -014	25	66519	1	O-Ring 2-250
Item 26				21830 Reservoir Kit			
27	66607	4	#10-24 x 5/16 Slotted Hex Washer-Head Machine Screw	29	92095	1	Plug, Hex Socket 1/4 NPTF w/Thread Sealant – SAE 130109N/P
28	92079	1	Plug, Square 3/8 NPTF				
O-Ring Service Kits							
–	7632K-5	–	O-Ring & Back-Up Ring Kit	–	49259-2	–	Seal Kit, 3-Way & 4-Way Valve
–	49258-2	–	Seal Kit, 2-Way Valve				
M = Male				F = Female			

* Use 64589 tool for bearing sleeve replacement (includes 1 bearing).

** Use 28856 tool for pump shaft seal replacement (includes 1 seal).

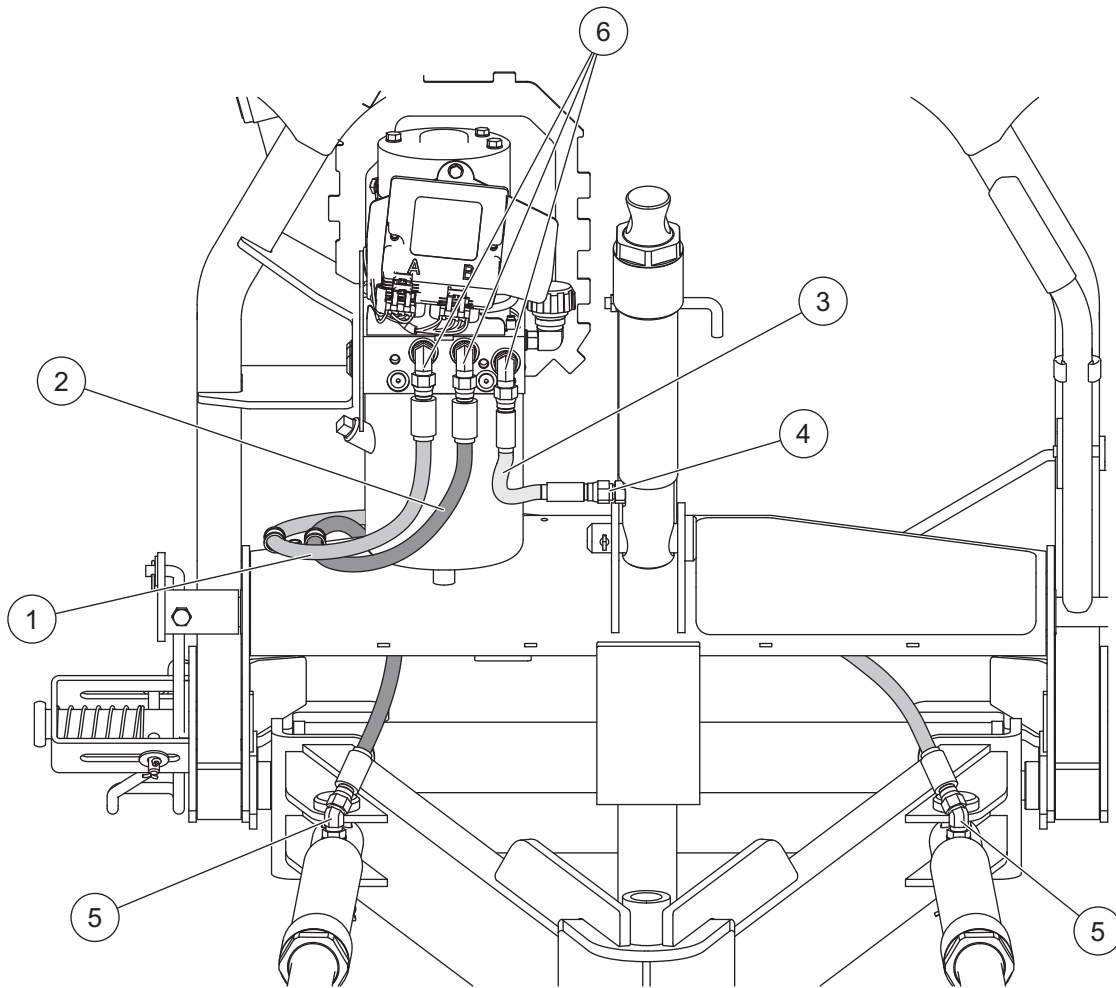
Lift Ram and Angle Ram Components



56718 Lift Ram Assembly 1-1/2 x 6			
Item	Part	Qty	Description
1	20118K	1	Split Bearing Kit
2	56537	1	Spacer
3	48985	1	Gland Nut Assembly

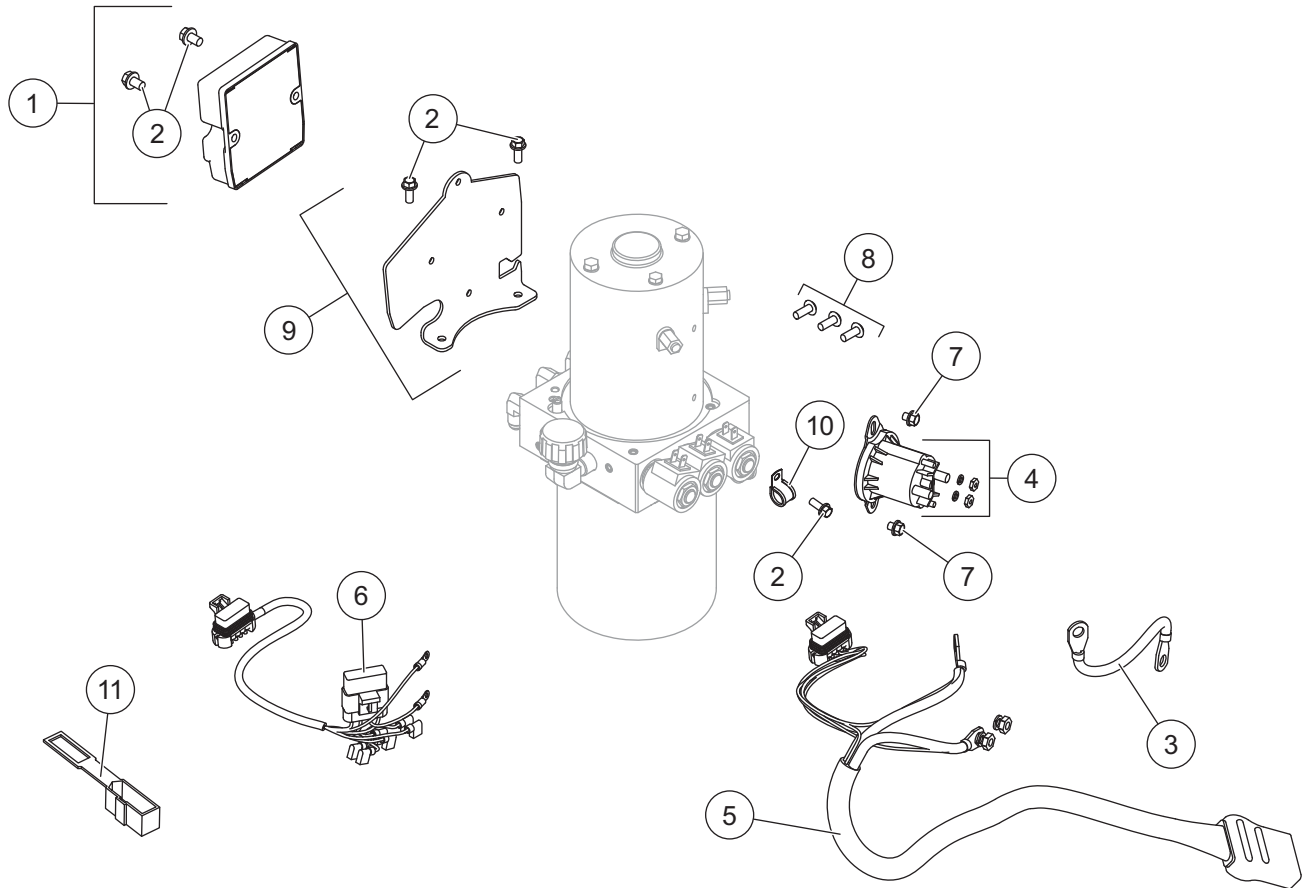
56600K Angle Ram Assembly 1-1/2 x 10			
Item	Part	Qty	Description
1	20118K	1	Split Bearing Kit
2	56537	1	Spacer
3	48985	1	Gland Nut Assembly

Hoses and Fittings



Hoses and Fittings							
Item	Part	Qty	Description	Item	Part	Qty	Description
1	44348	1	Hose, 3/8 x 42 w/F JIC Ends	4	49526	1	Connector, -6 M JIC/-6 M ORB
2	44866	1	Hose, 3/8 x 32 w/F JIC Ends	5	56726	2	Elbow Kit, 45° -6 M JIC/-6 M ORB
3	56832	1	Hose, 1/4 x 8 w/F JIC Ends	6	56615-1	3	Elbow, 90° -6 M JIC/-6 M ORB
F = Female				M = Male			

Electrical Components



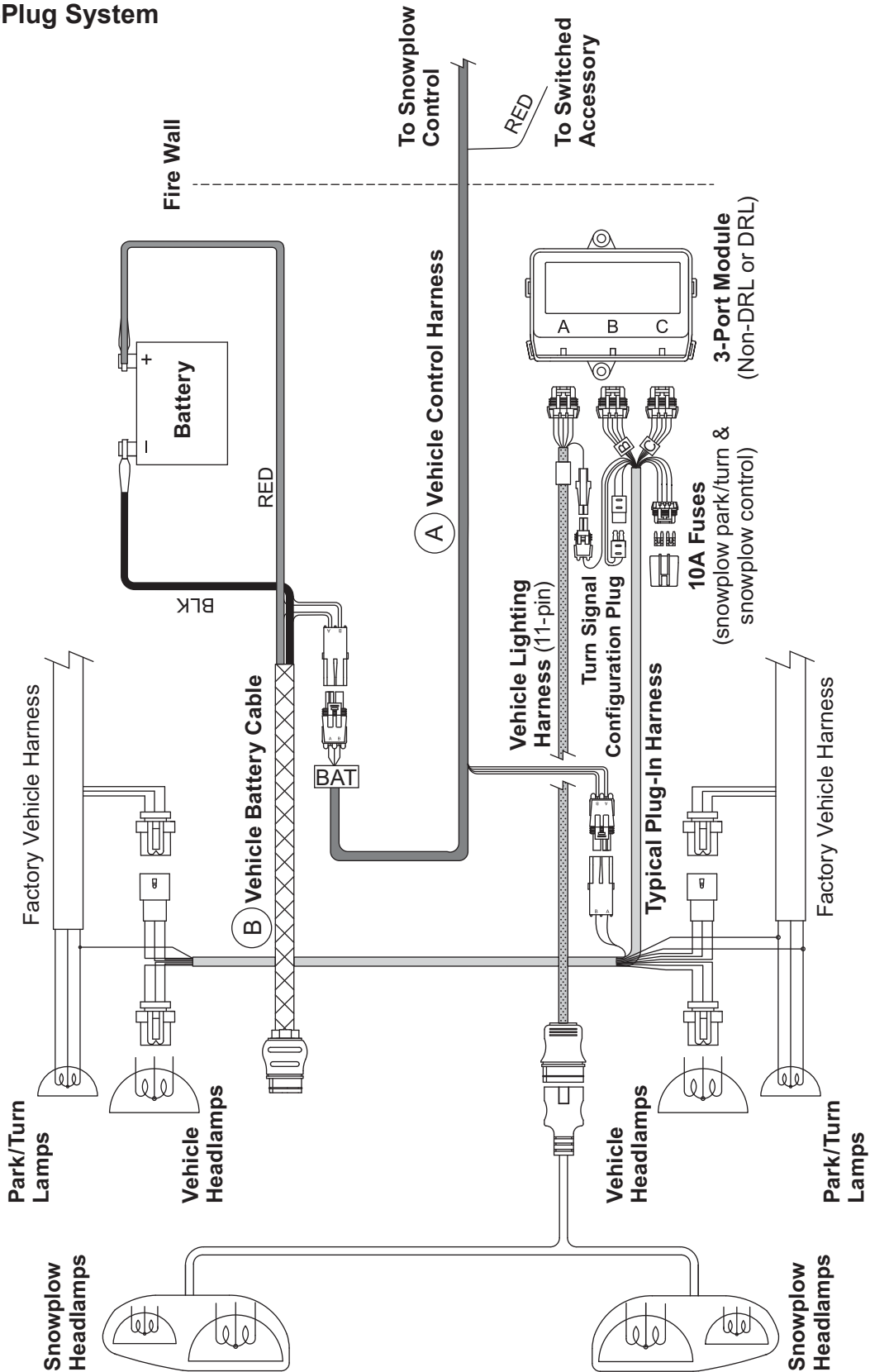
Plow-Side Electrical Components						
Item	Part	Qty	Description	Item	Part	Qty Description
1	49567	1	Plow Module, 2-Port	7	29099	2 1/4-20 x 1/4 Hex Washer-Head Thread-Rolling Screw
2	44355	5	1/4-20 x 5/8 Hex Washer-Head Thread-Rolling Screw	8	72384-1	1 3/8-16 x 1 Serrated Flange Hex Cap Screw (pkg of 3)
3	29071	1	Cable Assembly 8"	9	42287	1 Bracket – Plow Module
4	42901	1	Motor Relay Kit FLEET FLEX System	10	49522	1 Clamp Loop Kit
5	42015	1	Snowplow Battery Cable	ns	56099	1 Dielectric Grease
6	28581-1	1	Plow Control Harness, 3-Solenoid			

ns = not shown

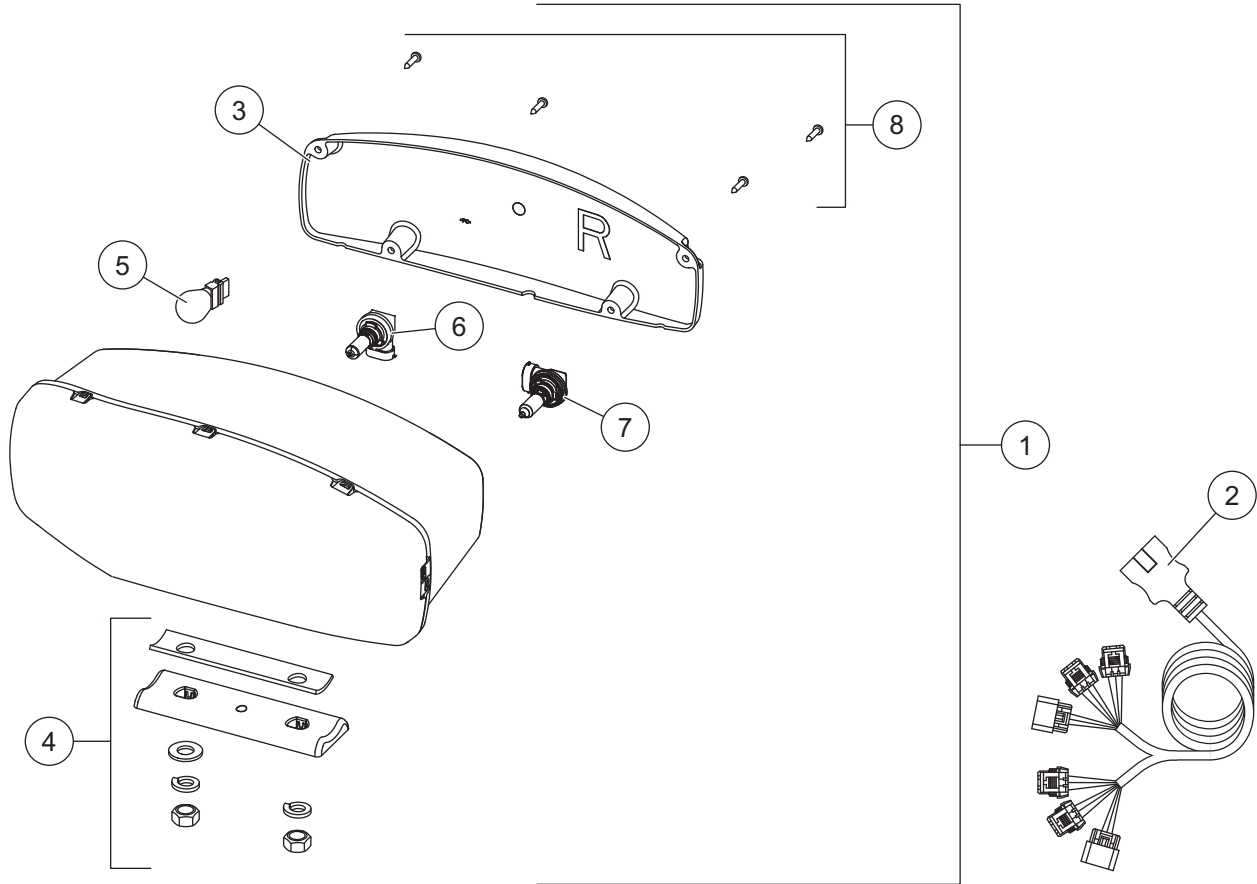
Vehicle-Side Electrical Components (diagram on following page)						
A*	28587	1	Vehicle Control Harness	11	61548K	1 Plug Cover Kit (shown above with plow-side electrical components)
B*	42014	1	Vehicle Battery Cable			

*See Vehicle-Side Harness Diagram – 3-Port, 2-Plug System on following page.

**Vehicle-Side Harness Diagram
3-Port, 2-Plug System**



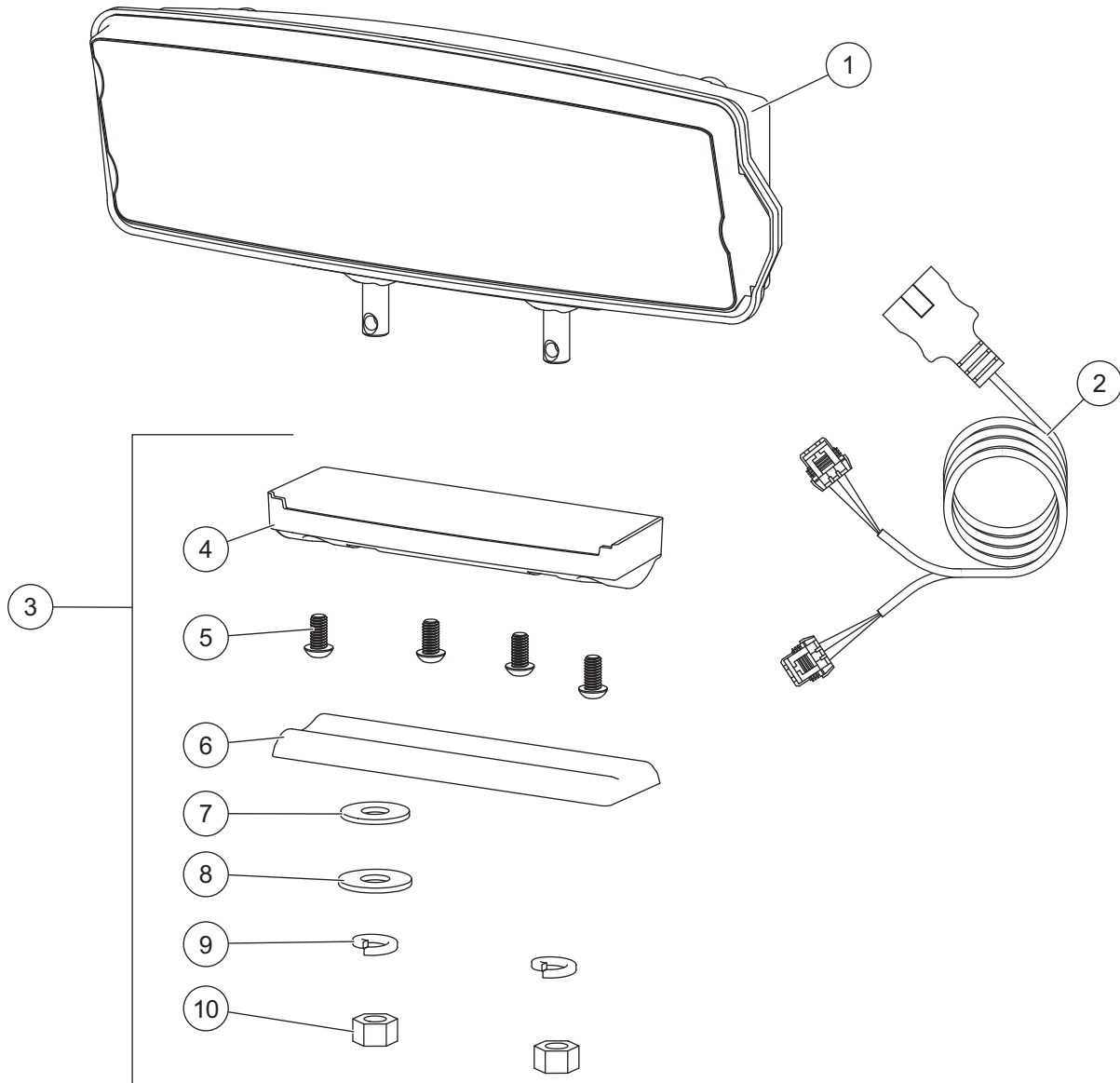
Headlamp Kit – Halogen



38800 Headlamp Kit H9/H11 (pair)							
Item	Part	Qty	Description	Item	Part	Qty	Description
1	38802	1	Headlamp Service Kit H9/H11 – PS	2	38807	1	Harness Service Kit H9/H11
ns	38801	1	Headlamp Service Kit H9/H11 – DS				
Item 1	38801/38802 Headlamp Service Kit H9/H11 – PS/DS						
3	38803	1	Rear Cover Kit H9/H11 – PS	6	38811	1	Headlamp Bulb Service Kit H11
ns	38812	1	Rear Cover Kit H9/H11 – DS	7	38809	1	Headlamp Bulb Service Kit H9
4	38804	1	Mounting Hardware Kit H9/H11	8	38808	1	Cover Screws Service Kit H9/H11 (pkg of 4)
5		1	Park/Turn Bulb (trade no. 4157NAK)				

ns = not shown

Headlamp Kit – LED



Headlamp Kit LED							
Item	Part	Qty	Description	Item	Part	Qty	Description
1	39901	1	Headlamp Service Kit LED – DS	3	39903	1	Mounting Hardware Kit LED
ns	39902	1	Headlamp Service Kit LED – PS	ns	72512	1	LED Harness Connector Cover (pkg of 2)
2	72548	1	Harness Service Kit LED				
Item 3				39903 Mounting Hardware Kit LED			
4		1	Plastic Casing	8		1	1/2 Flat Washer
5		4	1/4 Button Cap Screw	9		2	1/2 Lock Washer
6		1	Headlamp Swivel	10		2	1/2 Hex Nut
7		1	1/2 Rubber Washer	ns		1	Metal Insert
ns = not shown							



Fisher Engineering
50 Gordon Drive
Rockland, ME 04841-2139
www.fisherplows.com

A DIVISION OF FISHER, LLC

Copyright © 2021 Douglas Dynamics, LLC. All rights reserved. This material may not be reproduced or copied, in whole or in part, in any printed, mechanical, electronic, film, or other distribution and storage media, without the written consent of Fisher Engineering. Authorization to photocopy items for internal or personal use by Fisher Engineering outlets or snowplow owner is granted.

Fisher Engineering reserves the right under its product improvement policy to change construction or design details and furnish equipment when so altered without reference to illustrations or specifications used. Fisher Engineering or the vehicle manufacturer may require or recommend optional equipment for snow removal. Do not exceed vehicle ratings with a snowplow. Fisher Engineering offers a limited warranty for all snowplows and accessories. See separately printed page for this important information. The following are registered (®) or unregistered (™) trademarks of Douglas Dynamics, LLC: FISHER®, Minute Mount® 2, SECURITY GUARD™, STORM GUARD™.

Printed in U.S.A.