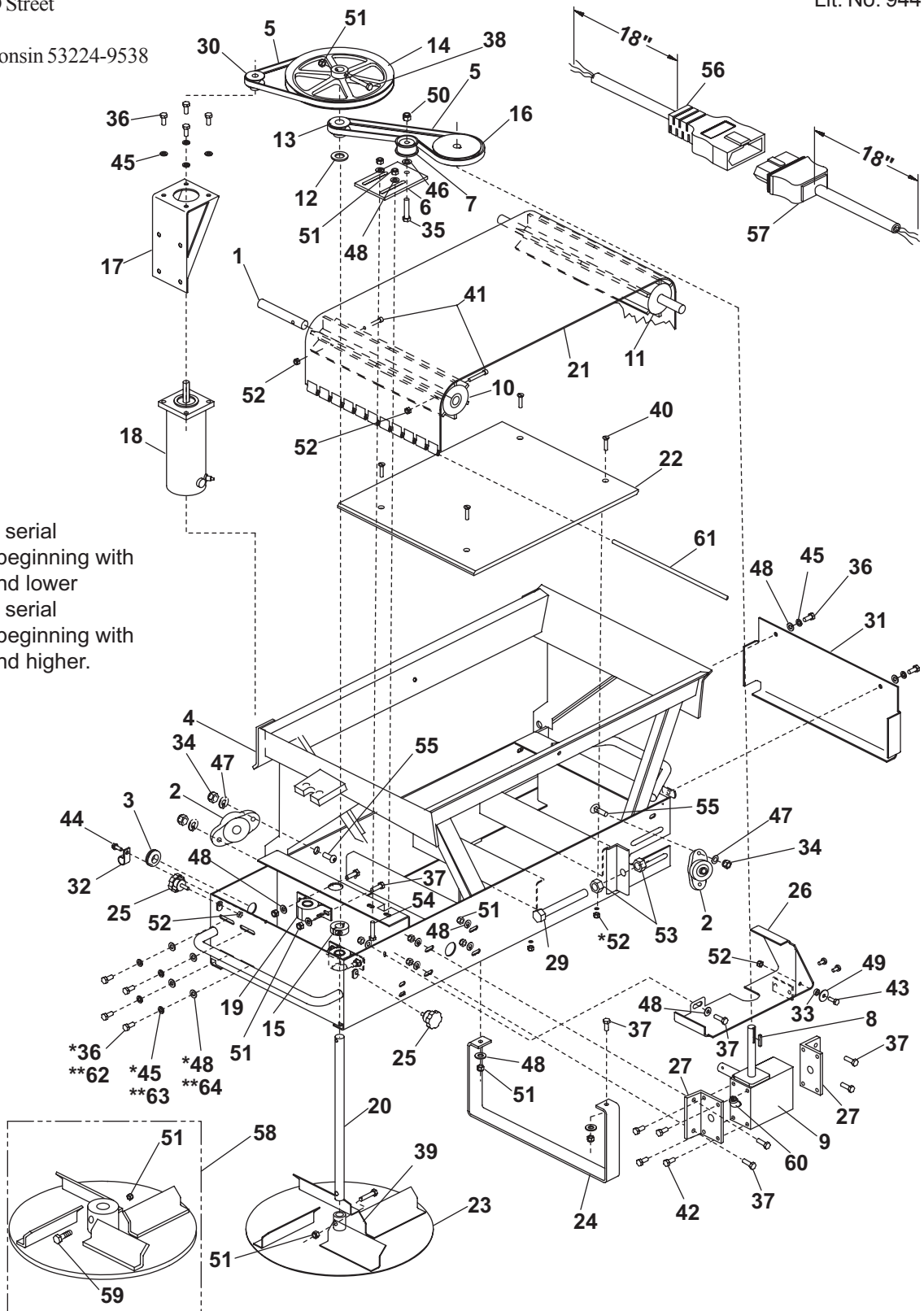




PRO-FLO™ 2 Tailgate Spreader Drive Components Parts List

WESTERN PRODUCTS
7777 North 73RD Street
P.O. Box 245038
Milwaukee, Wisconsin 53224-9538

February 1, 2005
Lit. No. 94413



- * Units with serial numbers beginning with 040630 and lower
- ** Units with serial numbers beginning with 040701 and higher.

This parts list is for WESTERN® PRO-FLO™ 2 Spreaders with serial numbers 202650 and higher

PRO-FLO™ 2 Tailgate Spreader Drive Components Parts List

PRO-FLO 2 Tailgate Spreader Drive Components Parts List							
Item	Part	Qty	Description	Item	Part	Qty	Description
1	65753	1	Stub Shaft – Conveyor Roller	36	93162	10	5/16-18 x 3/4 Hex Cap Screw
2	68619	3	Bearing, Flange 3/4 Bore	37	90551	11	5/16-18 x 1 Hex Cap Screw
3	67113	1	Rubber Grommet, 3/4"	38	90978	1	5/16-18 x 2 Hex Cap Screw
4	94412	1	Conveyor Frame with Labels	39	90977	1	5/16-18 x 1-1/2 Hex Cap Screw
5	65767	2	V-Belt, 4L330 Molded Cog	40	67074	4	1/4-20 x 1 Machine Screw
6	68838	1	Belt Tensioner Bracket	41	67075	2	1/4-20 x 1-3/4 Socket Cap Screw
7	65509	1	2.0" Idler Pulley	42	68948	8	M16 Hex Cap Screw Special
8	65195	1	3/16 Machine Key	43	68067	1	1/4-20 x 1 Hex Cap Screw
9	68803	1	Gearbox with Key	44	93148	3	1/4-14 x 3/4 Tapping Screw
10	68605	1	Conveyor Roller (Drive)	45	91263	10	5/16 External Lock Washer
11	68606	1	Conveyor Roller (Idler)	46	90315	2	3/8 Flat Washer
12	67114	1	.75 Thrust Washer	47	91282	6	3/8 Spring Lock Washer
13	65766	1	Pulley 2 x 3/4 Bore	48	90980	19	5/16 Flat Washer
14	65406	1	Pulley 9 x 3/4 Bore	49	67155	1	Round Flat Washer Special
15	65777	1	Collar Locking .75 Bore	50	91351	1	3/8-16 Hex Locknut
16	65765	1	Pulley 4-1/2 x 5/8 Bore	51	91350	15	5/16-18 Hex Locknut
17	65731	1	Motor Mount	52	67076	9	1/4-20 Hex Locknut
18	65416	1	Motor 12V DC	53	67295	4	1/2-13 Hex Nut
19	65776	2	Bearing-Pillow Block .75 Bore	54	90556	2	5/16-18 x 1 Carriage Bolt
20	65723	1	Spinner Shaft	55	68621	6	3/8-16 x 1-1/4 Carriage Bolt
21	65764	1	Conveyor Belt with Pin	56	63693	1	Harness, Spreader End Kit-3 or 4 Pin
22	65763	1	Floor	57	63692	1	Harness, Vehicle End Kit-3 or 4 Pin
23	67090	1	Spinner (Steel)	58	94511	1	Spinner Kit (Polyurethane)
24	67097	1	Stand	59	94495	1	5/16-18 x 2-1/4 Hex Cap Screw
25	67158	2	1/4-20 x 1 Thumb Screw	60	95557	1	Breather, Gearbox
26	68635	1	Gearbox Cover	61	95624	1	Lacing Pin
27	95692	2	Gearbox Mounting Bracket	62	90381	4	1/4-20 x 3/4 Hex Cap Screw
29	68620	2	1/2-13 x 4 Take Up Bolt	63	67083	4	1/4 External Lock Washer
30	67055	1	Pulley 1-3/4 x 1/2 Bore	64	95698	4	1/4 Flat Washer, Thick
31	68640	1	Conveyor Guard	ns	63634	1	Harness, Spreader 4 Pin
32	65546	3	Cable Clamp	ns	63633	1	Harness, Vehicle 4 Pin
33	67159	1	3/16 Spacer	ns	65241	1	Motor Brush Kit
34	91431	6	3/8-16 Hex Nut	ns	65514	1	Parts Bag
35	67111	1	3/8-16 x 1-3/4 Hex Cap Screw				
65514 Parts Bag							
ns	61536	12	Cable Tie – Long	ns	61548K	1	Plug Cover (Vehicle Harness)
ns	56099	1	Dielectric Grease Tube				
ns = not shown							

Copyright© 2005 Douglas Dynamics, L.L.C. All rights reserved. This material may not be reproduced or copied, in whole or in part, in any printed, mechanical, electronic, film or other distribution and storage media, without the written consent of Western Products. Authorization to photocopy items for internal or personal use by Western Products outlets or spreader owner is granted.

Western Products reserves the right under its product improvement policy to change construction or design details and furnish equipment when so altered without reference to illustrations or specifications used. Western Products and the vehicle manufacturer may require and/or recommend optional equipment for spreaders. Do not exceed vehicle ratings with a spreader. Western Products offers a limited warranty for all spreaders and accessories. See separately printed page for this important information. The following are registered (®) or unregistered (™) trademarks of Douglas Dynamics, L.L.C.: PRO-FLO™ 2, WESTERN®.

Printed in U.S.A.