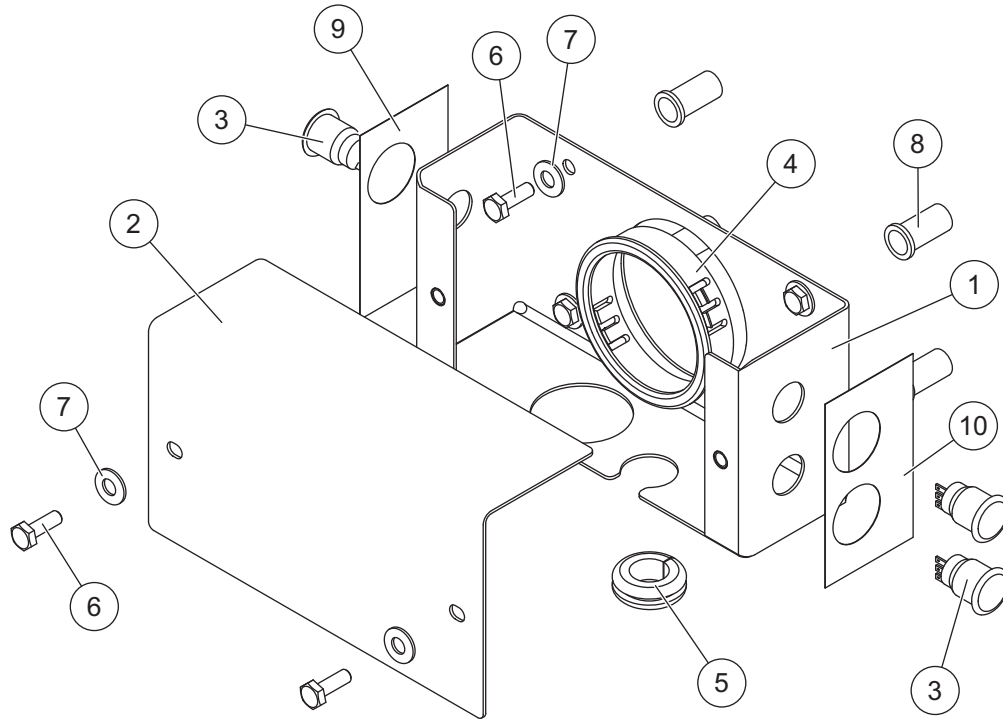


Tornado™ HOPPER SPREADER

EXTERNAL ENCLOSURE



Switch Box Enclosure Assembly							
Item	Part	Qty	Description	Item	Part	Qty	Description
1	99746	1	External Enclosure, Body	7	6	6	1/4 Flat Washer SS
2	99747	1	External Enclosure, Cover	8	78263	4	Well Nut
3	99254	3	Push Button Switch	ns	95077	1	Dump Switch Label Kit (incl. items 9 & 10)
4	78434	1	Snap-In Grommet	9		1	One-Button Label
5	99195	2	Break-Thru Plug	10		1	Two-Button Label
6		6	1/4-20 x 3/4 Hex Cap Screw SS				
ns = not shown				SS = Stainless Steel			