



PARTS & INSTALLATION INSTRUCTIONS E-73 ELECTRO-LIFT® UNIT

PARTS LIST

ITEM	E-73 12V	QTY	DESCRIPTION
	16024	1	Lift Assembly (Unit Only)
1	15212	1	• Motor (2 Terminal)
2	15211	1	• Pump Assembly
3	15083	4	• Allen Head Screw 1/4-20 x 3"
4	15101	1	• Pump Filter Assy.
5	15223	1	• Reservoir w/Drain Plug
6	15066	1	• Reservoir Clamp
7	15187	1	• Reservoir Breather
8	-----	1	• Oil Pick up Tube 5-3/4"
9	-----	1	• Oil Return Tube 8"
10	-----	1	• Oil Return Tube 8"
11	-----	1	• Base Assembly
12	15213	1	• Adjustable Relief Valve
13	15214	1	• Seal Kit (All Seals)
14	15215	3	• Coil (12V)
15	15146	1	• "A" Cartridge Valve
16	15117	1	• "B" Cartridge Valve
17	15111	1	• "C" Cartridge Valve
18	15217	1	• Kit Needle Valve (Lower Adj.)
19	15216	1	• Kit Dual PO Check Valve
20	15152	1	• Kit Check Valve Assembly
21	15218	1	• Adjustable Relief Valve
22	22866	1	• 90 degree elbow fitting
23	14185	1	• Mounting Bracket
24	20049	2	• Bolt H 3/8-16 x 1"
25	20025	1	• Bolt H 5/16-18 x 3/4"
26	20326	1	• Lockwasher
27	15220	1	• Motor Solenoid

Parts indented are included in assembly under which they are indented.

E-73 PARTS BREAKDOWN

Hydraulic Solenoid Color Code:

OPERATION - SOLENOID COMBINATION

RAISE - Motor Solenoid + B

LOWER - A

LEFT ANGLE - Motor Solenoid Only

RIGHT ANGLE - Motor Solenoid + C

COIL COLOR CODE

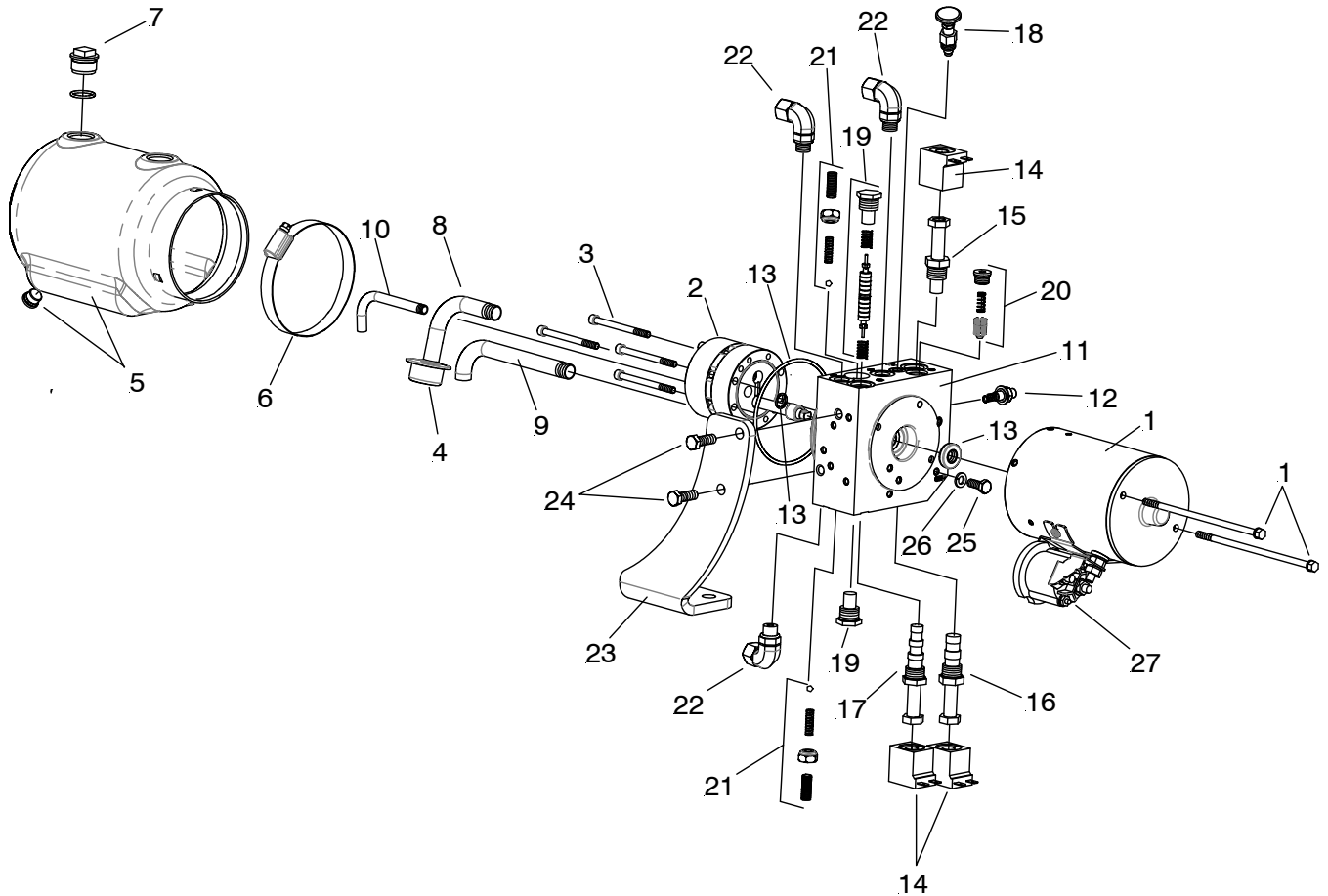
MOTOR SOLENOID - WHITE WIRE

A - BLACK WIRE

B - RED WIRE

C - GREEN WIRE

GROUND WIRE EACH COIL BLACK W/WHITE STRIPE



GENERAL INFORMATION

Before the Meyer Electro-Lift® unit is disassembled for repairs, make certain that all the maintenance procedures have been checked; refer to Owner's Manual. When the unit is to be overhauled, Seal Kit Part No. 15214 is required. This Kit contains all necessary Seals for rebuilding.

These instructions are intended as a guideline for overhaul of an E-73 Electro-Lift® unit.

When ordering parts, furnish Type of Unit, Part No., Name and Description.

More detailed information covering principles of Operation, Troubleshooting, Disassembly and Repair are found in the E-73 Electro-Lift® Service Manual. This is available for a nominal fee from your Meyer Distributor.

DISASSEMBLY AND INSPECTION OF UNIT

NOTE: DO NOT REUSE OLD O-RINGS.

Drain fluid from the unit by removing Reservoir Drain Plug (5). Carefully clamp E-73 unit firmly into vise.

1. Remove Cover.
2. Remove the hydraulic side harness (23023) from the hydraulic unit. **Note the positioning of the colored wires on the solenoid coil plugs to the coils on the hydraulic unit.**
4. To disassemble MOTOR (1) from Base Assembly (11), loosen Motor mounting bolts, but DO NOT REMOVE bolts from motor housing.
6. To disassemble RESERVOIR (5) from BASE ASSEMBLY (11) loosen RESERVOIR CLAMP (6). Gently separate Reservoir (5) from Base Assembly (11).

SUBASSEMBLIES - INSPECTION

1. BASE ASSEMBLY (11)

- a) Check Base Assembly for cracks and damage.

2. MOTOR - Two Terminal (1)

Note: Complete Motor Assemblies are only available from Meyer Products.

3. PUMP (2)

DO NOT at any time disassemble this Pump. This will void the warranty.

- a) Carefully remove fluid pick up piping (8, 9, 10).
- b) Clean Pump Filter Assy. (4)

4. RESERVOIR (5)

- a) Clean Reservoir (5) thoroughly.

5. Solenoid Cartridges (15, 16, 17)

- a) Clean "A" Cartridge (15) and inspect for damage.
- b) Clean "B" Cartridge (16) and inspect for damage.
- c) Clean "C" Cartridge (17) and inspect for damage.
- f) Test all Coils (14) for electrical continuity. Nominal Coil resistance is 8.3 ohms.

- g) Remove Check Valve (20) and inspect.
- h) Remove Relief Valve (12) and inspect for damage.
- i) Remove Needle Valve Cartridge (18) and inspect for damage. Clean before re-installing.
- j) Remove Dual PO Check Valve (19) and inspect for damage. Clean before re-installing.
- k) With parts removed from Base Assembly, clean and blow out with air to remove any foreign particles.

6. UNIT REASSEMBLY

- a) Before reassembling, make certain all components and sub-assemblies are clean and free from all dirt and other foreign material.

Lubricate all orings with M-1 oil during assembly.

Coat all bolt threads with a anti-sieze lubricant prior to reassembly.

- b) Motor mounting bolts must be sealed with Permatex or an all weather type sealant.
- c) **USE NEW SEALS AND M-1 FLUID WHEN REASSEMBLING THE UNIT.**
- d) Proper fluid level is marked on the Reservoir (5) and should be checked with the lift cylinder fully retracted.

IMPORTANT: All Hydraulic Rams should be stored with a light coat of grease on chrome ram in the off season to prevent rust.

Meyer Products LLC reserves the right, under its continuing product improvement program, to change construction or design details, specifications and prices without notice or without incurring any obligation.