

GMFK25A

* DO NOT EXCEED VEHICLE MANUFACTURER'S RECOMMENDED AXLE WEIGHT RATING.
 * CHECK FOR AEON INTERFERENCE WITH VEHICLE COMPONENTS - UNDER LOAD AEON WILL "GROW" IN DIAMETER.

JPF05-11/96

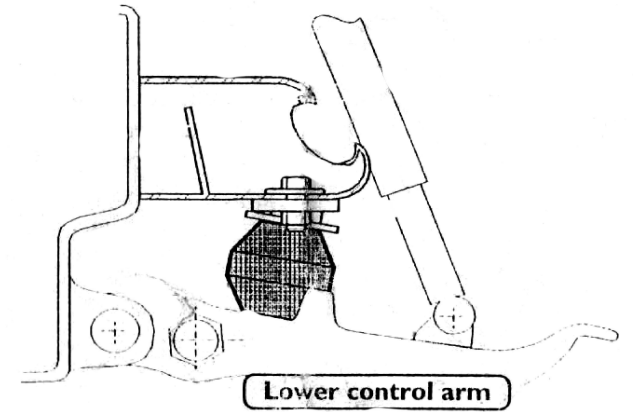
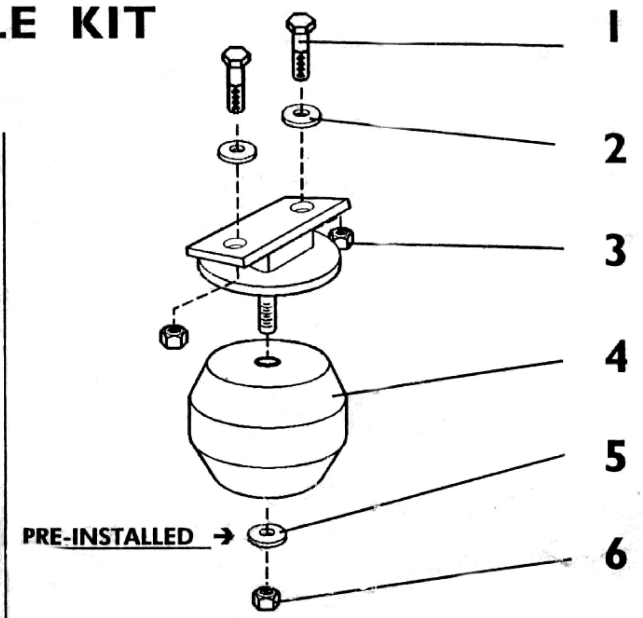
GMF K25A GMC & CHEV FRONT AXLE KIT

FITS GM & CHEV 3/4 TON VEHICLES

INSTALLATION INSTRUCTIONS

1. RAISE VEHICLE.
2. REMOVE EXISTING RUBBER BUMP STOP AND BRACKET.
3. ASSEMBLE THE **AEON** RUBBER SPRING AND THE **TIMBREN** FRAME BRACKET AS SHOWN IN THE ADJACENT DIAGRAM.
4. MOUNT THE **TIMBREN** ASSEMBLY TO THE FRAME.
5. LOWER VEHICLE.

NOTE: TURN WHEELS FULL LOCK BOTH DIRECTIONS TO MAKE SURE THERE IS NO INTERFERENCE WITH **AEON** HOLLOW RUBBER SPRING. CARE MUST BE TAKEN TO ENSURE SPRING DOES NOT INTERFERE WITH HYDRAULIC BRAKE LINES, ETC. IN THE LOADED CONDITIONS.



ITEM	DESCRIPTION	PART	QTY.
1	3/8"x1" UNF HH BOLT	F11120-0	4
2	3/8"x1" FLATWASHER	F70010-2	4
3	TIMBREN FRAME BRACKET	K10285	2
4	AEON HOLLOW RUBBER SPRING	A170/75	2
5	3/8" FENDER WASHER	F70010-3	2
6	3/8" UNF LOCKNUT	F61182-0	2

GMF K25A

