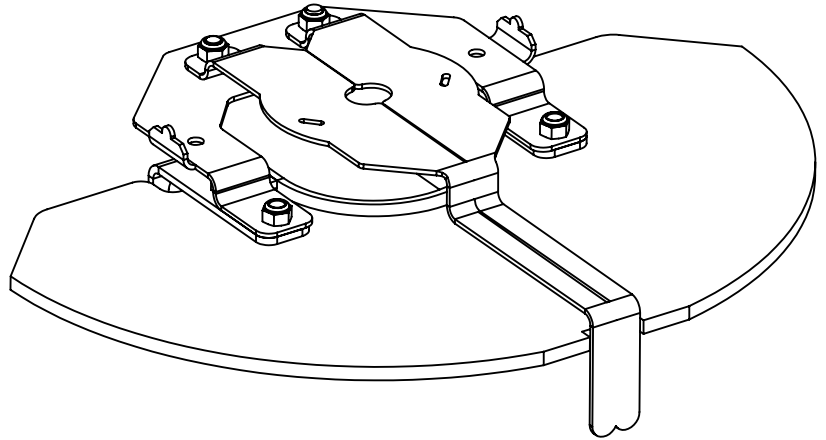
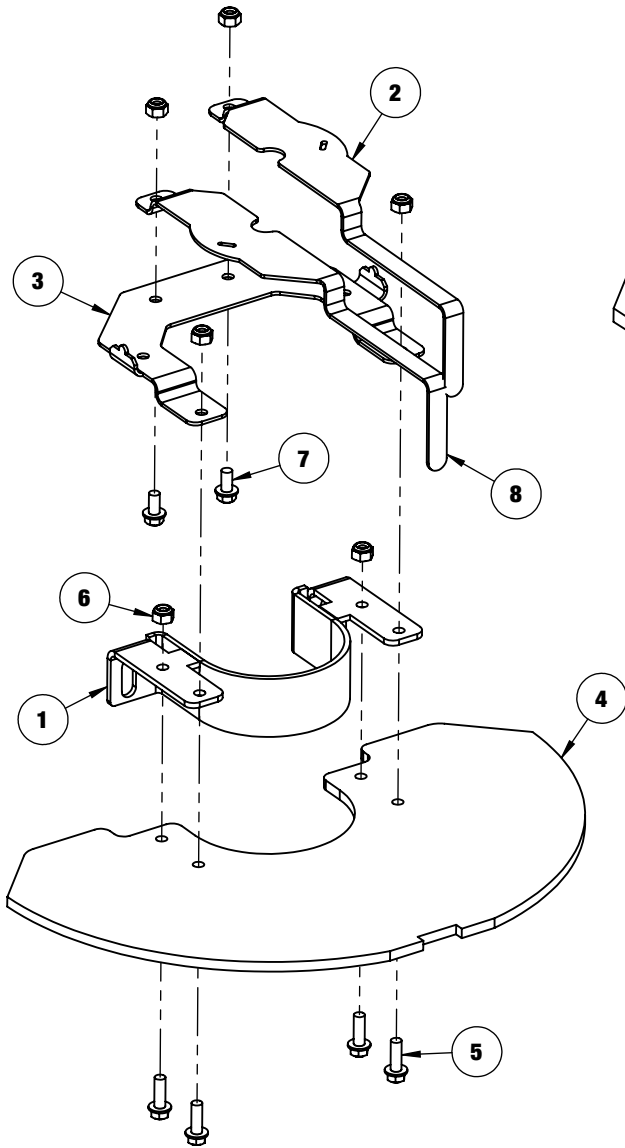


# Material Flow Gate Parts Breakdown

Model # MGK-020



Key	Part No.	Description	Qty.
1	D 6675	Throat Clamp	1
2	D 6677	Left Gate Arm	1
3	D 6678	Gate Arm Mounting Bracket	1
4	D 6679	CE Guard	1
5	D 6132	1/4-20 x 3/4 Serrated Flange Bolt SS	4
6	T 15016	1/4-20 Nylox Stainless	6
7	D 6131	1/4-20 x 1/2 Serrated Flange Bolt SS	2
8	D 6676	Right Gate Arm	1

# Material Flow Gate Instructions

Model # MGK-020



Step 1: Remove existing throat clamp by removing the two nuts that hold it in position (fig 1).

Step 2: Install gate kit (fig 2) back onto studs with nuts and lightly tighten.

Step 3: Make sure that the gate arms have sealed off the throat/neck of the spreader. You can now tighten down.

Step 4: Check for any interference between spinner flites and gate assembly. You may have to lower your spinner in case of contact.

