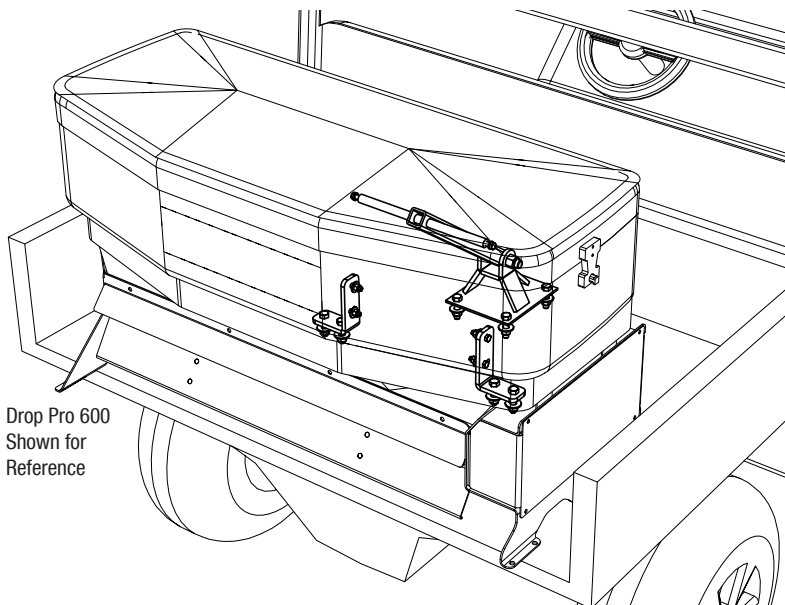


# Installation Instructions

# SNOWEX<sup>®</sup>

LEADERS IN ICE CONTROL



Drop Pro 600  
Shown for  
Reference

**UBM-175**

**TRYNEX<sup>®</sup>**  
INTERNATIONAL

**CUSTOMER COPY**

Madison Heights, Michigan 48071  
800-SALTERS  
[www.snowexproducts.com](http://www.snowexproducts.com)

# Table of Contents



Introduction .....	3
Fastener Torque Chart.....	3
Safety .....	4
Installation Instructions .....	5-7

Have a question or need assistance?

**SnowEx Customer Care**

**(800) SALTERS**

or (248) 586-3500

Monday through Friday 8:00 AM to 4:30 PM EST

Fax: (248) 691-8378

E-mail: [customercare@trynexfactory.com](mailto:customercare@trynexfactory.com)

Website: [www.snowexproducts.com](http://www.snowexproducts.com)

These Installation Instructions have been designed to guide you while installing your UBM-175 Mount Kit. Follow these instructions with care to ensure performance and longevity. Please read and understand the safety warnings associated with the installation and assembly of the spreader before beginning. In addition the safety information in these instructions, observe general safety guidelines to maintain your safety and the safety of those around you. To install your UBM you will need a set of wrenches, ratchet and sockets, and a 17/32" drill bit.



**THIS SIGN SHOULD ALERT YOU:**

This Safety Alert Symbol is used to pinpoint instructions that, if not carefully followed, can create a safety hazard. When you see this symbol in this manual or on the machine itself, be alert – your safety and the safety of others is involved.

Defined below are the Safety Alert Messages.



**DANGER**

**DANGER**

Information that, if not carefully followed, can cause death.



**WARNING**

**WARNING**

Information that, if not carefully followed, can cause serious personal injury or death.



**CAUTION**

**CAUTION**

Information that, if not carefully followed, can cause minor injury or damage to equipment.



**IMPORTANT**

This symbol is used to call out information that is important to follow carefully.

**FASTENER TORQUE CHART**

Use this chart as a guide for tightening hardware.

Hand-tighten all fasteners until complete, then tighten to the recommended torque (unless specified otherwise in these instructions).

TORQUE CHART FT-LB	
Fastener	Recommended Torque (ft-lb)
1/4-20	6
5/16-18	13
3/8-16	23
7/16-14	35
1/2-13	55
9/16-12	80
5/8-11	110
3/4-10	200
7/8-9	320
1-8	480

Before attempting any procedure in this book, the safety information in this manual must be read and understood by all personnel who have any part in the installation, preparation, transport, service, repair or use of this equipment.

For your protection, safety and information decals have been placed on the spreader to remind the operator of safety precautions and particular hazards.

---

## **DANGER**

Remember it is better to have extra assistance and precautions in order to avoid injury.

Do not lift spreader by yourself, seek competent assistance before lifting spreader onto vehicle. Use lifting devices if available.

Park vehicle on level ground before installing the mount kit.

Follow all vehicle safety information.

Lifting equipment must be in good repair. Use according the lift manufacturer's instructions and other training materials.

Do not use electrical equipment in rain or other wet conditions.

---

## **WARNING**

Personal protection equipment (PPE) must be worn to prevent accidental injury.

Rotating parts cause flying debris, wear safety glasses with side protection.

Wear face and hand protection when installing this kit, especially while drilling and areas where the metal is sharp from drilling.

Use genuine SnowEx parts for replacement. These meet the specific technical requirements.

Suitable and adequate mechanic's equipment is required for performing maintenance and service procedures.

---

## **CAUTION**

Use genuine SnowEx parts for replacement. These meet the specific technical requirements.

Adequate mechanic's equipment is required for performing maintenance and service procedures.

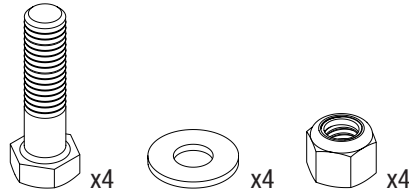
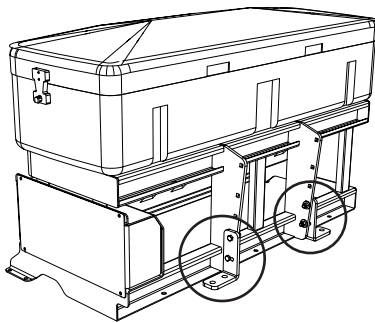
Follow all instructions in the spreader's manual in addition to the instructions contained in the mount kit manual.

# Installation Instructions



## STEP 1

Attach the Angle Brackets (F50964) to the Spreader frame.



Hardware:

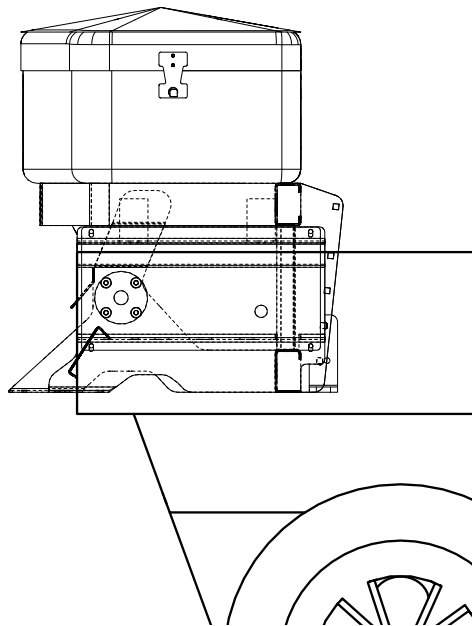
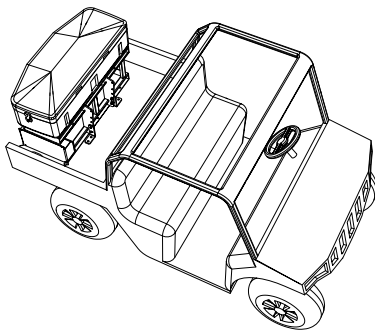
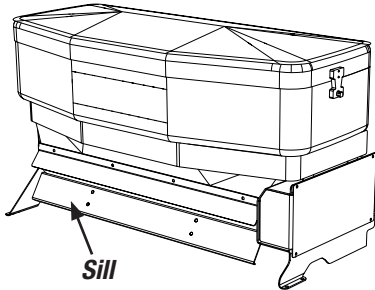
Bolt D4122 | 3/8" -16 X 1-1/2" Hex Head Zinc

Washer D4125 | 3/8" Flat USS Zinc

Nut D4124 | 3/8" -16 Nylox Zinc

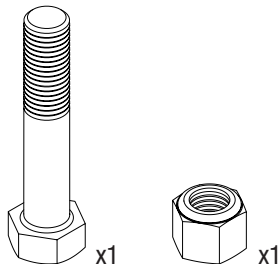
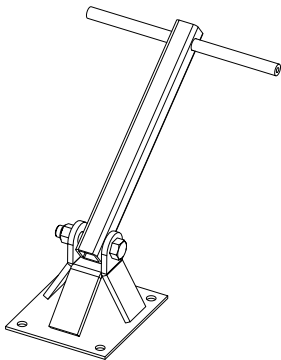
## STEP 2

Set the Spreader in the bed. Align the edge of the "Sill" one inch past the edge of the bed; center the spreader. Support and strap the spreader so the spreader will stay in place.



## STEP 3

Assemble the Upper Support (F51192) to the Top Link Base (F50963) using the supplied hardware. Tighten the bolt.



Hardware:

Bolt D4128 | 3/4" -10 X 4" Hex Head Zinc

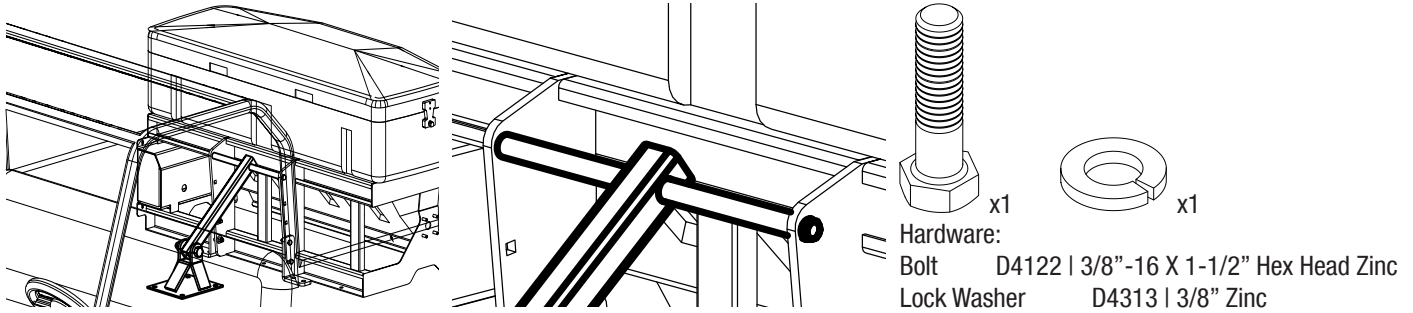
Nut D4129 | 3/4" -10 Nylox Zinc

# Installation Instructions



## STEP 4

Attach the Upper Support Assembly (from last step) to the spreader with the bolt and lock washers.



## STEP 5

Mark the positions of the holes in the brackets. Drill at these locations with a 17/32" Drill Bit (look underneath before drilling to make sure nothing is in the way). Detach the Support Assembly before removing the Spreader



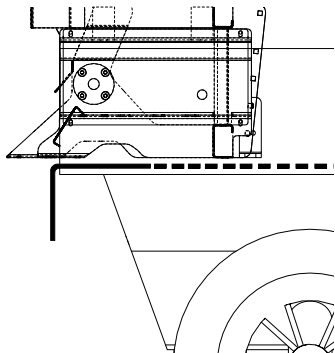
**WARNING**

Wear safety glasses with side protection.

Do not drill from underneath. It increases the risk of metal dust and shavings entering the eyes.

## STEP 7

Position the rubber flap on the bed, trim the width to fit the bed width. Mount the flap to the bed with self-drilling screws (not included), with the screws in a location that will not be directly contacting the spreader. Adjust front-to-back so there is approximately eight inches hanging off the rear of the bed.

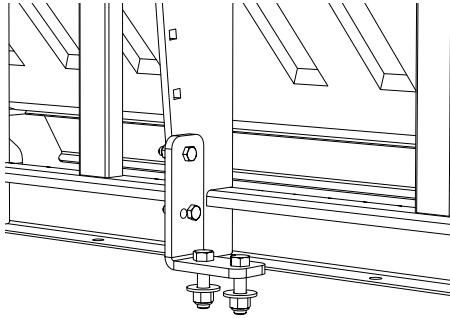


# Installation Instructions



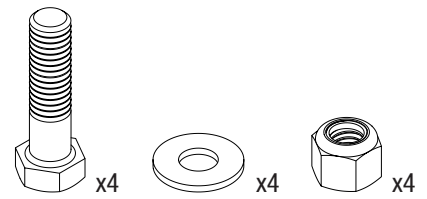
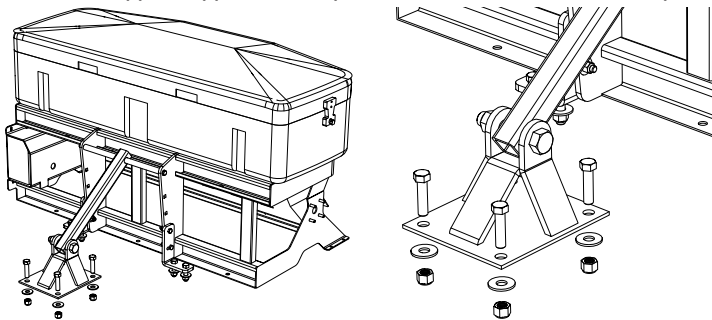
## STEP 7

Put the Spreader back in the bed (over the Rubber Flap). Bolt the Angle Brackets to the bed.



## STEP 8

Attach the Upper Support to the spreader frame, then mount the Top Link Base.



Hardware:

Bolt	D4206   1/2"-13 X 2" Hex Head Zinc
Washer	D4119   1/2" Flat USS Zinc
Nut	D4120   1/2"-13 Nylox Zinc

## STEP 9

Tighten all the fasteners to the required torque.

