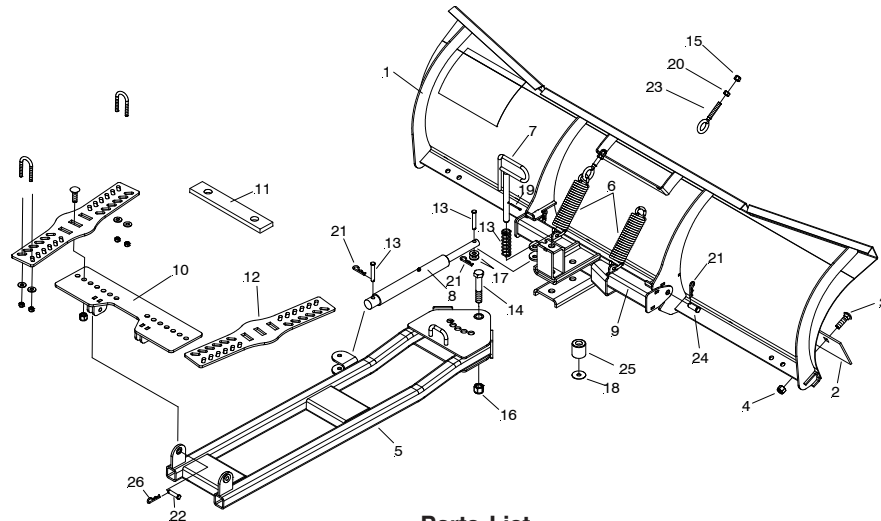


# Meyer Path Pro™ Moldboard

## Model PP-50", PP-60" & PP-72"

### UTV Universal Mounting Instruction



#### Parts List

Item	PP-50"	PP-60"	PP-72"	Qty.	Description
	29005	29105	29205		<b>UTV Path Pro Kit</b>
1	09344	09363	09419	1	• Path Pro™ Moldboard Assy
2	09337	09335	09418	1	•• Cutting Edge
3	21943	21943	21943	6	•• Bolt C 1/2-13 x 1-3/4" Gr. 5
4	20307	20307	20307	6	•• Locknut 1/2-13
	16616	16616	16616		<b>Path Pro™ UTV PAF Carton</b>
5	13243	13243	13243	1	•• Push Frame PP
6	13286	13286	13286	2	•• Trip Spring PP
7	13348	13348	13348	1	•• Pivot Pin Handle PP
	08329	08329	08329		<b>Carton UTV</b>
8	07665	07665	07665	1	••• Auto Angle Ram PP
9	13250	13250	13250	1	••• Pivot Bar PP
10	13464	13464	13464	1	••• UTV Universal Mounting
11	13471	13471	13471	1	••• Honda Big Red Strap
12	13363	13363	13363	2	••• Universal Plate
	08900	08900	08900		<b>Hardware Bag Plow</b>
13	13350	13350	13350	1	•••• Spring
14	20147	20147	20147	1	•••• Bolt H 5/8-11 x 3-1/2" Gr. 5
15	20305	20305	20305	2	•••• Locknut 3/8-16
16	20309	20309	20309	1	•••• Locknut 5/8-11
17	20353	20353	20353	2	•••• Flatwasher 3/8"
18	20364	20364	20364	1	•••• Flatwasher 3/8"
19	20385	20385	20385	1	•••• Cotter Pin 1/8 x 1-1/4"
20	20526	20526	20526	2	•••• Finish Nut 3/8-16
21	22845	22845	22845	4	•••• Hair Pin Cotter 1/8"
22	22850	22850	22850	2	•••• Clevis Pin 1/4 x 1-1/4"
23	22851	22851	22851	2	•••• Eyebolt 3/8-16 x 4"
24	22852	22852	22852	2	•••• Clevis Pin 3/8 x 2-1/4"
25	22880	22880	22880	1	•••• Rubber Lift Stop
	08885	08885	08885		<b>Hardware Bag UTV Mount</b>
	20097	20097	20097	2	•••• Bolt H 1/2-13 x 2" Gr. 5
	20307	20307	20307	2	•••• Locknut 1/2-13
	20355	20355	20355	2	•••• Flatwasher 1/2"
	22232	22232	22232	2	•••• U-Bolt 3/8" Assy
	20353	20353	20353	4	•••• Flatwasher 3/8"
	20305	20305	20305	4	•••• Locknut 3/8-16
	20094	20094	20094	2	•••• Bolt H 1/2-13 x 1-1/4" Gr. 5
	22009	22009	22009	4	•••• U-Bolt
26	22845	22845	22845	2	•••• Hair Pin 1/8 x 1-15/16"
	20352	20352	20352	8	•••• Flatwasher 5/16"
	22871	22871	22871	2	•••• Clevis Pin 3/8 x 1-1/2"
	20304	20304	20304	8	•••• Locknut 5/16-18

Parts indented are included in the assembly under which they are indented.




Meyer Products LLC reserves the right, under its continuing product improvement program, to change construction or design details, specifications and prices without notice or without incurring any obligation.

## UTV MOUNT ASSEMBLY INSTRUCTIONS

- A. If equipped, remove the bottom skid plate from UTV and retain.
- B. UTV universal mounting bracket (10) should be 35" away from the front of vehicle. See below.
- C. The mounting is universal to fit most UTV's. Inside hardware bag 08885 are various u-bolts and other fasteners to mount universal mounting bracket (10) to the UTV. The unersal plates (12) may not be used. Strap (11) may only be used on the Honda Big Red UTV.

### TORQUE CHART FOOT

- D. Tighten all bolts to proper torque using torque chart below.
- E. See owners manual for plow assembly and attachment.

Bolt Nut Size	Gr. 2 	Gr. 5 	Gr. 8 
1/4 - 20	4 - 5		
5/16 - 18	9 - 11		
3/8 - 16	17 - 20	26 - 29	
7/16 - 14		42 - 46	60 - 66
1/2 - 13		64 - 72	90 - 100
5/8 - 11		127 - 141	179 - 198

