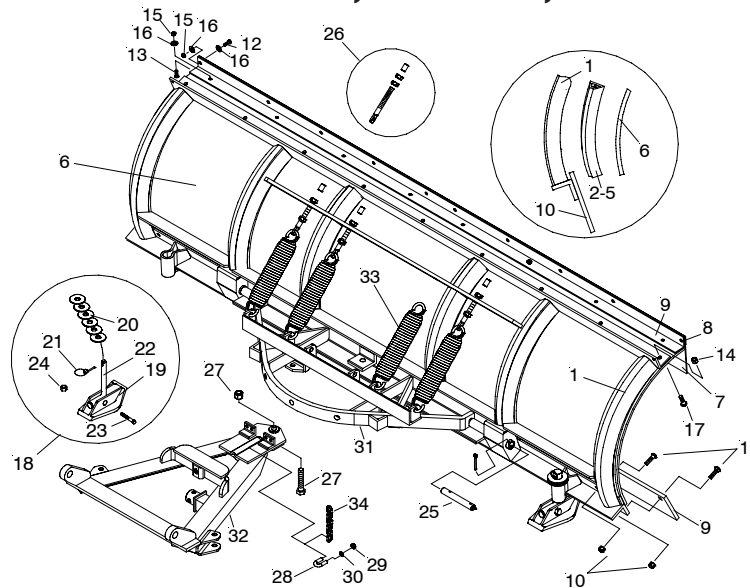


Parts & Installation Instructions

MDII™ Models CP-7.5, CP-8.0, CP-8.5 & CP-9.0



PARTS LIST

Item	CP 7.5	Qty	CP 8.0	Qty	CP 8.5	Qty	CP 9.0	Qty	Description
	09245	1	09246	1	09247	1	09252	1	Moldboard Assembly
1	12071	1	12000	1	12010	1	12125	1	• Moldboard Frame
2	12371	2	12371	2	12371	2	12371	2	• Rubber Insert Outside rib
3	12372	2	12372	2	12372	2	12372	2	• Rubber Insert Inside bottom rib
4	12376	2	12376	2	12376	2	12376	2	• Rubber Insert Inside pivot rib
5	12377	2	12377	2	12377	2	12377	2	• Rubber Insert Inside top rib
6	12072	1	12008	1	12015	1	12129	1	• Plastic Sheet
7	12073	1	12009	1	12014	1	12130	1	• Snow Deflector
8	12487	1	12497	1	12498	1	12031	1	• Bar Reinforcement
9	12491	1	12492	1	12499	1	12116	1	• Angle Support
10	09796	1	09133	1	09134	1	07259	1	• Cutting Edge
11	08692	1	08692	1	08692	1	-----	-----	• Bolt C 1/2-13 x 1-3/4"
	-----	-----	-----	-----	-----	-----	-----	-----	& Locknut (Kit of 10 each)
	-----	-----	-----	-----	-----	-----	08318	1	• Bolt C 5/8-11 x 2-1/4" Gr. 5
	-----	-----	-----	-----	-----	-----	-----	-----	& Locknut (Kit of 12 each)
12	22193	9	22193	10	22193	10	22193	10	• Bolt H 3/8-16 x 1" Gr.2
13	22191	6	22191	6	22191	8	22191	10	• Bolt C 3/8-16 x 1" Gr. 1
14	20307	22	20307	22	20307	24	20307	19	• Locknut Esna 1/2-13
15	20314	15	20314	16	20314	18	20314	20	• Locknut 3/8-16
16	20353	24	20353	26	20353	28	20353	30	• Flat Washer 3/8
17	22190	14	22190	14	22190	15	22190	19	• Bolt C 1/2-13 x 1-3/4" Gr. 5
	12078	1	12024	1	12025	1	12131	1	Snow Deflector Kit
18	09126	2	09126	2	09126	2	09126	2	• Runner & Spindle Assembly
19	07006	1	07006	1	07006	1	07006	1	• • Runner
20	20363	10	20363	10	20363	10	20363	10	• • Flat Washer 1-1/4"
21	22083	1	22083	1	22083	1	22083	1	• • Linch Pin
22	12057	1	12057	1	12057	1	12057	1	• • Spindle
23	20101	1	20101	1	20101	1	20101	1	• • Bolt H 1/2-13 x 3"
24	20307	1	20307	1	20307	1	20307	1	• • Locknut 1/2-13
25	08739	1	08739	1	08739	1	08739	1	• Hardware Bag
26	09119	2	09119	2	09119	2	09119	2	• Pivot Pin w/Ftg. & Cotter Pin
27	09124	4	09124	4	09124	4	09124	4	• Eye Bolt W/ Locknut & Cap
28	09125	1	09125	1	09125	1	09125	1	• King Bolt W/ Locknut
29									• 7/16-14 NC U-Bolt
30									• 7/16-14 NC Nut
31	20328	4	20328	4	20328	4	20328	4	• 7/16 Lockwasher
	16516	1	16516	1	16516	1	16516	1	Sector and A-Frame Carton
32	12793	1	12793	1	12793	1	12793	1	• Sector
33	13715	1	13715	1	13715	1	13715	1	• A-Frame (15" x 31" x 22-1/8")
34	07017	4	07017	4	07017	4	07017	4	• Trip Spring
	21534	2	21534	2	21534	2	21534	2	• Lift Chain 5/16 x 36"
	09916	1	09916	1	09916	1	09916	1	• Marker Kit

Parts indented are included in the assembly under which they are indented.

INSTALLATION INSTRUCTIONS

Note: The following instructions cover assembly of Moldboard, Sector and A-Frame. Refer to separate instructions for installation of plow mounting and hydraulic system.

- A. Liberally coat Pivot Pins (25) with chassis lubricant.
- B. Attach Sector (31) to Moldboard (1) with Pivot Pins (25) (grease fitting facing outward) and insert Hair Pin Cotter. Grease Pivot Pin using grease fitting.
- C. Attach Eye Bolts (26) to Moldboard (1) and trip Springs (33) to Sector (31), making certain locknuts are positioned as shown in Figure 1.
- D. Make certain each Eye Bolt (26) is in a vertical position as shown in figure 1 so that the Eye Bolt (26) and Trip Spring (33) hinge properly when moldboard trips.

Note: Proper tension is attained when Trip Spring (33) coils just begin to separate and then tightening top locknut four additional turns. Tighten bottom Locknut (20530) to secure Eyebolt in position. Install Eyebolt caps (07031) over exposed threads. See Figure 1.

- E. Attach A-Frame to Sector (31) as shown in Figure 2.
IMPORTANT: Install King Bolt (27) from bottom so that locknut is on top.

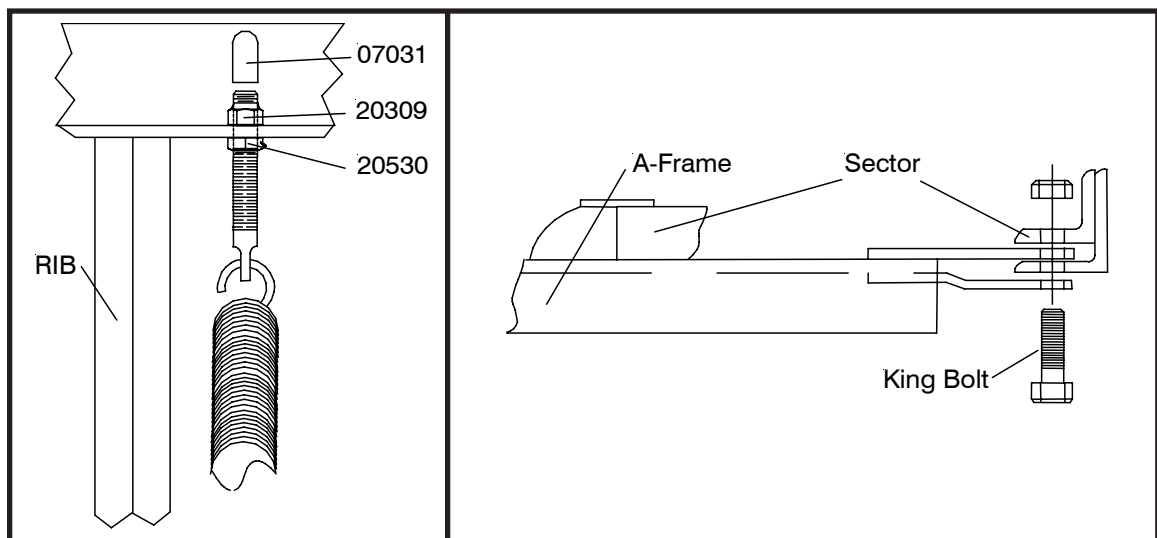


Figure 1

Figure 2