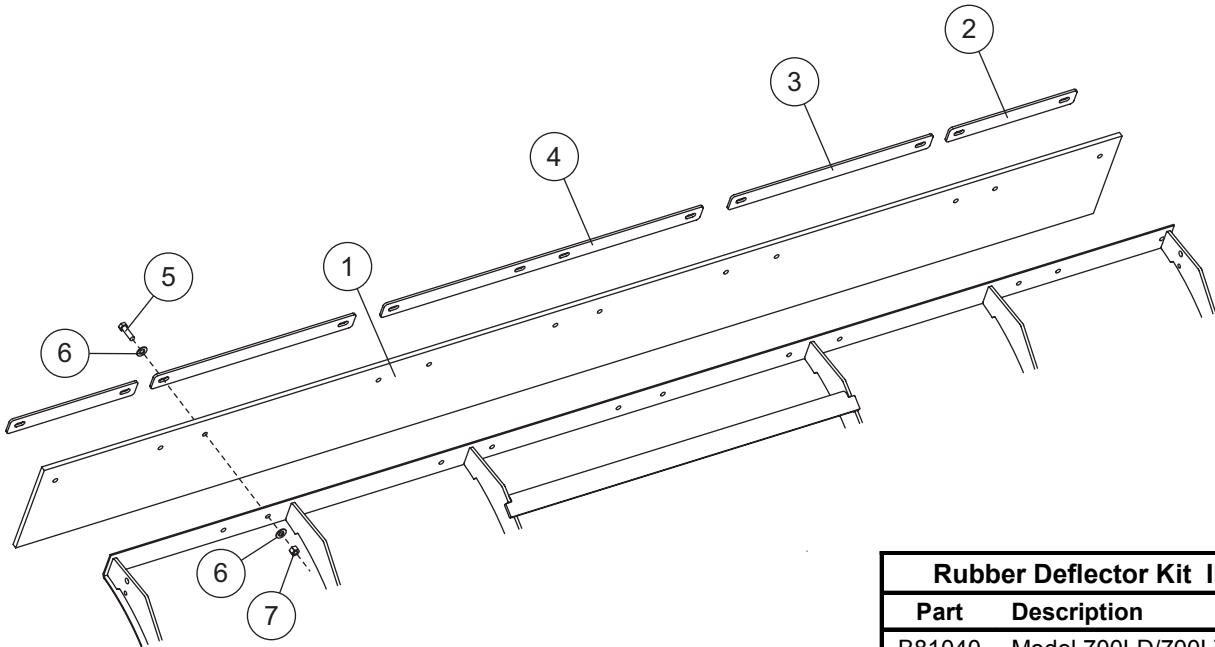


**PARTS LIST**



Rubber Deflector Kit ID	
Part	Description
B81040	Model 700LD/700LT
B61243	Model 760LD/760LT
B61242	Model 760HD
B61260	Model 800HD
B61545	Model 860HD

Straight Blade Rubber Deflector Kits							
Item	Qty	Description	Part				
			B61242	B61243	B61260	B61545	B81040
1	1	Rubber Deflector	B61207	B61204	B61205	B61552	B81043
2	2	Mount Strip – Outside	B61236	B61237	B61233	B61553	n/a
	4	Mount Strip	n/a	n/a	n/a	n/a	B81044
3	2	Mount Strip – Inside	B61234	B61238	B61234	B61234	n/a
4	1	Mount Strip – Center	B61235	B61239	B61235	B61235	B61239
ns	1	Hardware Kit	B61380				
B61380 Hardware Kit							
5	12*	3/8-16 x 1-1/4 Hex Cap Screw G8	90055				
6	24*	3/8 Hardened Flat Washer	29233				
7	12*	3/8 x 16 Hex Locknut GC	B61034				
ns = not shown			G = grade				
* = B81040 & B61243 kits will use one less set of fasteners.							

**INSTALLATION INSTRUCTIONS**

**⚠ WARNING**

Do not exceed GVWR or GAWR, including blade and ballast. The rating label is found on the driver-side vehicle door cornerpost.

**⚠ CAUTION**

Read this document before installing the deflector kit.

**⚠ CAUTION**

Use standard methods and practices when attaching snowplow and installing accessories including proper personal protective safety equipment.

**⚠ CAUTION**

See your sales outlet for specific vehicle application recommendations before installation. Deflector kit weight information may be found in the Undercarriage Selection Guide.

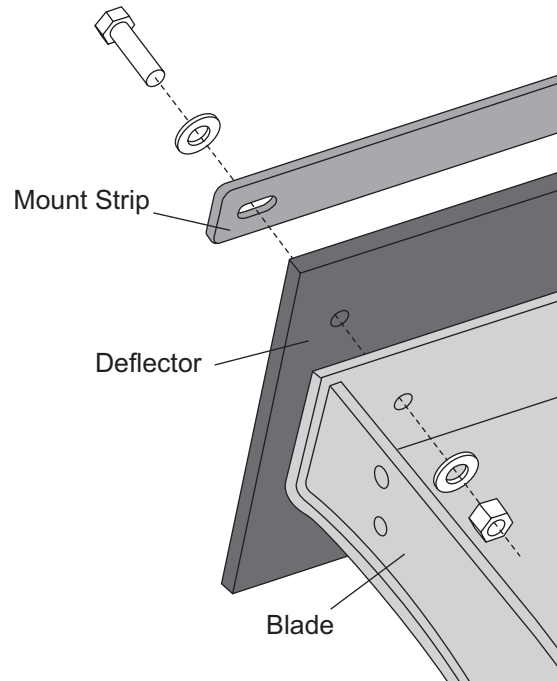
1. Park the vehicle on a smooth, level, hard surface, such as concrete. Lower the blade to the ground, and turn the control to the OFF position. Disconnect the snowplow from the vehicle, or turn the vehicle ignition to the OFF position and remove the key.
2. Center the rubber deflector across the top of the moldboard. Clamp the deflector into place on the blade.
3. The holes in the deflector will be used as guides to drill holes in the moldboard. Make sure that none of the holes in the deflector align with welds on the moldboard. If any of the holes do align with welds on the moldboard, adjust and reclamp the deflector as necessary before drilling.

4. **B61243 & B81040 Kits:** Using the holes in the deflector as guides, drill eleven 7/16" holes in the top of the moldboard.

**B61242, B61260 & B61545 Kits:** Using the holes in the deflector as guides, drill twelve 7/16" holes in the top of the moldboard.

5. **B81040 Kit:** Place the mount strips on the rubber deflector. The longest strip goes in the center, and two of the short strips go on either side of the center.

**B61242, B61243, B61260 & B61545 Kits:** Place the mount strips on the rubber deflector. The longest strip goes in the center, the next longest strips go on either side of the center and the shortest strips go on the outer edge.



6. Attach the mount strips and deflector to the blade using the supplied 3/8" x 1-1/4" cap screws, washers and locknuts. Tighten fasteners until the mount strips are tight against the deflector.

Copyright © 2007 Douglas Dynamics, L.L.C. All rights reserved. This material may not be reproduced or copied, in whole or in part, in any printed, mechanical, electronic, film or other distribution and storage media, without the written consent of Blizzard. Authorization to photocopy items for internal or personal use by the Blizzard outlets or snowplow owner is granted.

Blizzard reserves the right under its product improvement policy to change construction or design details and furnish equipment when so altered without reference to illustrations or specifications used. Blizzard or the vehicle manufacturer may require or recommend optional equipment for snow removal. Do not exceed vehicle ratings with a snowplow. Blizzard offers a limited warranty for all snowplows and accessories. See separately printed page for this important information. The following is a registered (®) trademark of Douglas Dynamics, L.L.C.: BLIZZARD®.