



90750, 90800, 90850, 90900, 93800, 93900, 97200, 97200-3
97200-4, 97300, 97300-3, 97300-4, 97250-1(CH)
Fisher Engineering 97250-3(CH), 97250-4(CH)

50 Gordon Drive, Rockland, Maine 04841-2139 • www.fisherplows.com

February 16, 2021
Lit. No. 41776, Rev. 04

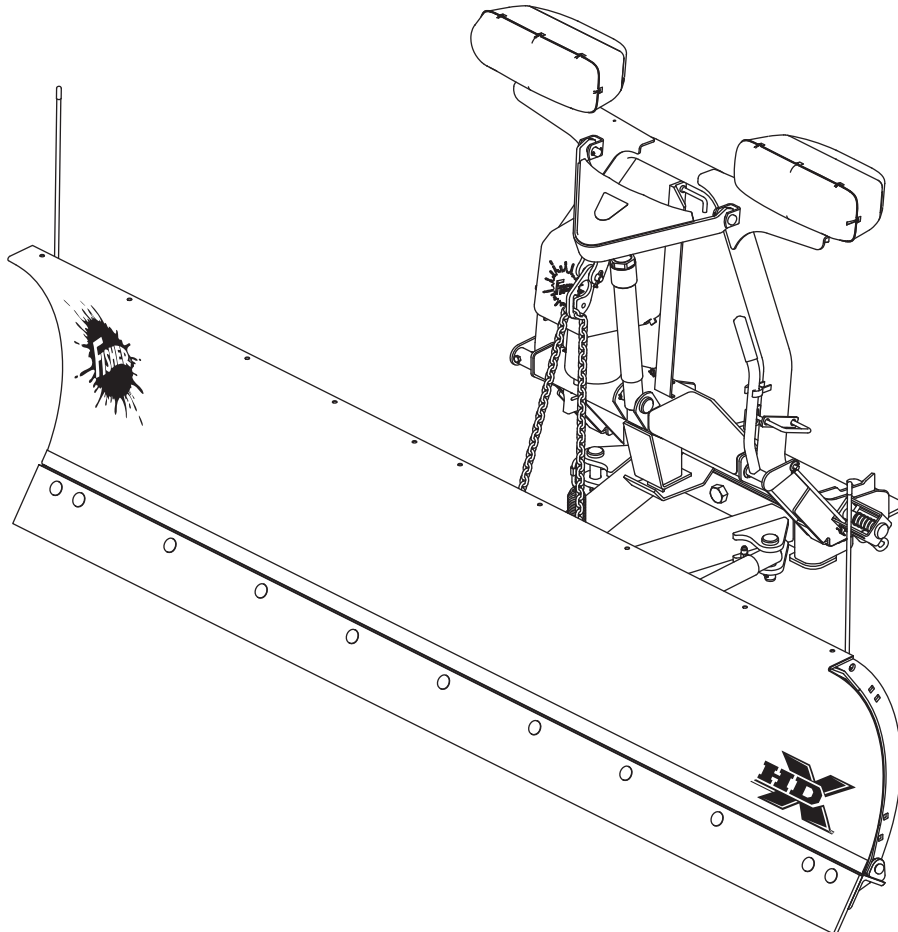


Blade and Off-Truck Kit

HD2™ and HDX™ Snowplows

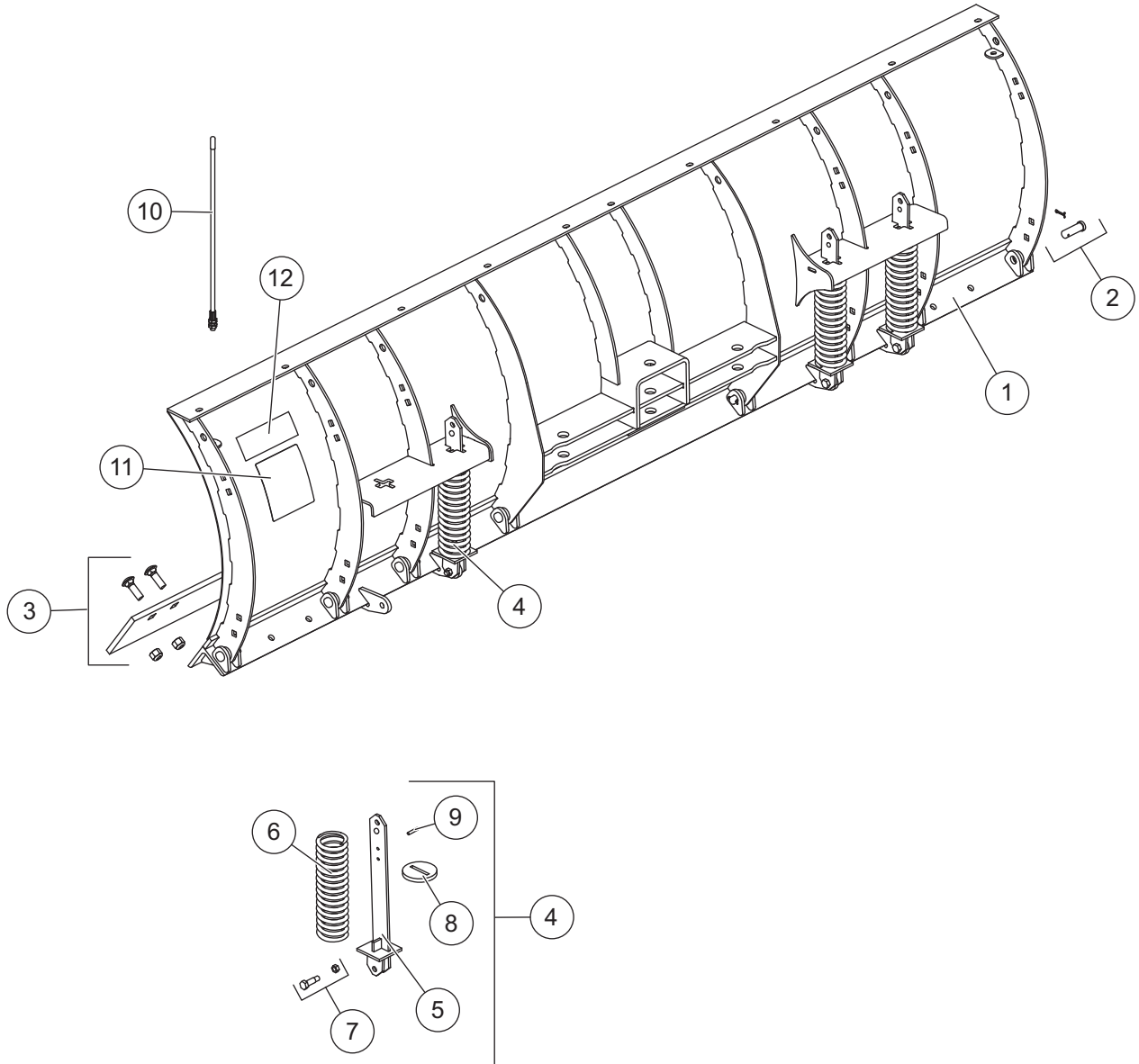
Includes Central Hydraulics Applications

Parts List



BLADE COMPONENTS	4
HD2™ Blade Assembly	4
HDX™ Blade Assembly	6
HD2 and HDX Accessories.....	8
OFF-TRUCK KITS	10
A-Frame Components	10
Headgear Components.....	12
Hydraulic Unit Components	14
Lift and Angle Rams Components	16
Hoses and Fittings	17
Electrical Components.....	18
Vehicle-Side Wiring Diagrams	19
3-Port, 2-Plug System	19
Central Hydraulics	20
Headlamp Kit	21

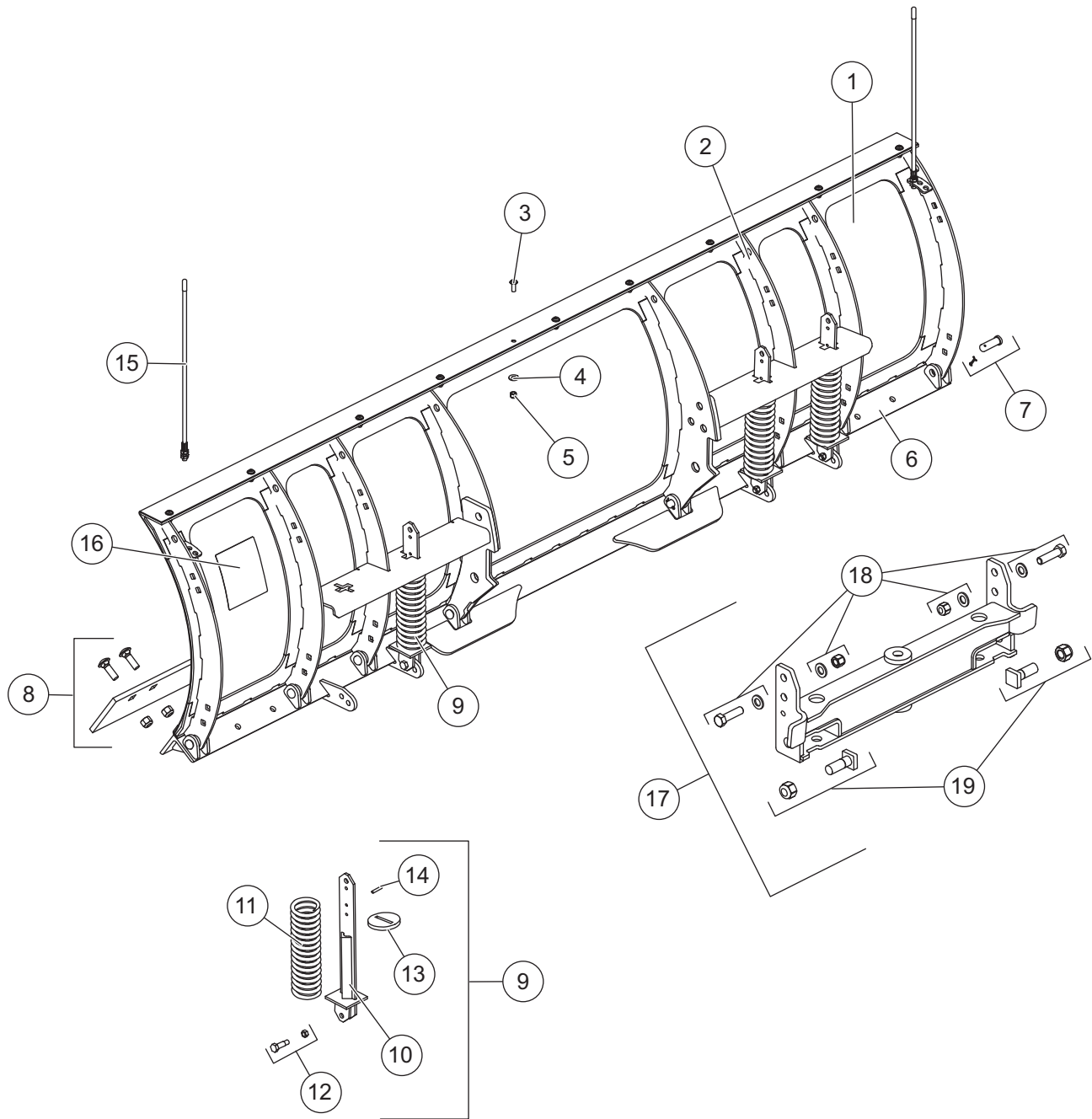
HD2™ Blade Assembly



**90750, 90800, 90850, 90900, 93800, 93900, 97200, 97200-3, 97200-4, 97300,
97300-3, 97300-4, 97250-1(CH), 97250-3(CH), 97250-4(CH)**

90750/90800/90850/90900 HD2™ Blade Assembly – 7'6"/8'8'6"/9'							
Item	Part	Qty	Description	Item	Part	Qty	Description
1	52511	1	Base Angle – 7'6"	5	20757	4	Removable Spring Bar
	52512	1	Base Angle – 8'	6	27406	4	Trip Spring
	52513	1	Base Angle – 8'6"	7	40905	4	Shoulder Bolt w/Locknut
	52514	1	Base Angle – 9'	8	20191	4	Removable Spring Disk
2	84844	8	3/4 x 2-3/16 Machine Pin w/Cotter	9	20181	4	1/4 x 1-1/4 Pin
3	5532	1	3/8 Steel Cutting Edge – 7'6"	10	7906K	1	Blade Guide Kit (set of 2)
	5533	1	1/2 Steel Cutting Edge – 8'	11	59900	1	Label – Warning/Caution, Snowplows
	26460	1	1/2 Steel Cutting Edge – 8'6"	12	26211	1	Label – Logo, STORM GUARD™
	5534	1	1/2 Steel Cutting Edge – 9'	ns	20238	1	Label – Logo, FISHER®
4	26464	4	Removable Spring Assembly	ns	43893	1	Label – Logo, HD2
ns = not shown							

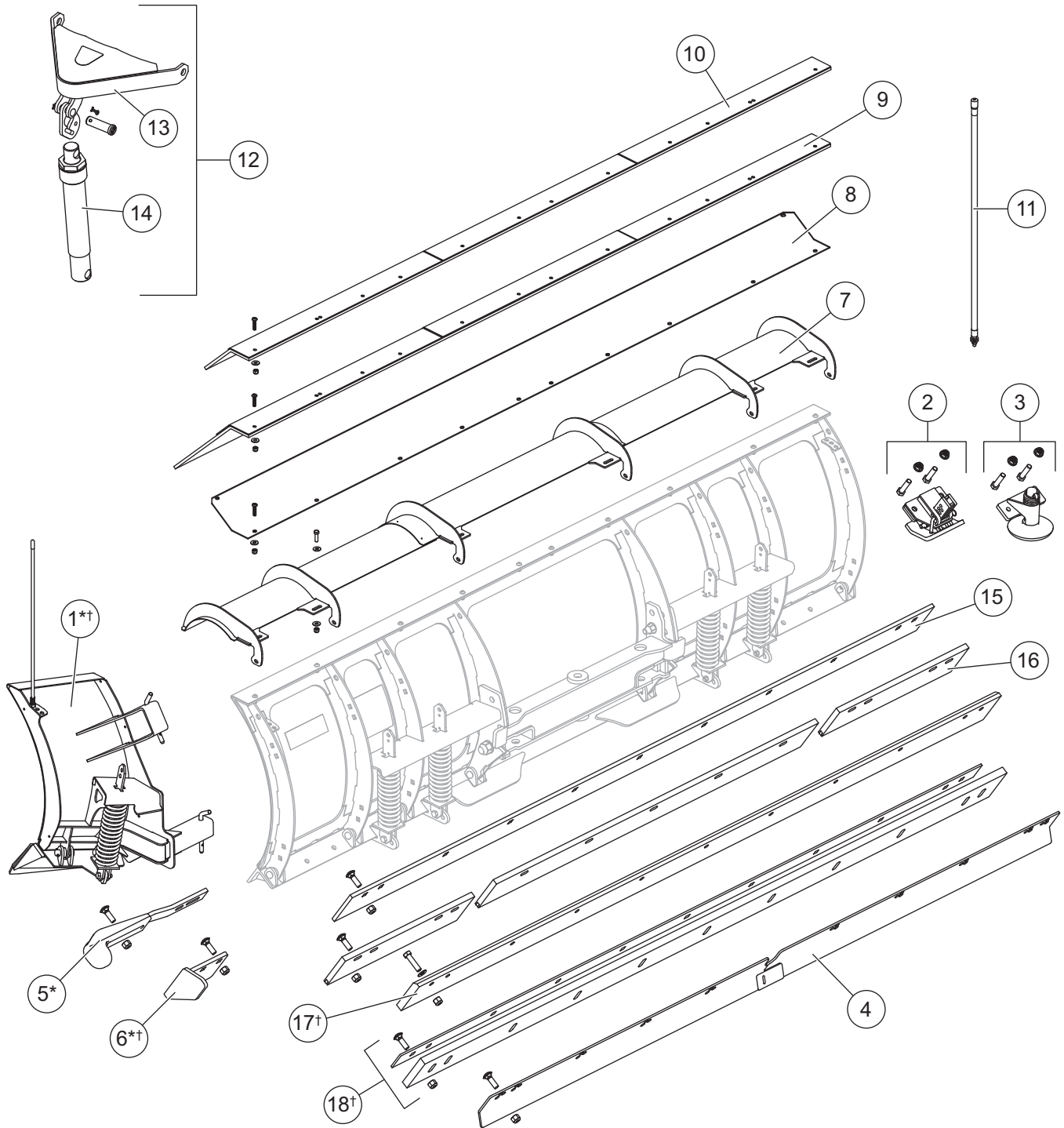
HDX™ Blade Assembly



**90750, 90800, 90850, 90900, 93800, 93900, 97200, 97200-3, 97200-4, 97300,
97300-3, 97300-4, 97250-1(CH), 97250-3(CH), 97250-4(CH)**

93800/93900 HDX™ Blade Assembly – 8'9'							
Item	Part	Qty	Description	Item	Part	Qty	Description
1	52164	1	Moldboard Kit SS – 8'	10	20757	4	Removable Spring Bar
	52163	1	Moldboard Kit SS – 9'	11	27406	4	Trip Spring
2	52165	1	Blade Frame (w/o Base Angle) – 8'	12	40905	4	Shoulder Bolt w/Locknut
	52166	1	Blade Frame (w/o Base Angle) – 9'	13	20191	4	Removable Spring Disc
3	98035	10	3/8-16 x 1 Button Cap Screw SS	14	20181	4	1/4 x 1-1/4 Pin
4	29233	10	3/8 Hardened Flat Washer	15	7906K	1	Blade Guide (set of 2)
5	95410	10	3/8-16 Brass Locknut	16	59900	1	Label – Warning/Caution, Snowplows
6	52167	1	Base Angle – 8'	17	52588	1	Articulating Quadrant w/Fasteners
	52182	1	Base Angle – 9'	18	52638	1	3/4-10 x 2-3/4 G5 Fastener Kit
7	84844	8	3/4 x 2-3/16 Machine Pin w/Cotter	19	52595	1	1-14 x 2-3/4 G8 Square Bolt Kit
8	5533	1	1/2 Steel Cutting Edge – 8'	ns	20238	1	Label – Logo, FISHER®
	5534	1	1/2 Steel Cutting Edge – 9'	ns	43672	1	Label – Logo, HDX
9	26464	4	Removable Spring Assembly				
ns = not shown			G = Grade		SS = Stainless Steel		

HD2™ & HDX™ Accessories



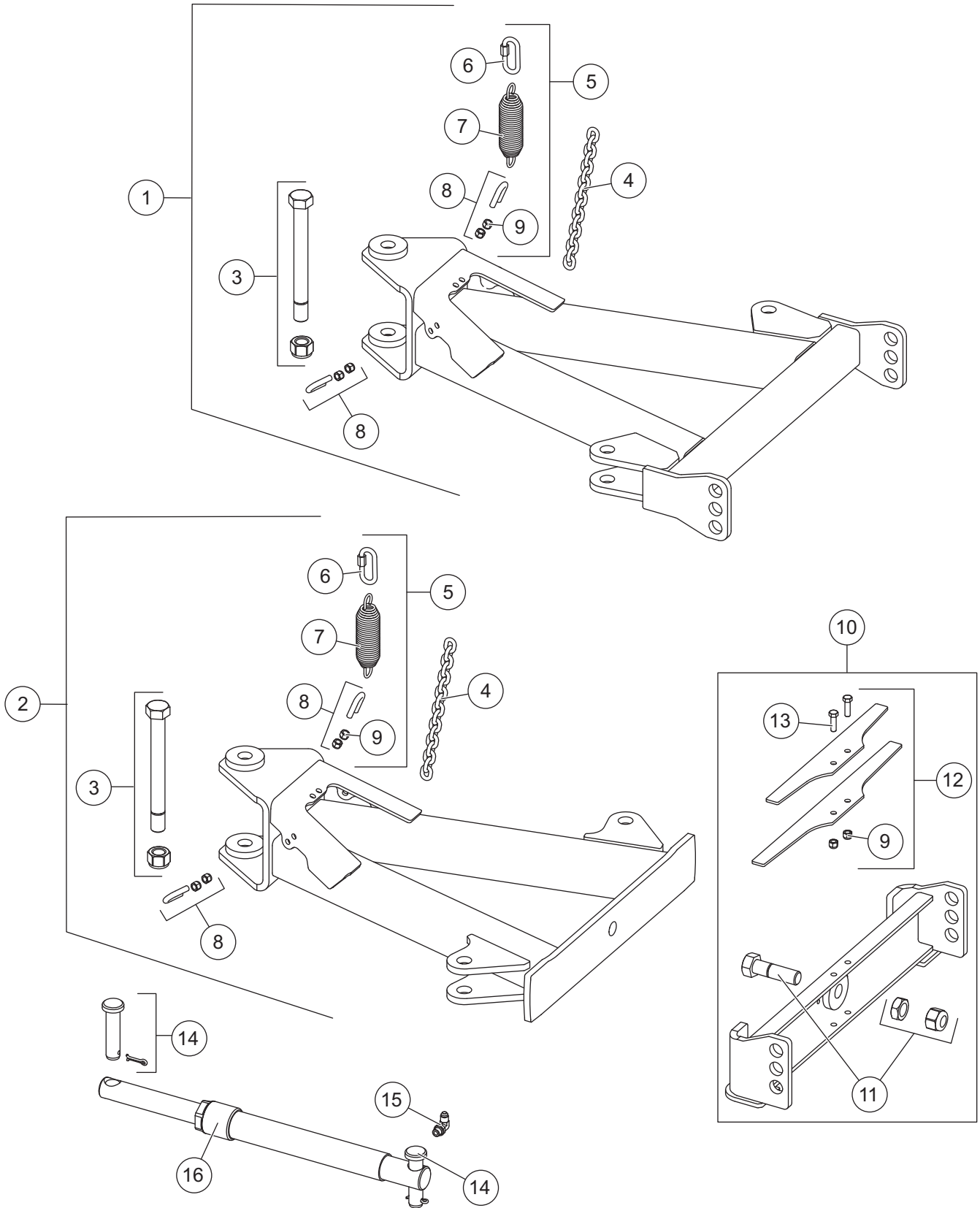
**90750, 90800, 90850, 90900, 93800, 93900, 97200, 97200-3, 97200-4, 97300,
97300-3, 97300-4, 97250-1(CH), 97250-3(CH), 97250-4(CH)**

HD2™ & HDX™ Accessories				
Item Description	Part Number			
	7'6" Blade	8' Blade	8'6" Blade	9' Blade
1*† Accessory Wings (DS and PS)	41790			
2 HDX & HD2 Adjustable Shoe Kit (set of 2)	41785			
3 HD2 Cast Shoe Kit (set of 2)	52506			
4 Back Drag Edge Kit	51996	51997	51998	51999
5* Curb Guard Kit (set of 2)	44405			44406
6*† Wear/Curb Guard Kit (DS and PS)	51879			51880
7 SnoFoil® Assembly	52488			
8 Steel Deflector	41844	41845	41846	41847
9 18" Rubber Deflector Kit	52097	52098	52099	
10 10" Rubber Deflector Kit	52094	52095	52096	
11 36" Commercial Blade Guide Kit (set of 2)	51975			
12 HD Lift Arm & 1-3/4 Lift Ram Kit – Yellow	43875			
HD Lift Arm & 1-3/4 Lift Ram Kit – Silver	–	41859	–	41859
13 Heavy Duty Lift Arm – Yellow	28350-2			
Heavy Duty Lift Arm – Silver	–	27560-2	–	27560-2
14 1-3/4 x 10 Lift Ram	43132-1			
ns 1/2 Steel Cutting Edge Kit	50678	–	–	–
15 5/8 Steel Cutting Edge Kit	52675	52680	52685	52690
16 Carbide Insert Cutting Edge Kit	52147	52148	52149	52150
17† Poly Cutting Edge Kit	52168		52169	52170
18† Rubber Cutting Edge Kit	52118		52119	52120
ns = not shown				

* Items 5 and 6 curb guards not compatible with item 1 accessory wings.

† Items 17 and 18 cutting edges not compatible with item 1 accessory wings or item 6 wear/curb guards.

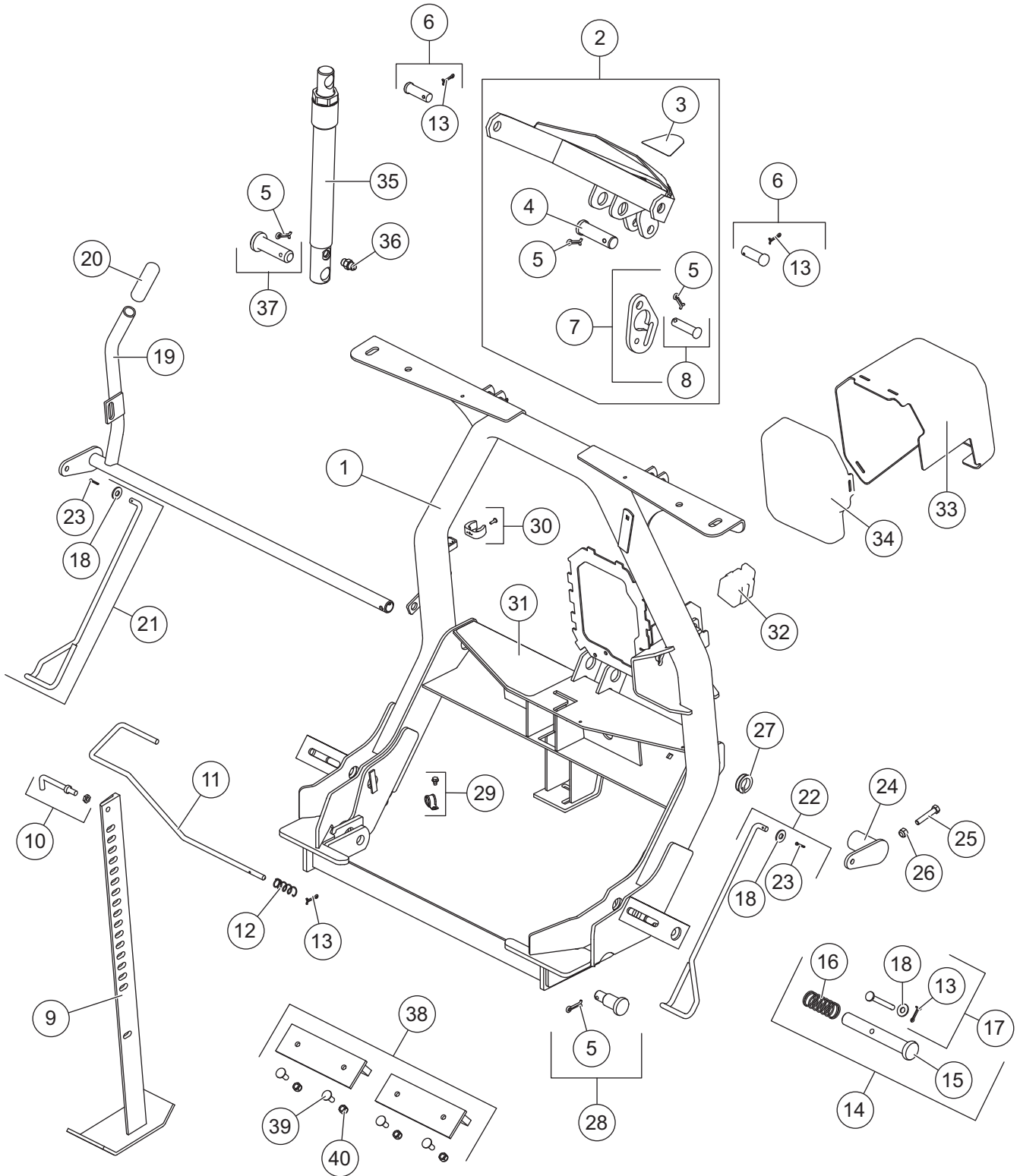
A-Frame Components



90750, 90800, 90850, 90900, 93800, 93900, 97200, 97200-3, 97200-4, 97300, 97300-3, 97300-4, 97250-1(CH), 97250-3(CH), 97250-4(CH)

A-Frame Components							
Item	Part	Qty	Description	Item	Part	Qty	Description
1	52186	1	A-Frame Kit – HD2™	9	91333	8	3/8-16 Hex Locknut GB
2	52185	1	Articulating A-Frame Kit – HDX™ (includes pivot beam)	10	52184	1	Pivot Beam Kit – HDX
3	50668	1	1 x 9-1/2 Pivot Bolt Kit	11	52621	1	1-8 x 3-1/2 G5 Bolt w/Jam Nut and Locknut – HDX
4	26999-1	1	5/16 G43 Lift Chain Bag	12	51130	1	Leaf Spring Kit – HDX
5	49521	1	Spring/U-Bolt/Link Kit	13	28201	2	3/8-16 x 1-1/4 Hex Cap Screw G5
6	68340	1	Quick Link	14	43603	4	1 x 3-3/4 Clevis Pin w/Cotter
7	27074	1	Spring	15	56725	2	Elbow, 90° –6 M JIC/–6 M ORB
8	A6148K	3	U-Bolt Assembly Packet	16	56603K	2	1-1/2 x 12 Angle Ram Assembly
G = Grade				M = Male			

Headgear Components



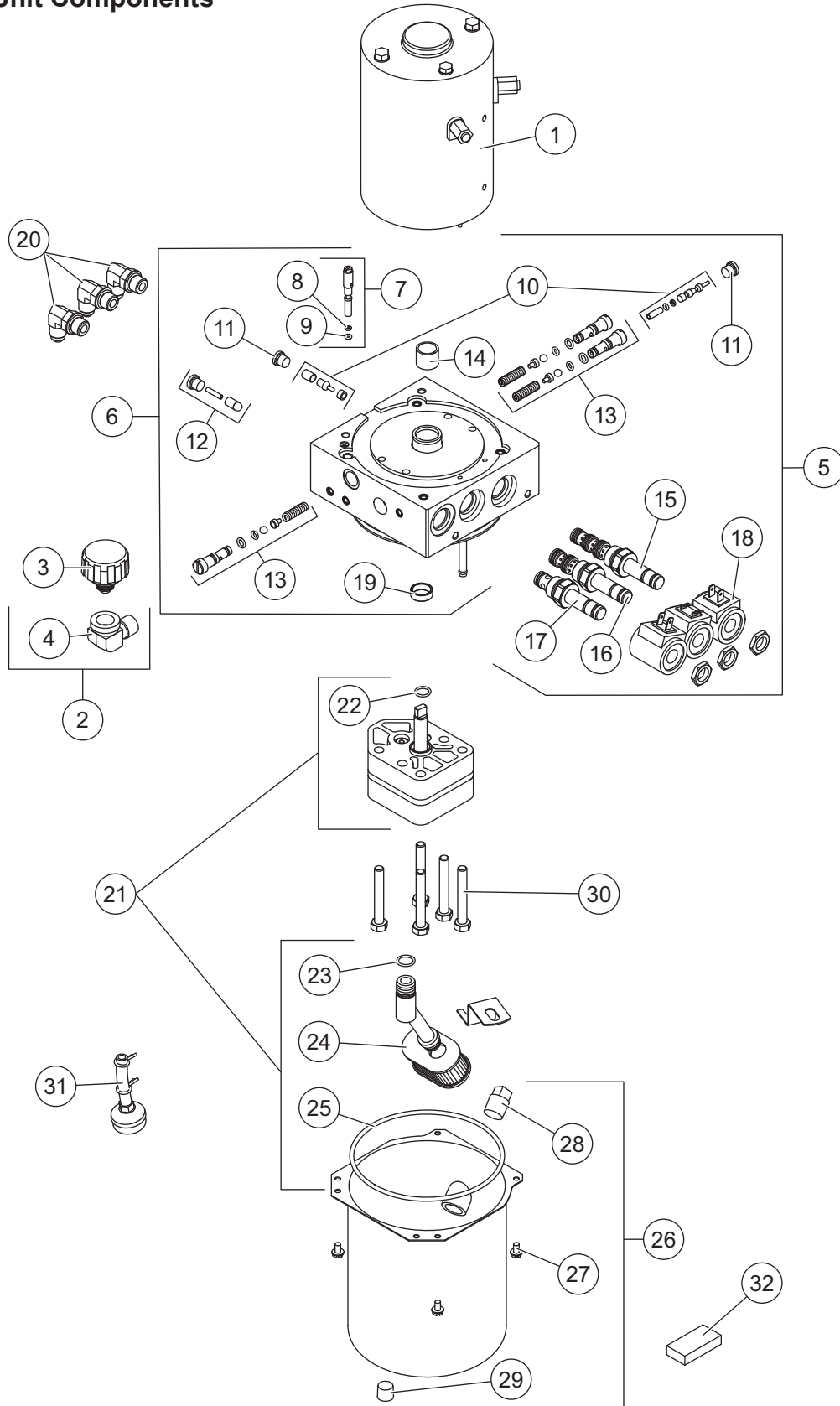
**90750, 90800, 90850, 90900, 93800, 93900, 97200, 97200-3, 97200-4, 97300,
97300-3, 97300-4, 97250-1(CH), 97250-3(CH), 97250-4(CH)**

Headgear Components							
Item	Part	Qty	Description	Item	Part	Qty	Description
1	49652	1	Headgear – HD2™/HDX™	23	91902	2	1/8 x 1 Cotter Pin
2	26757-1	1	Lift Arm Service Kit – Yellow	24	27465	1	Link Arm
	27560-2	1	Lift Arm Service Kit – Silver	25	90043	1	3/8-16 x 2 Hex Cap Screw G5
3	26777	1	Nameplate – Logo, Minute Mount® 2	26	91333	1	3/8-16 Hex Locknut GB
4	95720	1	1 x 3.313 Clevis Pin HT	27	27163K	2	Snap-In Bushing Kit (2 bushings)
5	90601	5	1/4 x 1-1/2 Cotter Pin	28	27177K	2	Step Pin Kit
6	4289K	2	3/4 x 1-7/8 Machine Pin Packet	29*	49522	2	Clamp Loop Kit
7	28991	1	Stop Link Kit	30	27162K-1	1	Stop Clip Kit
8	29037	1	5/8 x 2-5/8 Clevis Pin w/Cotter	31	27451	1	Label – Attach/Detach, MM2
9	27462	1	Jack	32	8284K	1	Cable Boot
10	27164K	1	Handle Kit	33*	68312-1	1	Hydraulic Cover, Front
11	27478	1	Jack Lock	34*	68313-1	1	Hydraulic Cover, Rear
12	27461	1	3/4 x 3-1/2 Compression Spring	35	56600K	1	1-1/2 x 10 Lift Ram Assembly
13	90658	5	5/32 x 1-1/4 Cotter Pin	36	49526*	1	Connector –6 M JIC/–6 M ORB
14	27168K	2	Connecting Pin Kit		56725†	1	Elbow, 90° –6 M JIC/–6 M ORB
15	26833	2	1 x 6-15/16 Clevis Pin	37	43603	1	1 x 3-3/4 Clevis Pin w/Cotter
16	821	2	1 x 3-1/2 Compression Spring	38	52194	1	Stacking Stop Kit – HDX
17	26219	2	3/8 x 3-1/4 Clevis Pin Kit	39	90201	4	3/8-16 x 1 Carriage Bolt G5
18	90315	4	3/8 Flat Washer Type A Wide	40	91333	4	3/8-16 Hex Locknut GB
19	27468	1	Handle, Link Arm Assembly	ns	69689*	1	Label – Logo, SECURITY GUARD™
20	27535	1	Handle Cover Kit	ns	42283	–	Headgear Service Kit (includes jack, link arm, connecting pin assemblies)
21	27166K	1	Wire Cam Kit – DS				
22	27167K	1	Wire Cam Kit – PS				
ns = not shown		G = Grade		M = Male		HT = Heat Treated	

* Not used for central hydraulics.

† Used for central hydraulics only.

Hydraulic Unit Components



**90750, 90800, 90850, 90900, 93800, 93900, 97200, 97200-3, 97200-4, 97300,
97300-3, 97300-4, 97250-1(CH), 97250-3(CH), 97250-4(CH)**

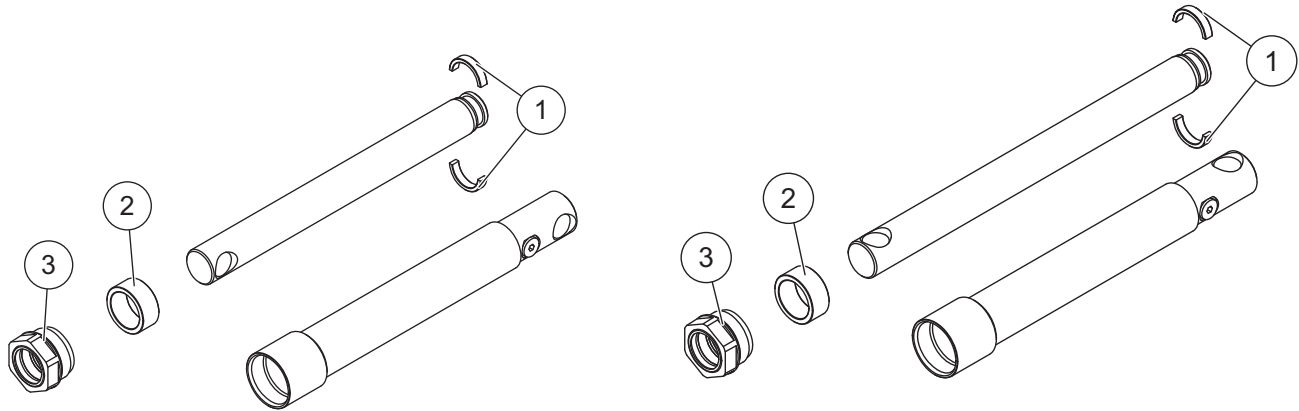
42293-1 Hydraulic Unit 42291-1* Hydraulic Unit Service Kit (not used for central hydraulics)							
Item	Part	Qty	Description	Item	Part	Qty	Description
1	21500K-1	1	Motor, 4-1/2"	18	7639K-2	3	Coil w/Spades
2	22344K	1	Elbow, Street 90° w/Breather	19 [‡]	66515	1	Pump Shaft Seal
3	21727-2	1	Breather Pressure Control	20	56725	3	Elbow, 90° –6 M JIC/–6 M ORB
4	21726	1	Elbow, Street 90° 3/8 M NPTF/ 3/8 F NPTF	21	21501K-1	1	Hydraulic Pump Kit
5	42294-1	1	Valve Manifold Assembly	22	56274	1	O-Ring -013
6	42292-1	1	Manifold Assembly	23	56416	1	O-Ring -014
7	56662	1	Quill Assembly	24	26781-3	1	Suction Filter
8	56315	1	Back-Up Ring -006	25	66519	1	O-Ring 2-250
9	25622	1	O-Ring -006	26	21830	1	Reservoir Kit
10	7630K	1	Poppet Check Valve Kit	27	66607	4	#10-24 x 5/16 Slotted Hex Washer-Head Machine Screw
11	92960	2	Plug, Hex Socket –3 M ORB	28	92079	1	Plug, Square 3/8 NPTF
12	56507	1	Bypass Check Valve Kit	29	92095	1	Plug, Hex Socket 1/4 NPTF w/Thread Sealant – SAE 130109N/P
13	7629K-3	2	Relief Valve Kit (set of 2)	30	90073	5	5/16-18 x 2-1/4 Hex Cap Screw
14**	64596-1	1	Sleeve Bearing and Shaft Seal Kit	31	66405	1	Return Screen Assembly
15	7637K-1	1	Cartridge Valve, 4-Way w/Nut	32	73897	1	Magnet
16	66608K-1	1	Cartridge Valve, 3-Way w/Nut				
17	7634K-2	1	Valve, 2-Way w/Nut				
O-Ring Service Kits							
–	7632K-4	–	O-Ring & Back-Up Ring Kit	–	49259-2	–	Seal Kit, 3-Way & 4-Way Valve
–	49258-2	–	Seal Kit, 2-Way Valve				
F = Female				M = Male			

* Includes 42293-1 hydraulic unit and plow-side electrical components (p. 17).

** Use 64589 tool for bearing sleeve replacement (includes 1 bearing).

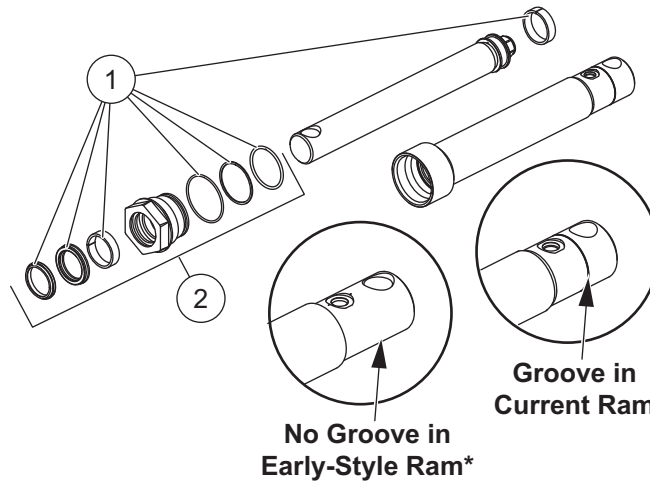
‡ Use 28856 tool for pump shaft seal replacement (includes 1 seal).

Lift and Angle Ram Components



56600K Lift Ram Assembly 1-1/2 x 10			
Item	Part	Qty	Description
1	20118K	1	Split Bearing 1-1/2
2	56537	1	Spacer
3	48985	1	Gland Nut Assembly

56603K Angle Ram Assembly 1-1/2 x 12			
Item	Part	Qty	Description
1	20118K	1	Split Bearing 1-1/2
2	56537	1	Spacer
3	48985	1	Gland Nut Assembly

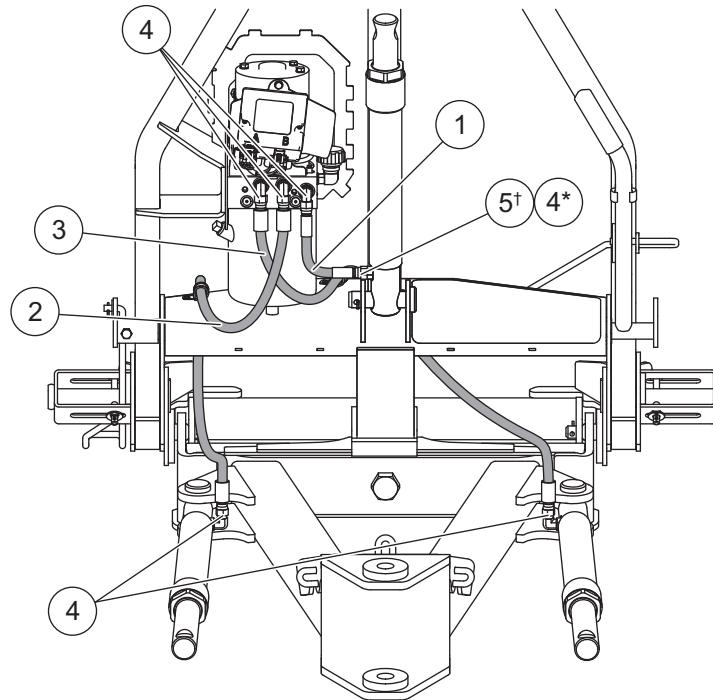


43132-1** Lift Ram Assembly 1-3/4 x 10			
Item	Part	Qty	Description
1	77924	1	Seal Kit
2	43135	1	Gland Nut Assembly

* Old-style lift rams are obsolete and should be replaced with current-style lift ram.

** Accessory only.

Hoses and Fittings

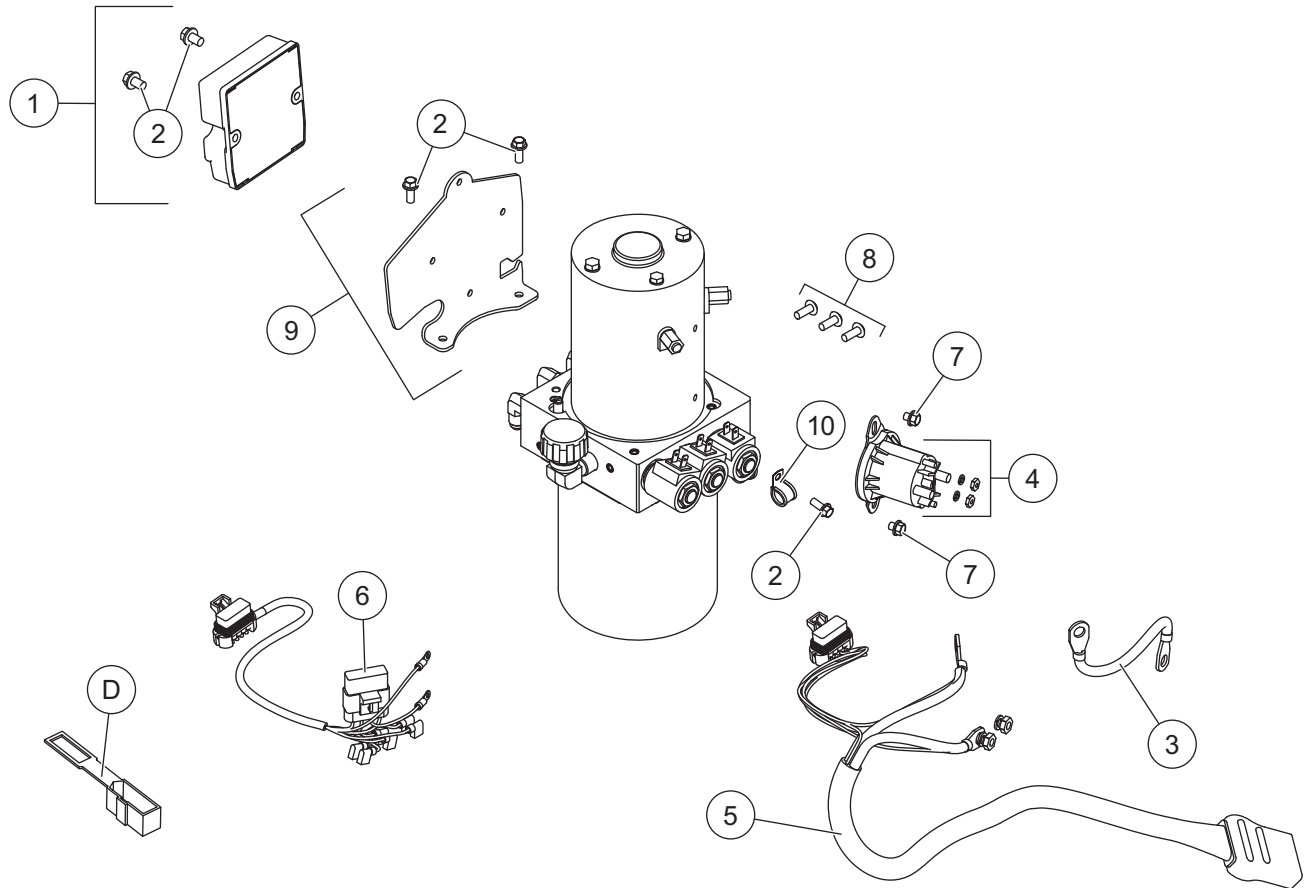


Hoses and Fittings							
Item	Part	Qty	Description	Item	Part	Qty	Description
1	56832	1	Hose, 1/4 x 8 w/F JIC Ends	4	56725	5	Elbow, 90° -6 M JIC/-6 M ORB
2	49501	1	Hose, 3/8 x 36 w/F JIC Ends	5	49526	1	Connector, Short -6 M JIC/ -6 M ORB
3	44348	1	Hose, 3/8 x 42 w/F JIC Ends				
F = Female				M = Male			

* Central hydraulics only, qty 1.

† Not used for central hydraulics.

Electrical Components



Plow-Side Electrical Components							
Item	Part	Qty	Description	Item	Part	Qty	Description
1	49567	1	Plow Module, 2-Port	7	29099	2	1/4-20 x 1/4 Hex Washer-Head Thread-Rolling Screw
2	44355	5	1/4-20 x 5/8 Hex Washer-Head Thread-Rolling Screw	8	98043	3	3/8-16 x 1 Button Cap Screw
3	29071	1	Cable Assembly 8"	9	42287	1	Bracket – Plow Module
4	42901	1	Motor Relay Kit FLEET FLEX System	10	49522	1	Clamp Loop Kit
5	42015	1	Snowplow Battery Cable	ns	56099	1	Dielectric Grease
6	28581-1	1	Harness Plow Control, 3-Solenoid				

ns = not shown

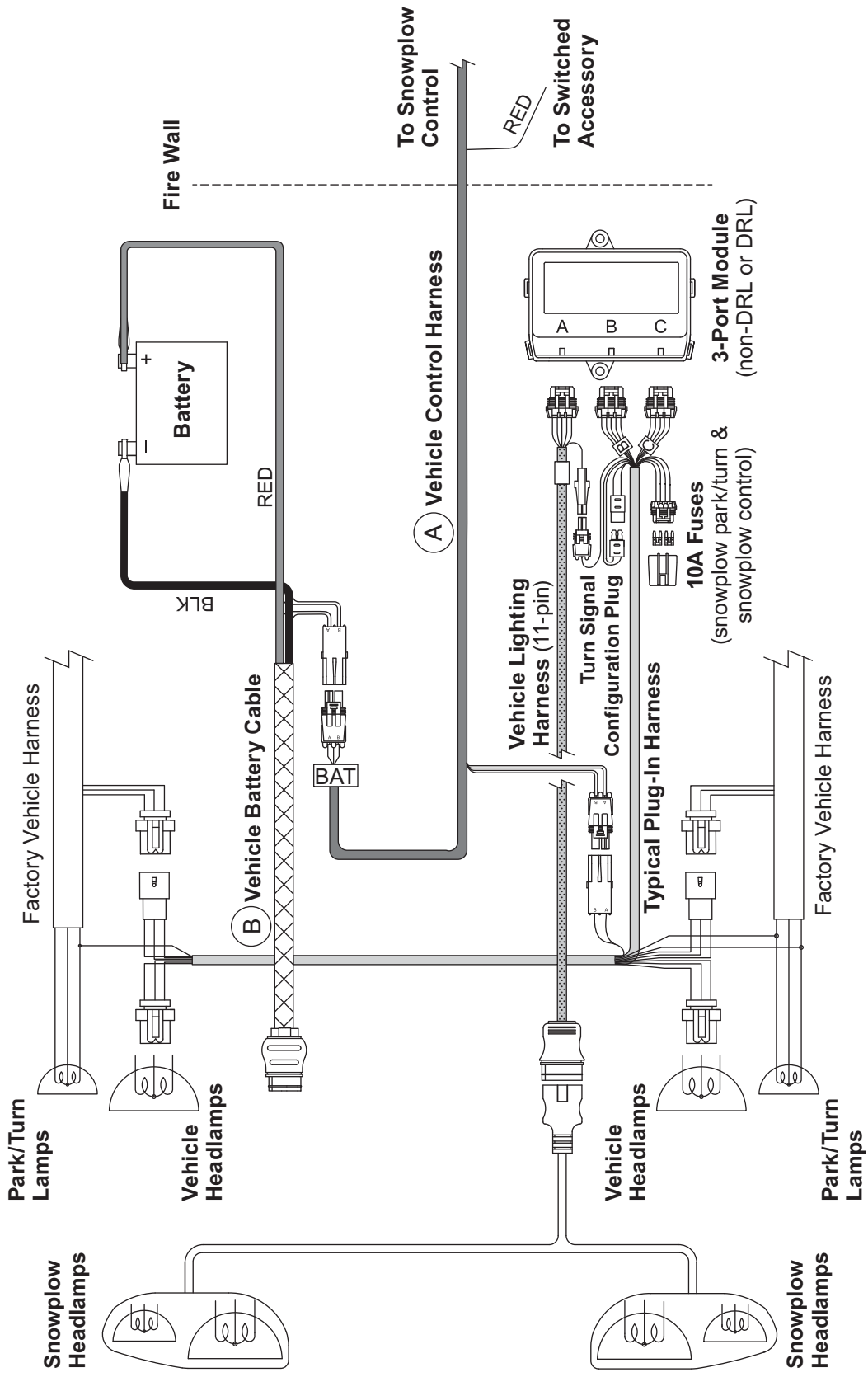
Vehicle-Side Electrical Components (diagrams on following pages)							
A*†	28587	1	Vehicle Control Harness	D	61548K	1	Plug Cover (shown with plow-side electrical components)
B*†	42014	1	Vehicle Battery Cable				
C**	26498	1	Vehicle Control Harness – Central Hydraulics				

* For diagram, see Vehicle-Side Harness Diagram – 3-Port, 2-Plug System.

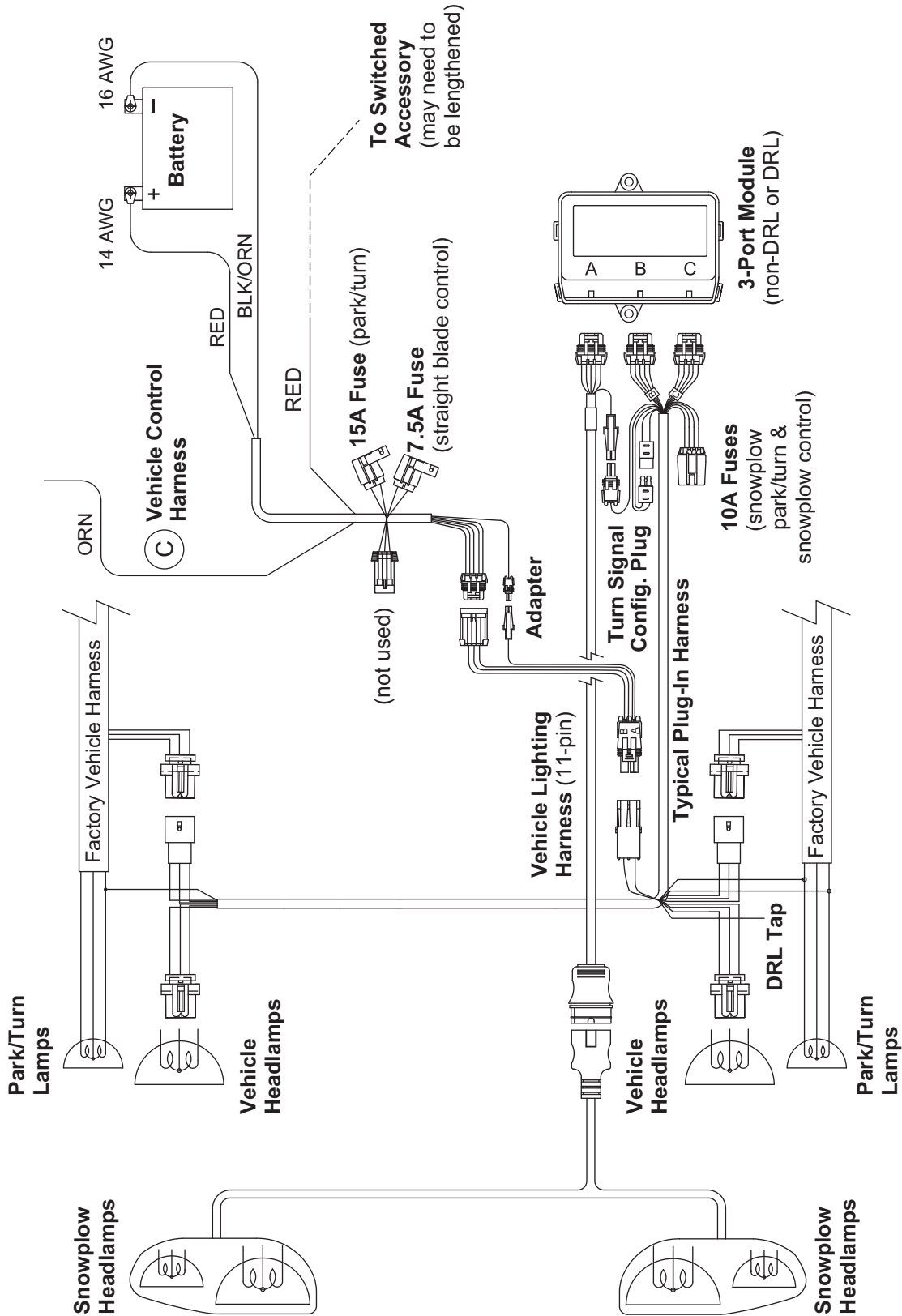
** For diagram, see Vehicle-Side Harness Diagram – Central Hydraulics (p. 19).

† Not used for central hydraulics.

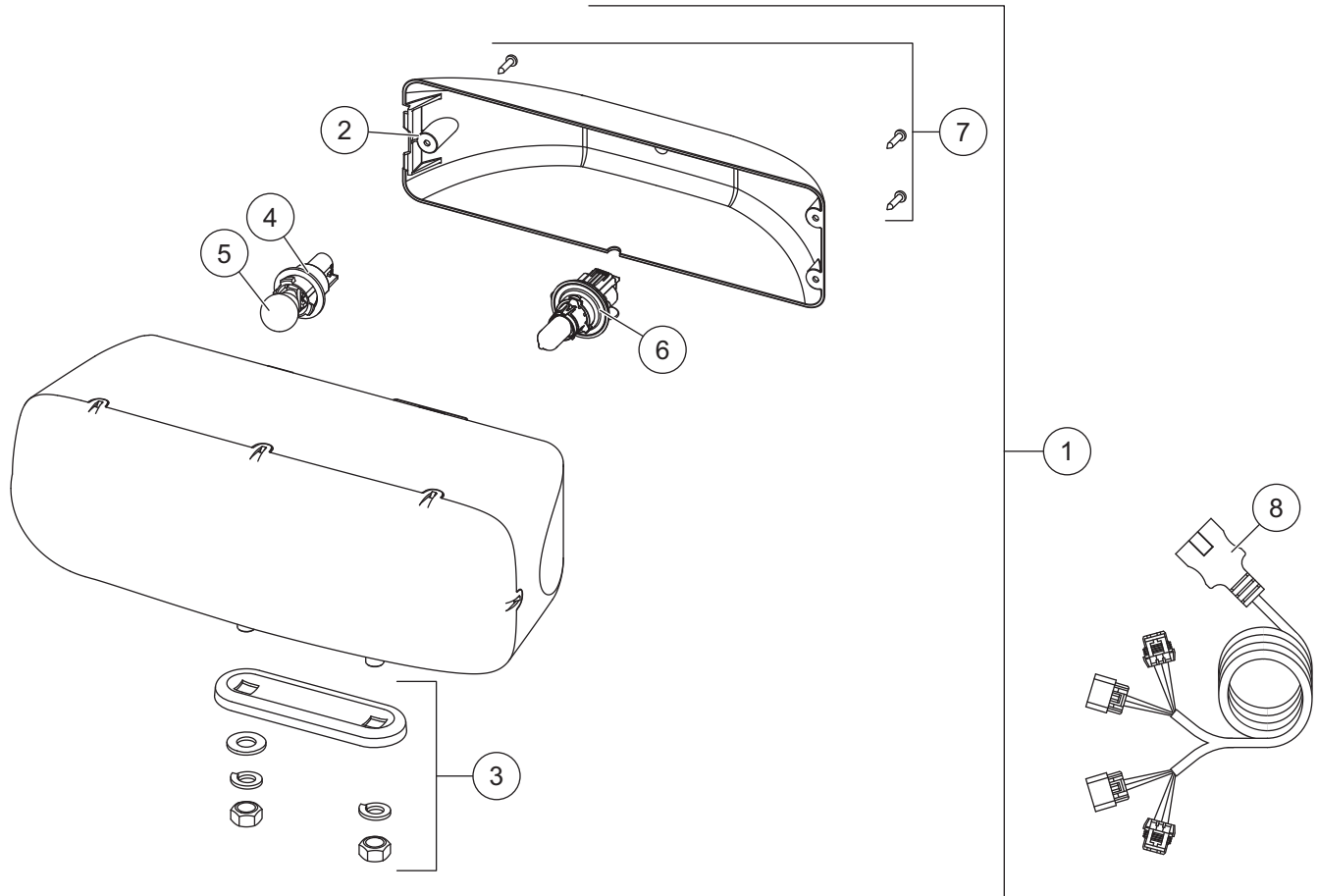
Vehicle-Side Harness Diagram—3-Port, 2-Plug System



Vehicle-Side Harness Diagram—Central Hydraulics



Headlamp Kit



28800-1 Headlamp Kit (pair)							
Item	Part	Qty	Description	Item	Part	Qty	Description
1	28802-1	1	Headlamp Service Kit – PS	5		2	Park/Turn Bulb (trade no. 4157NAK)
ns	28801-1	1	Headlamp Service Kit – DS	6	28806	2	Headlamp Bulb Service Kit H13
2	28803-1	2	Rear Cover Kit (fits 2- or 3-screw)	7	28808-1	2	Cover Screws Service Kit (3 screws)
3	28804	2	Mounting Hardware Kit	8	28213K	1	Harness Service Kit
4	28805	2	Park/Turn Socket Service Kit				

ns = not shown

Copyright © 2021 Douglas Dynamics, LLC. All rights reserved. This material may not be reproduced or copied, in whole or in part, in any printed, mechanical, electronic, film, or other distribution and storage media, without the written consent of Fisher Engineering. Authorization to photocopy items for internal or personal use by Fisher Engineering outlets or snowplow owner is granted.

Fisher Engineering reserves the right under its product improvement policy to change construction or design details and furnish equipment when so altered without reference to illustrations or specifications used. Fisher Engineering or the vehicle manufacturer may require or recommend optional equipment for snow removal. Do not exceed vehicle ratings with a snowplow. Fisher Engineering offers a limited warranty for all snowplows and accessories. See separately printed page for this important information. The following are registered (®) or unregistered (™) trademarks of Douglas Dynamics, LLC: FISHER®, HD2™, HDX™, Insta-Act®, Minute Mount® 2, SECURITY GUARD™, SnoFoil®, STORM GUARD™.

Printed in U.S.A.