



STANDARD PLOW Snowplow

Steel Blades 60120, 60125, 60018

Poly Blade 62110

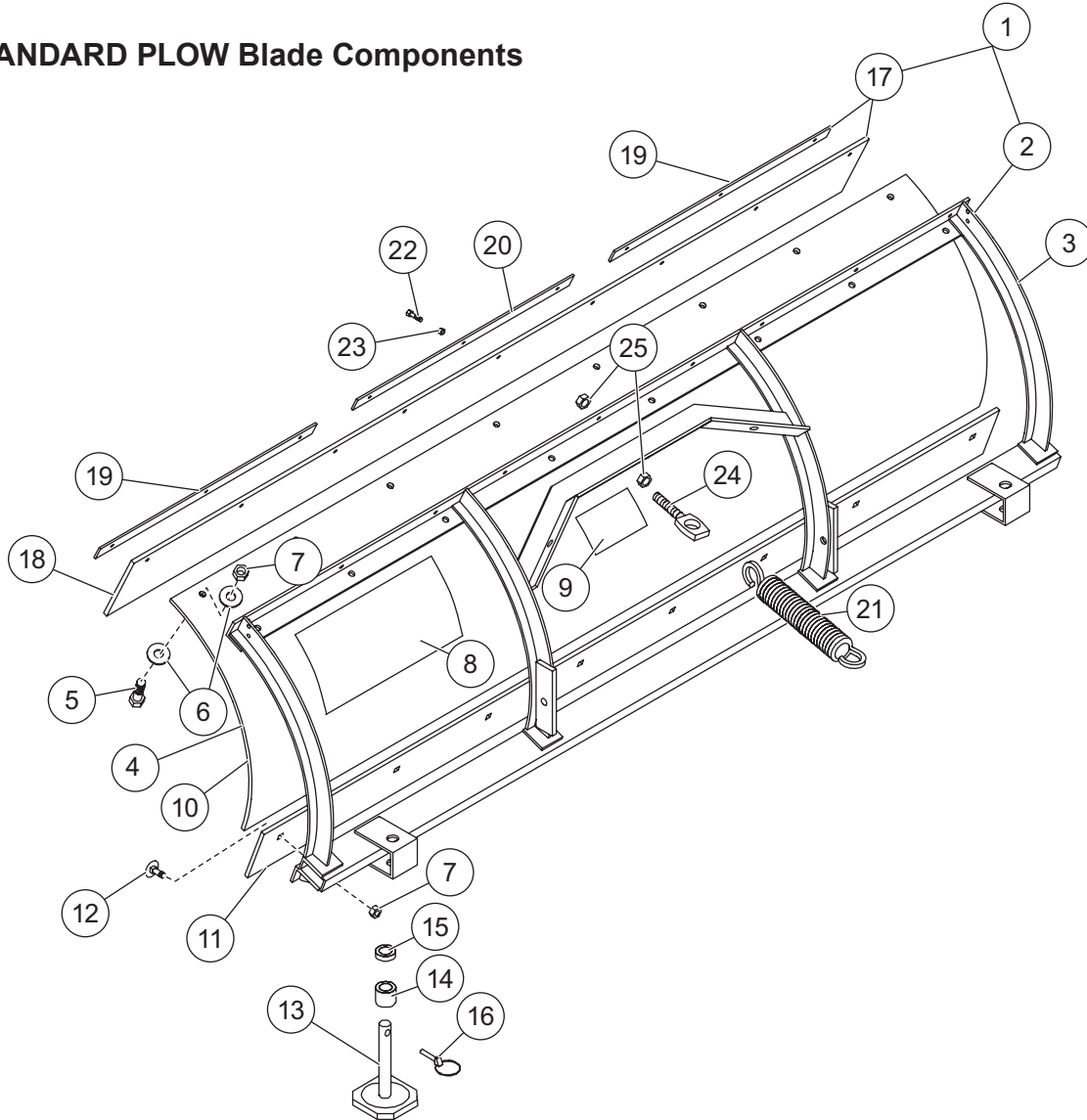
A,Q&L 63560

Parts List



POLY STANDARD PLOW BLADE COMPONENTS

Poly STANDARD PLOW Blade Components



Poly STANDARD PLOW Blade Components

Item	Part	Qty	Description	Item	Part	Qty	Description
1	62110	1	7-1/2' Blade (62292 and 62311)	14	60045	1	Spacer
2	62292	1	7-1/2' Blade Assy (w/o 62311)	15	91109	26	1" Flat Washer, Special
3	62111	1	7-1/2' Blade Frame	16	93010K	1	7/16 x 1-3/4 Linchpin (pkg of 2)
4	49313	1	7-1/2' Moldboard Kit	17	62311	1	7-1/2' Rubber Snow Deflector Assy
5	90101	8	1/2-13 x 1-3/4 Hex Cap Screw G5	18	62149	1	7-1/2' Rubber Snow Deflector
6	91105	16	1/2 Flat Washer Type A Wide	19	64803	2	Retainer, Outer – 7-1/2'
7	91335	8	1/2-13 Hex Locknut GB	20	64802	1	Retainer, Inner
8	67796	1	Label – UltraMount® Attach/Detach	21	23039	1	Trip Spring
9	59900	1	Label – Information, Warning	22	90021	12	5/16-18 x 1-1/4 Hex Cap Screw G5
10	44450	1	Label – Identity, WESTERN	23	91332	12	5/16-18 Hex Locknut
11	49312	1	7-1/2' Cutting Edge Assy	24	66421	1	5/8-11 x 4 Eyebolt Kit
12	90238	8	1/2-13 x 1-3/4 Carriage Bolt G8	25	91416	2	5/8-11 Hex Nut
13	49067	2	HD Disc Shoe Assembly	ns	28548	1	Blade Label Kit, UltraMount
	49071*	2	HD Disc Shoe Assembly				

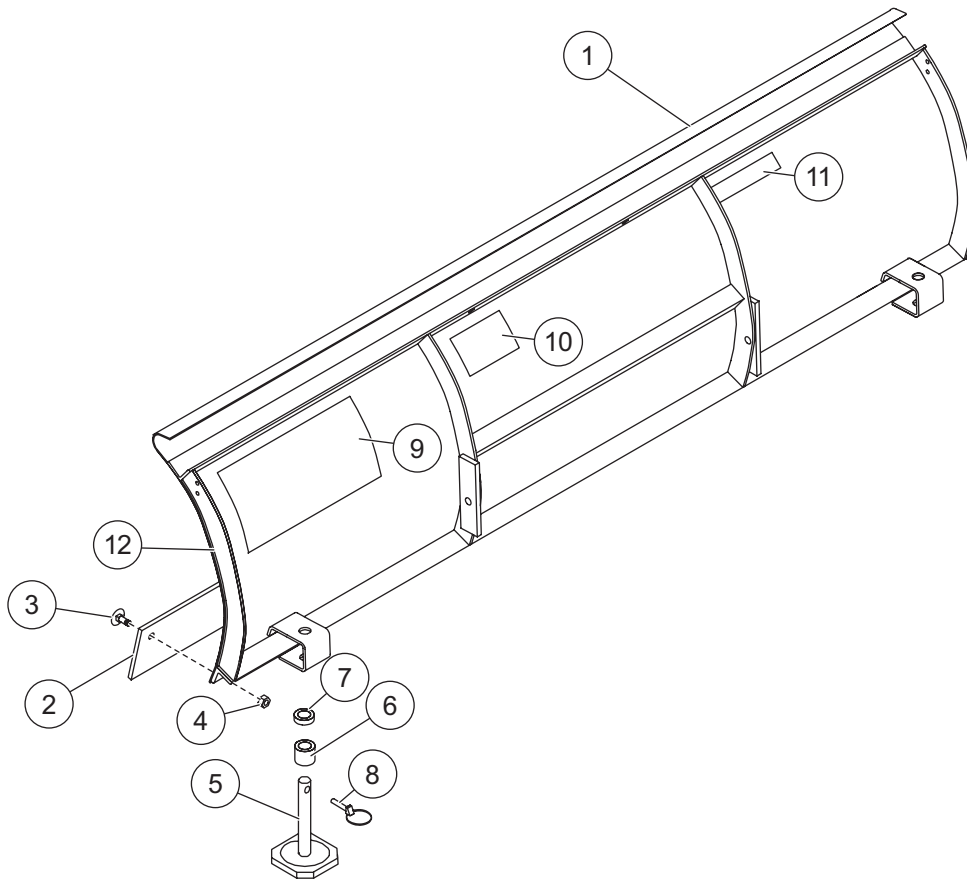
ns = not shown

G = Grade

* Optional service part

STEEL STANDARD PLOW BLADE COMPONENTS

Steel STANDARD PLOW Blade Components



Steel STANDARD PLOW Blade Components							
Item	Part	Qty	Description	Item	Part	Qty	Description
1	60120	1	6-1/2' Blade Assy	6	60045	1	Spacer
	60125	1	7' Blade Assy	7	91109	26	1" Flat Washer, Special
	60018	1	7-1/2' Blade Assy	8	93010K	1	7/16 x 1-3/4 Linchpin (pkg of 2)
2	49066	1	6-1/2' Cutting Edge Assy	9	67796	1	Label – UltraMount® Attach/Detach
	49070	1	7' Cutting Edge Assy	10	59900	1	Label – Information (Warning)
	49076	1	7-1/2' Cutting Edge Assy	11	28404	1	Label – Identity, ULTRAFINISH™
3	90238	8	1/2-13 x 1-3/4 Carriage Bolt G8	12	44450	1	Label – Identity, WESTERN
4	91335	8	1/2-13 Hex Locknut GB	ns	28548	1	Blade Label Kit, UltraMount
5	49067	2	HD Disc Shoe Assembly				
	49071*	2	HD Disc Shoe Assembly				

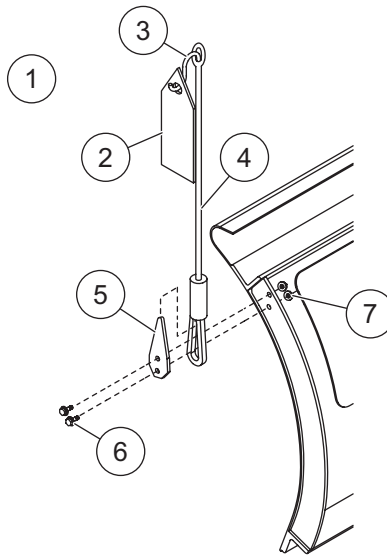
ns = not shown

G = Grade

* Optional service part

BLADE GUIDE COMPONENTS

Blade Guide Components

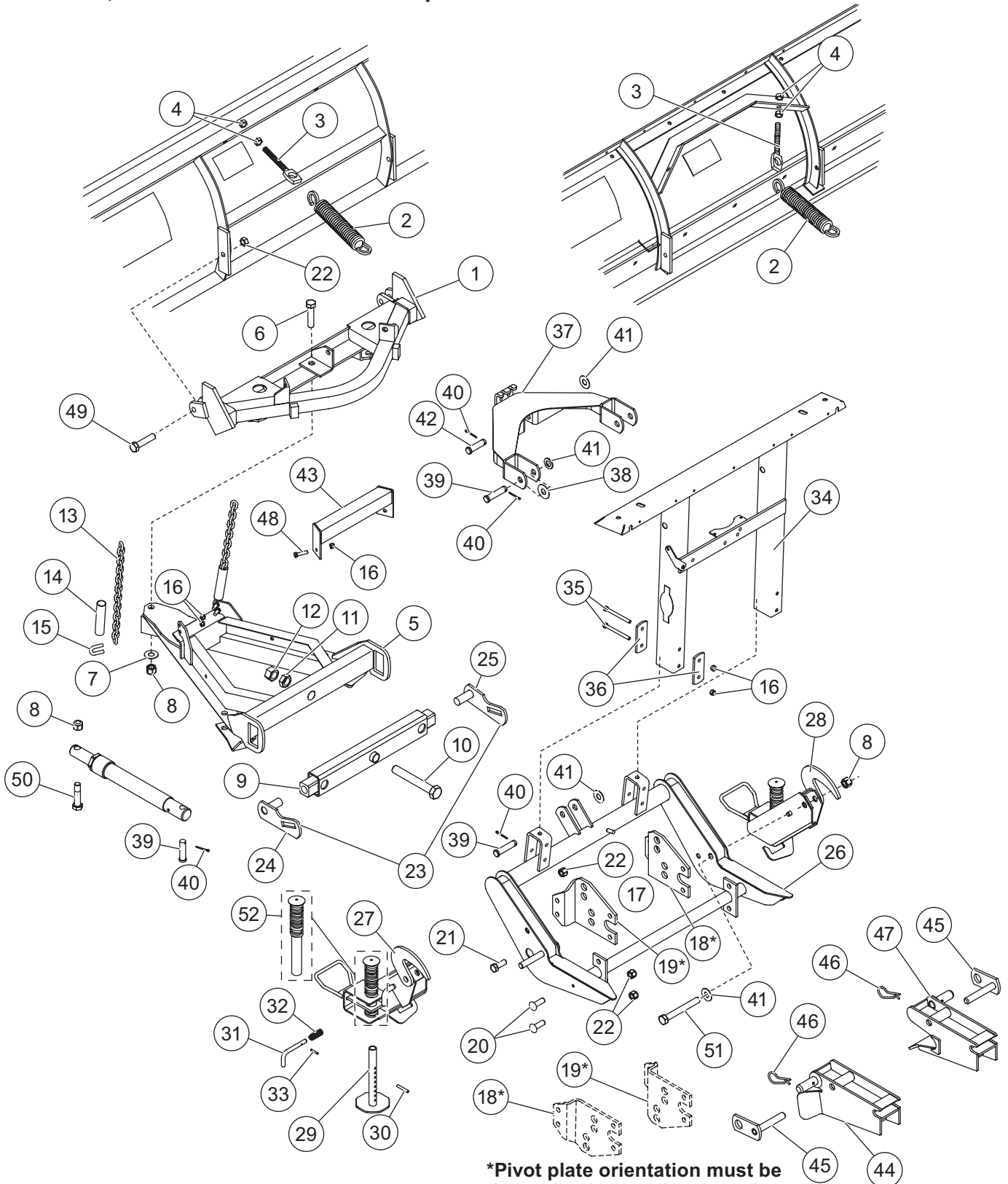


59700 Blade Guide Kit (Pair)							
Item	Part	Qty	Description	Item	Part	Qty	Description
1	59697	2	Blade Guide Rod, S-Hook & Flag	5	59946	2	Clamp
2	59694K	1	Blade Guide Flag	6	68494	4	5/16-18 x 1 Hex Cap Screw
3	59696	1	S-Hook	7	91332	4	5/16-18 Hex Locknut GB
4	59691	1	Blade Guide Rod				

G = Grade

A,Q&L COMPONENTS

A-Frame, Quadrant & Lift Frame Components



***Pivot plate orientation must be determined using the procedure in the Installation Instructions.**

A,Q&L COMPONENTS

A-Frame, Quadrant & Lift Frame Components							
Item	Part	Qty	Description	Item	Part	Qty	Description
1	66887	1	Quadrant	28	67846	1	Stand Assembly, PS
2	23039	2	Trip Spring	29	67847	2	Stand Shoe Kit
3	66421	2	5/8-11 x 4 Eyebolt Kit	30	67635	1	1/4 x 2 Roll Pin
4	91416	2	5/8-11 Hex Nut G5	31	67844	1	Stand Lock Pin Kit
5	66888	1	A-Frame	32	67726	1	Spring, Lock Pin, Stand
6	66889	1	Nose Plate Bolt Kit	33	67700	1	3/16 x 1-1/4 Roll Pin
7	63575	1	3/4 SAE Structural Washer	34	67853-1	1	Upper Lift Frame Kit
8	91338	1	3/4-10 Hex Locknut GB	35		4	3/8-16 x 4 Hex Cap Screw G8
9	67842	1	Pivot Bar Kit	36		4	Plate – Upper Lift Frame
10	67855	1	Pivot Bolt Kit	37	67850-1	1	Lift Arm Kit
11	67748	1	1-8 Hex Jam Nut G5	38	67727	2	Washer, Special
12	91340	1	1-8 Hex Locknut GB	39	93063K	2	3/4 x 3-1/4 Clevis Pin Kit
13	49033	2	Replacement Chain Assembly	40	91911	1	5/32 x 1-1/2 Cotter Pin
14	65508	1	Plastic Tube	41	91147	1	3/4 Flat Washer, Type A
15	90453	1	3/8-16 x 1-1/2 U-Bolt G5	42	64617	1	3/4 x 3 Clevis Pin Kit
16	91333	2	3/8-16 Hex Locknut GB	43	67676	1	Stacking Stop
17	67843	1	Pivot Plate Kit	44	67858	1	Receiver Kit, DS
18	67707	1	Plate, Pivot, A	45	67665	1	Receiver Pin
19	67708	1	Plate, Pivot, B	46	91965K	1	5/32 Hairpin Cotter
20	67949	4	5/8-11 x 2 Carriage Bolt G5	47	67859	1	Receiver Kit, PS
21	90127	2	5/8-11 x 1-1/2 Hex Cap Screw G5	48	90040	2	3/8-16 x 1-1/4 Hex Cap Screw G5
22	91337	6	5/8-11 Hex Locknut GB	49	90132	2	5/8-11 x 3 Hex Cap Screw G5
23	66812	1	Pivot Pin Kit	50	90161	2	3/4-10 x 4 Hex Cap Screw G5
24	67974	1	Pivot Pin, DS	51	66451	2	3/4-10 x 6 Hex Cap Screw G5
25	67977	1	Pivot Pin, PS	52	48523	1	Plunger w/ Spring
26	67903	1	Lower Lift Frame	ns	94677	1	Parts Bag
27	67845	1	Stand Assembly, DS				
			ns = not shown				
				G = Grade			



Western Products
PO Box 245038
Milwaukee, WI 53224-9538
www.westernplows.com

 A DIVISION OF DOUGLAS DYNAMICS, LLC

Copyright © 2014 Douglas Dynamics, LLC. All rights reserved. This material may not be reproduced or copied, in whole or in part, in any printed, mechanical, electronic, film or other distribution and storage media, without the written consent of Western Products. Authorization to photocopy items for internal or personal use by Western Products outlets or snowplow owner is granted.

Western Products reserves the right under its product improvement policy to change construction or design details and furnish equipment when so altered without reference to illustrations or specifications used. Western Products or the vehicle manufacturer may require or recommend optional equipment for snow removal. Do not exceed vehicle ratings with a snowplow. Western Products offers a limited warranty for all snowplows and accessories. See separately printed page for this important information. The following are registered (®) or unregistered (™) trademarks of Douglas Dynamics, LLC: ULTRAFINISH™, UltraMount®, WESTERN®.

Printed in U.S.A.