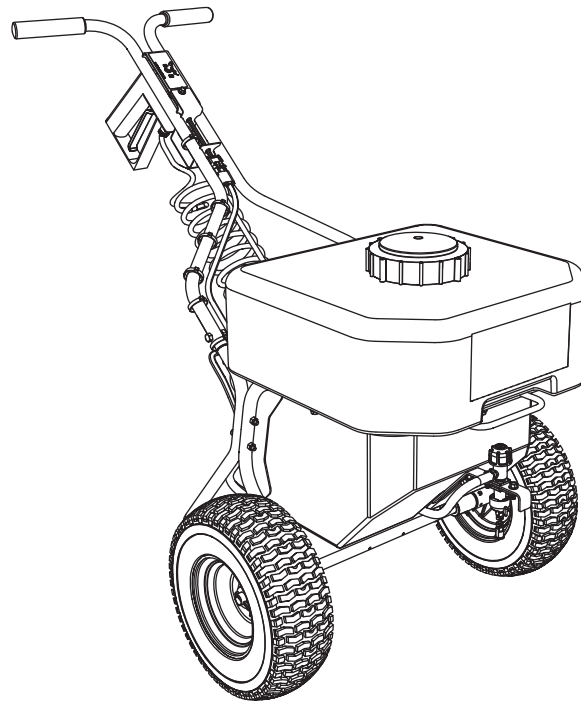




Walk-Behind Sprayer

TL-80 & TL-80SS

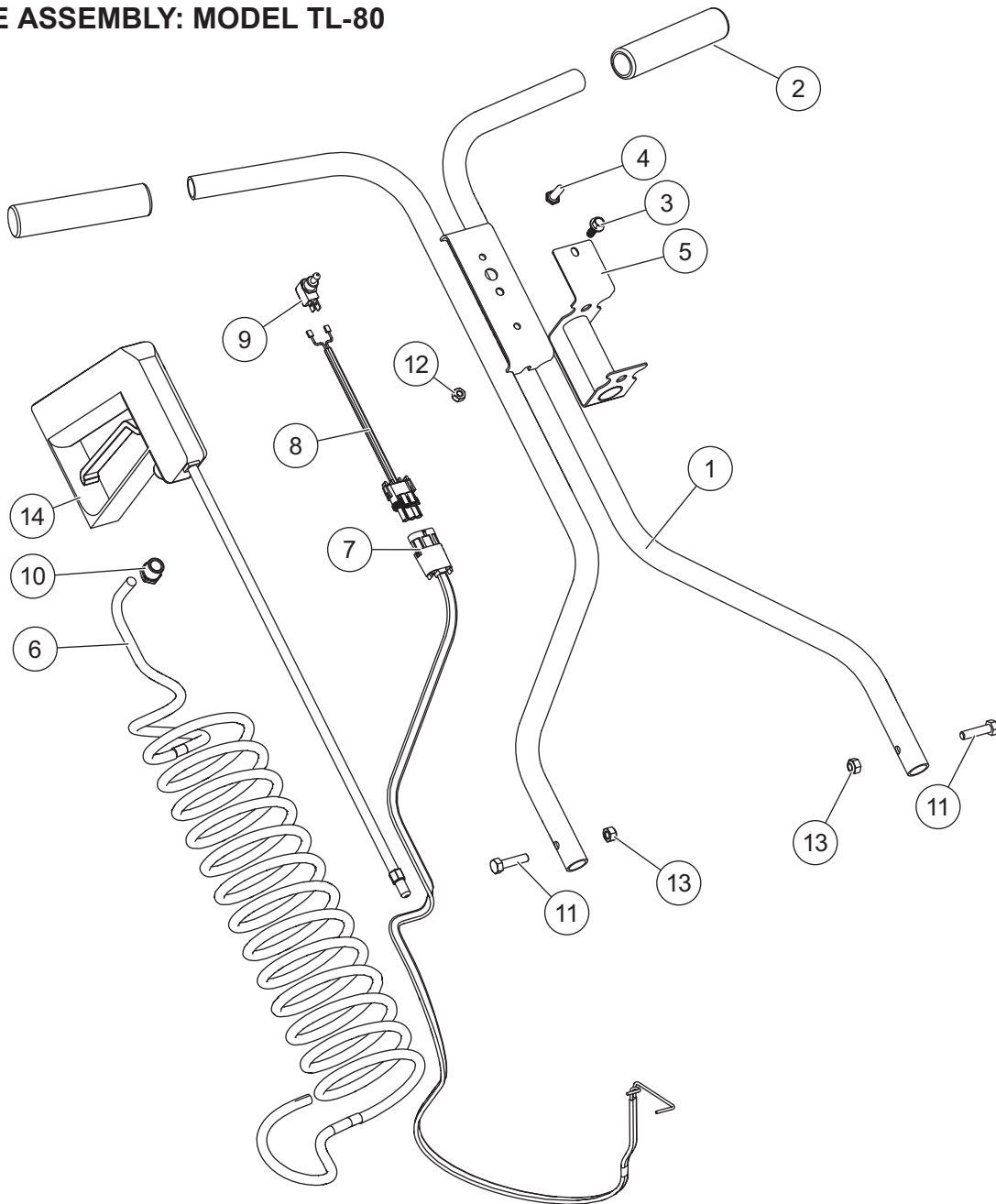
Parts List



This document is for TurfEx® TL-80 and TL-80SS walk-behind sprayers with serial numbers beginning with TG-300099 and higher, or TH-300099 and higher.

TL-80 WALK-BEHIND SPRAYER

HANDLE ASSEMBLY: MODEL TL-80



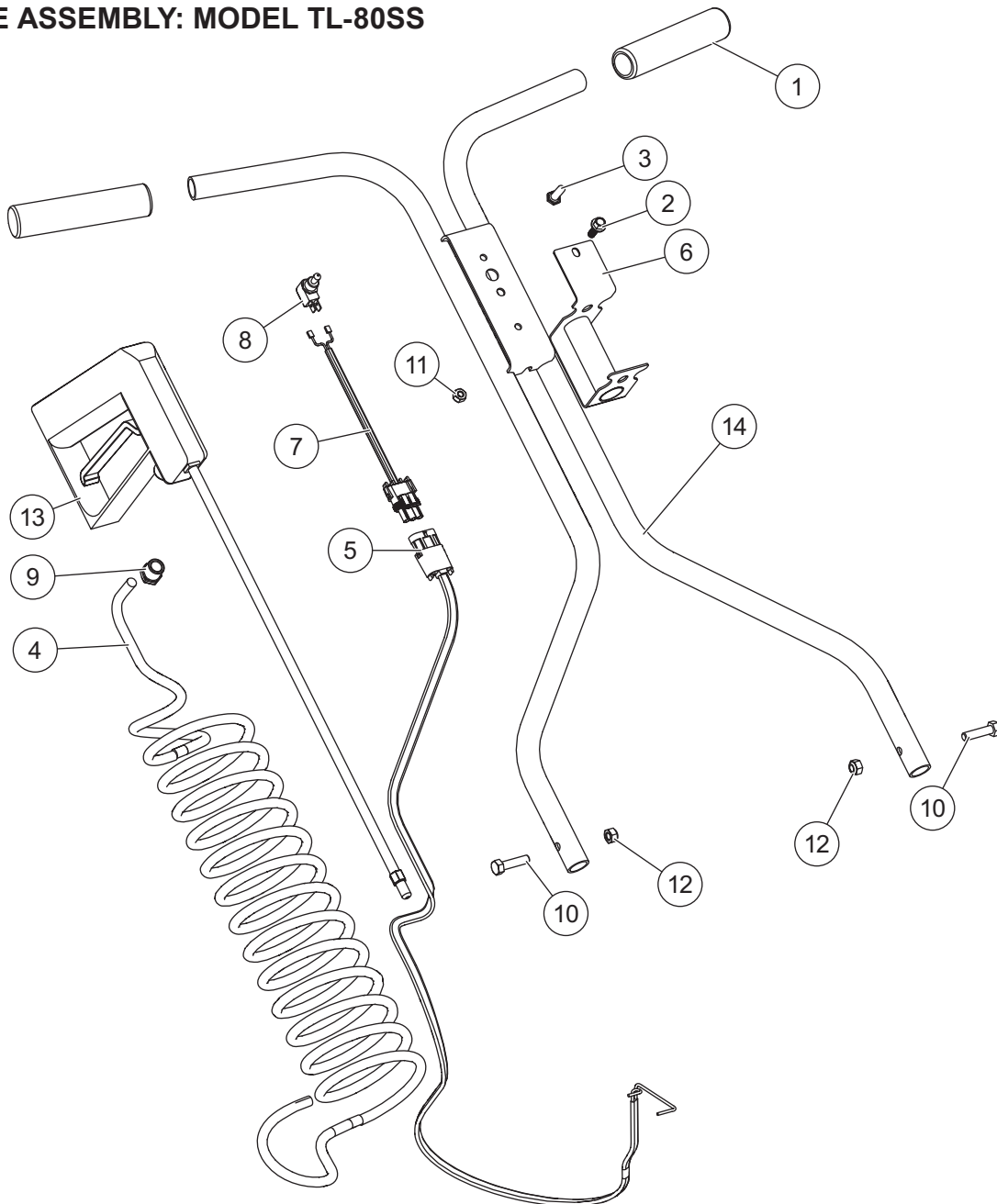
TL-80 Handle Assembly Components

Item	Part	Qty	Description	Item	Part	Qty	Description
1	D5908	1	Handle	8	F50106	1	Switch Harness
2	D5917	2	7/8 x 5-1/2 Handle Grip	9	F50107	1	Switch
3	D6132	1	1/4-20 x 3/4 Serrated Flange Hex Cap Screw SS	10	F50111	1	3/8 x 1/4 Reducing Bushing, Brass
4	D6406	1	Rubber Switch Boot	11	F50112	2	5/16-18 x 1-1/4 Hex Cap Screw SS
5	F50001	1	Wand Holder Bracket	12	T15016	1	1/4-20 Locknut
6	F50008	1	1/4 x 10' Coil Hose	13	T15018	2	5/16-18 Locknut
7	F50016	1	Pump Harness	14	T20307	1	Spot Spray Wand

SS = Stainless Steel

TL-80SS WALK-BEHIND SPRAYER

HANDLE ASSEMBLY: MODEL TL-80SS



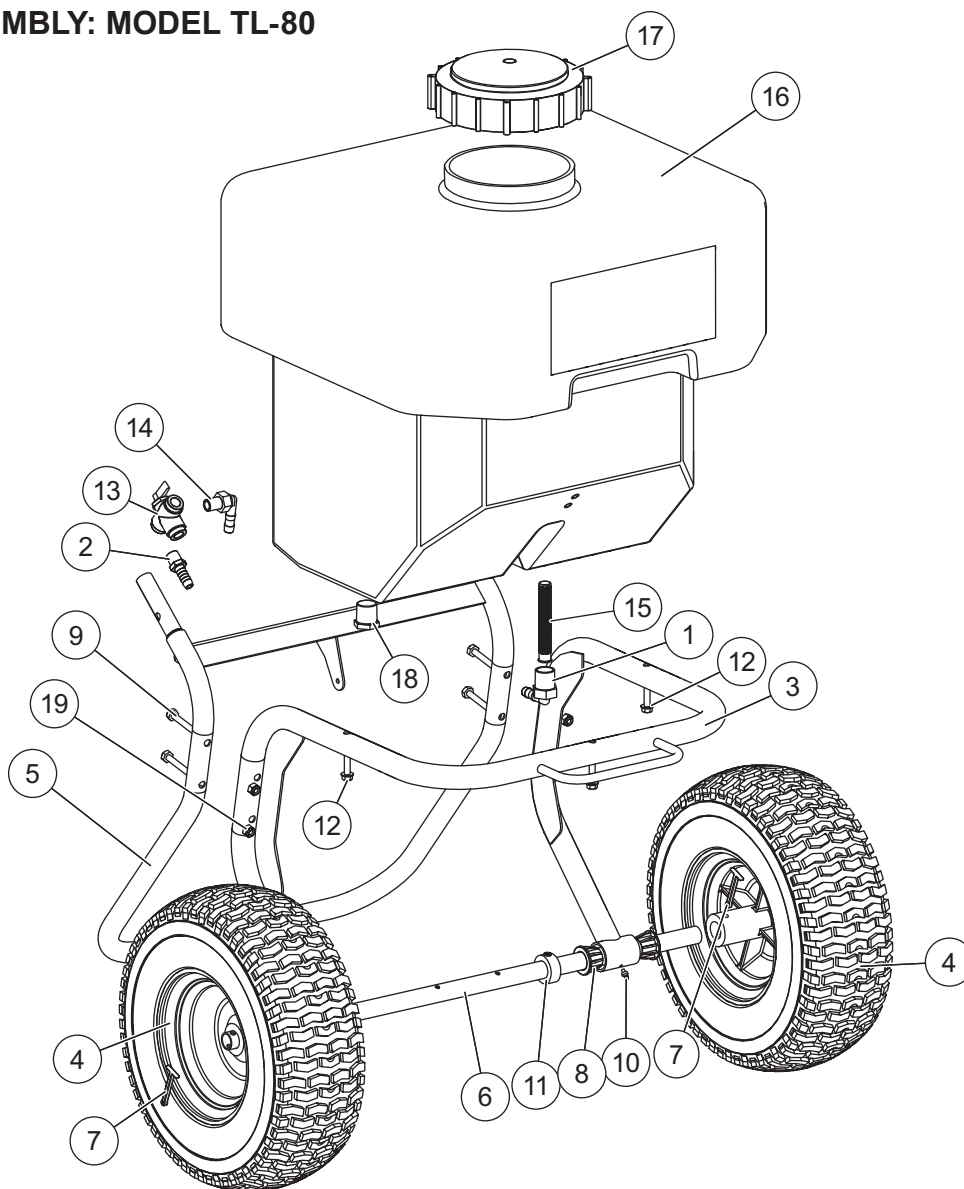
TL-80SS Handle Assembly Components

Item	Part	Qty	Description	Item	Part	Qty	Description
1	D5917	2	Handle Grip	8	F50107	1	Switch
2	D6132	1	1/4-20 x 3/4 Serrated Flange Hex Cap Screw SS	9	F50111	1	3/8 x 1/4 Reducing Bushing, Brass
3	D6406	1	Rubber Switch Boot	10	F50112	2	5/16-18 x 1-1/4 Hex Cap Screw SS
4	F50008	1	1/4 x 10' Coil Hose	11	T15016	1	1/4-20 Locknut
5	F50016	1	Pump Harness	12	T15018	2	5/16-18 Locknut
6	F50020	1	Wand Holder Bracket SS	13	T20307	1	Spot Spray Wand
7	F50106	1	Switch Harness	14	T30153	1	Handle

SS = Stainless Steel

TL-80 WALK-BEHIND SPRAYER

TANK ASSEMBLY: MODEL TL-80



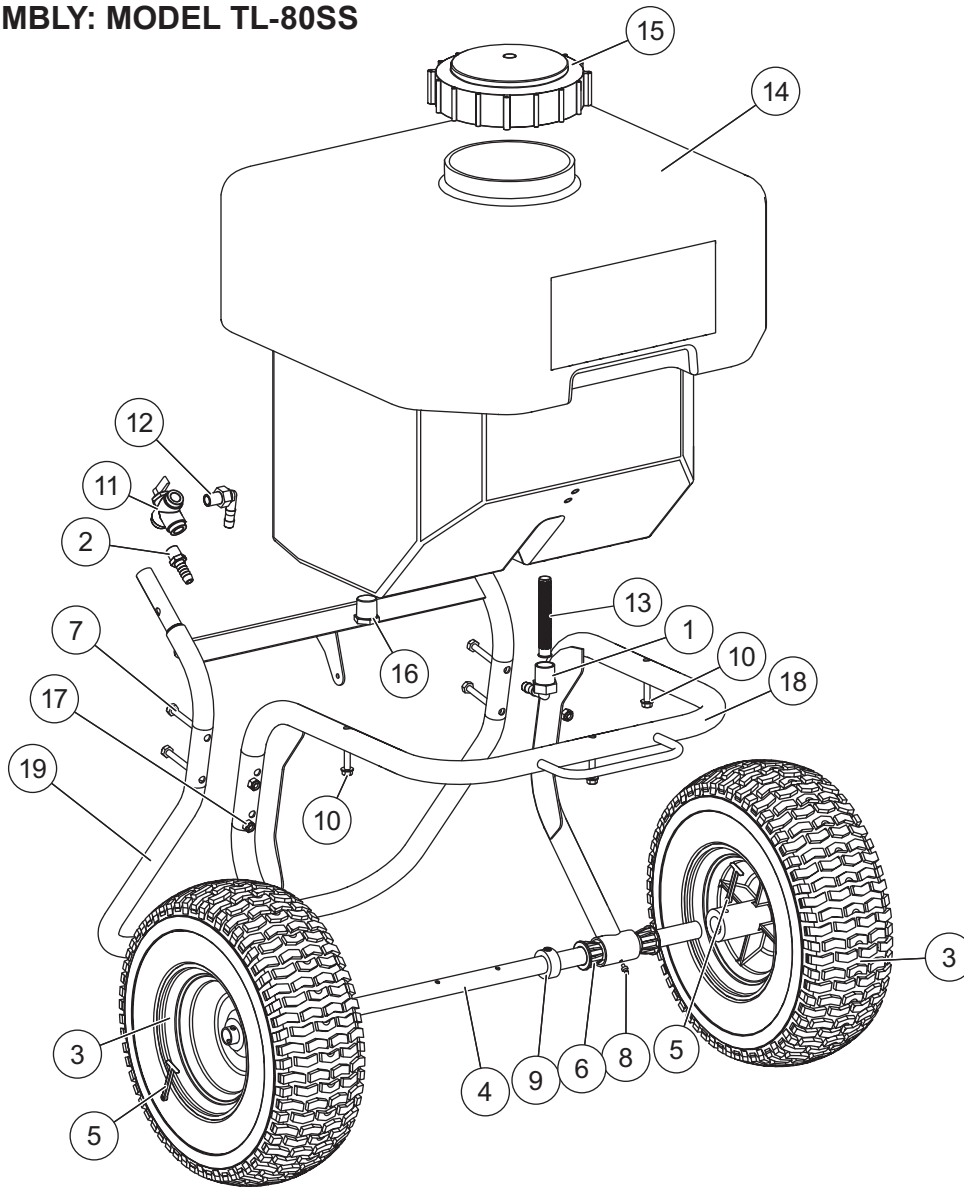
TL-80 Tank Assembly Components

Item	Part	Qty	Description	Item	Part	Qty	Description
1	D5377	1	1/2 Male Thread x 3/8 90° Hose Barb	11	D6024	2	Shaft Collar
2	D5381	1	1/4 Male Thread x 3/8 Hose Barb	12	D6854	3	1/4-20 x 1 Serrated Flange Hex Cap Screw SS
3	D5901	1	Hopper Frame, 2.0 ft ³	13	F50011	1	3-Way Panel Mount Valve
4	D5904	2	13 x 5 Wheel	14	F50013	1	1/4 Male Thread x 3/8 90° Hose Barb
5	D5906	1	Frame Stand	15	F50108	1	Tank Strainer
6	D5915	1	Axle	16	F50288	1	Tank, 12 gal
7	D5919	2	3/16 x 2 Cotter Pin SS	17	F50487	1	Tank Lid, 6" Vented
8	D5923	4	Wheel Bushing	18	F50651	1	1/2 Pipe Plug
9	D5943	4	1/4-20 x 2-1/4 Hex Cap Screw SS	19	T15016	4	1/4-20 Locknut SS
10	D5994	2	Grease Fitting				

SS = Stainless Steel

TL-80SS WALK-BEHIND SPRAYER

TANK ASSEMBLY: MODEL TL-80SS

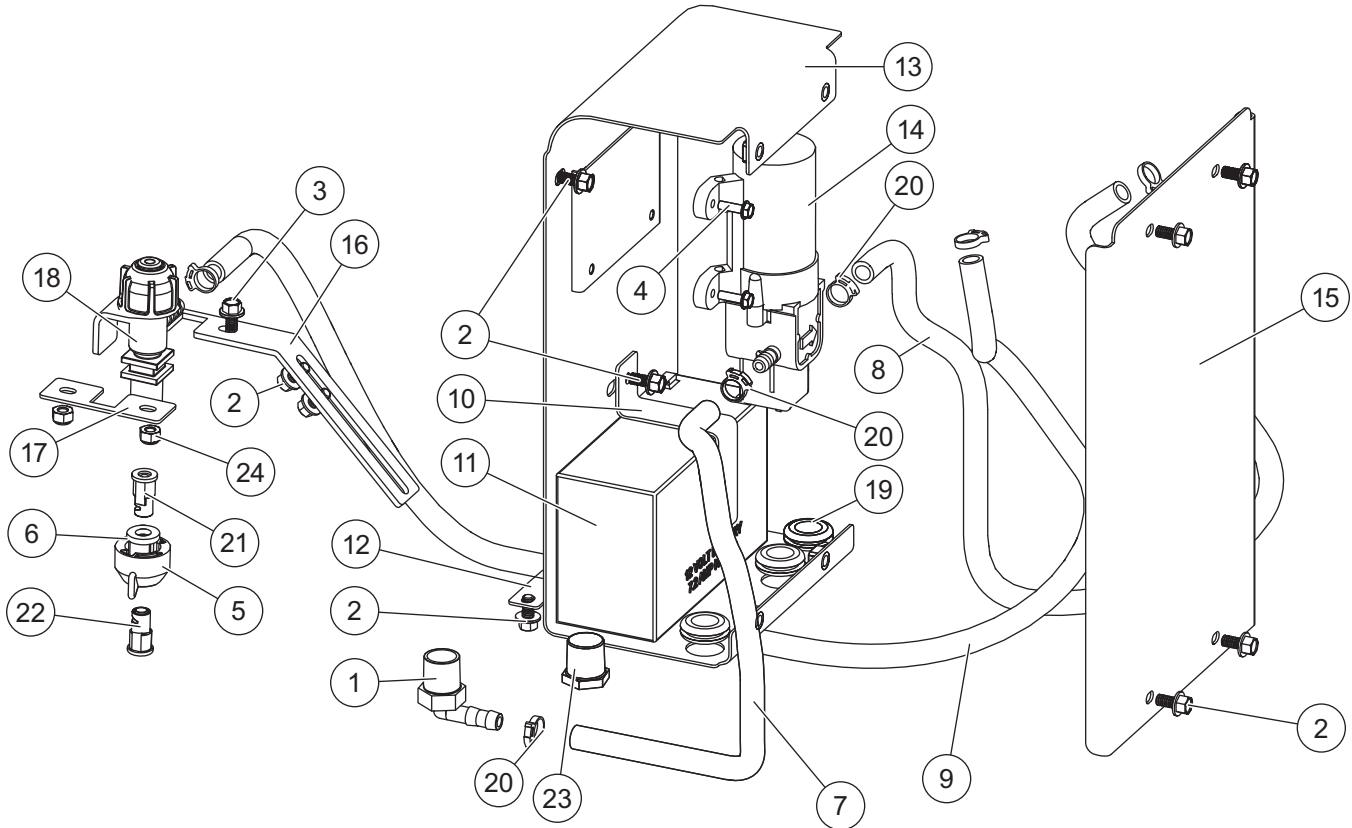


TL-80SS Tank Assembly Components							
Item	Part	Qty	Description	Item	Part	Qty	Description
1	D5377	1	1/2 Male Thread x 3/8 90° Hose Barb	11	F50011	1	3-Way Panel Mount Valve
2	D5381	1	1/4 Male Thread x 3/8 Hose Barb	12	F50013	1	1/4 Male Thread x 3/8 90° Hose Barb
3	D5904	2	13 x 5 Wheel	13	F50108	1	Tank Strainer
4	D5915	1	Axle	14	F50288	1	Tank, 12 gal
5	D5919	2	3/16 x 2 Cotter Pin SS	15	F50487	1	Tank Lid, 6" Vented
6	D5923	4	Wheel Bushing	16	F50651	1	1/2 Pipe Plug
7	D5943	4	1/4-20 x 2-1/4 Hex Cap Screw SS	17	T15016	4	1/4-20 Locknut SS
8	D5994	2	Grease Fitting	18	T30151	1	Hopper Frame SS
9	D6024	2	Shaft Collar	19	T30152	1	Frame Stand SS
10	D6854	3	1/4-20 x 1 Serrated Flange Hex Cap Screw SS				

SS = Stainless Steel

TL-80 WALK-BEHIND SPRAYER

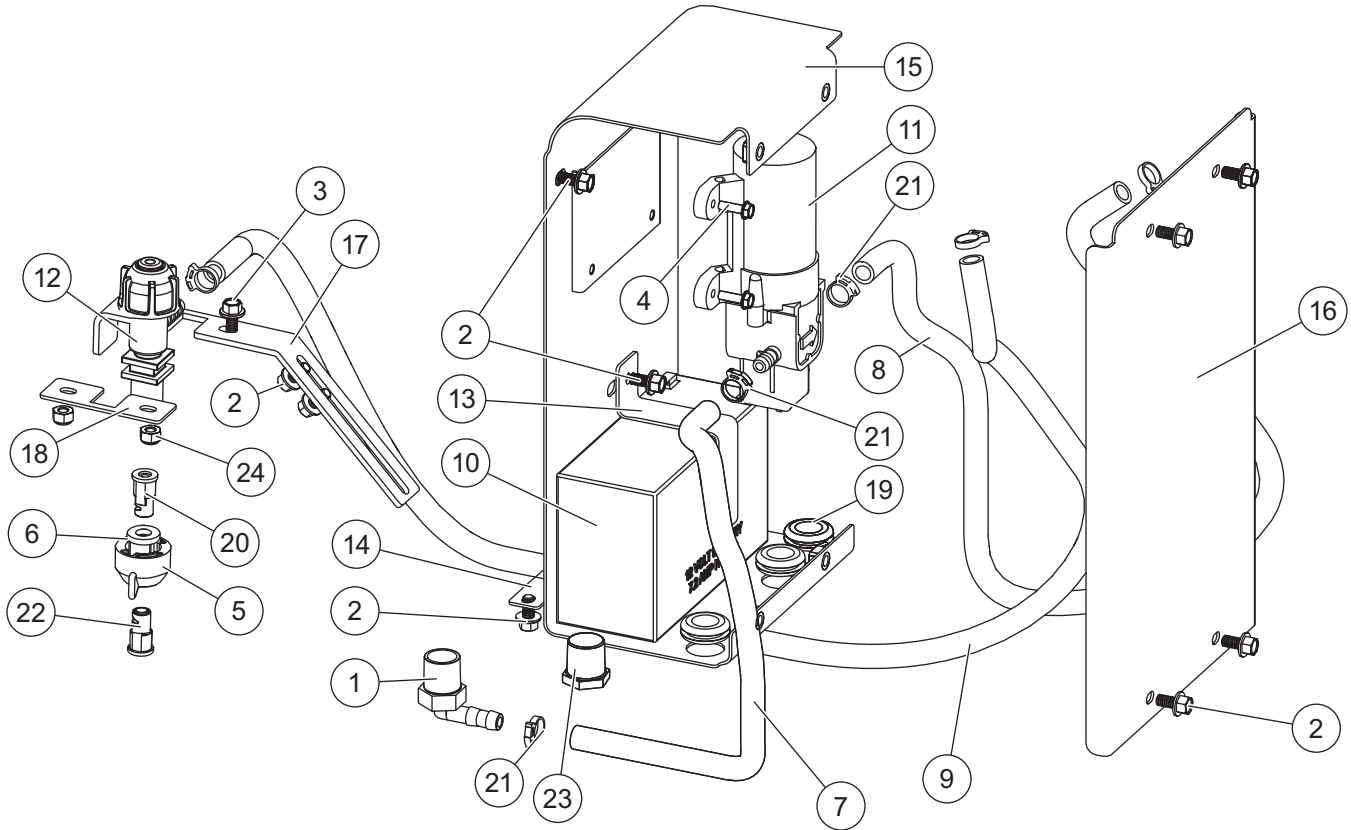
PUMP ASSEMBLY COMPONENTS: MODEL TL-80



TL-80 Pump Assembly Components							
Item	Part	Qty	Description	Item	Part	Qty	Description
1	D5377	1	1/2 Male Thread x 3/8 90° Hose Barb	12	F50003	1	Hose Guide Bracket
2	D6131	11	1/4-20 x 1/2 Serrated Flange Hex Cap Screw SS	13	F50004	1	Pump Mount Enclosure
3	D6132	2	1/4-20 x 3/4 Serrated Flange Hex Cap Screw SS	14	F50005	1	Pump, 1.0 gal/min Diaphragm
4	D6172	4	#10-32 x 5/8 Serrated Flange Hex Cap Screw	15	F50006	1	Pump Enclosure Cover
5	D6957	1	Spray Tip Cap, Green	16	F50007	1	Inside Nozzle Body Bracket
6	D6961	1	Nozzle Seat Gasket	17	F50012	1	Outside Nozzle Body Bracket
7	D6988	1	3/8 Hose - 16.5"	18	F50015	1	Nozzle Body
8	D6988	1	3/8 Hose - 30"	19	F50109	3	5/8 Rubber Grommet
9	D6988	1	3/8 Hose - 40"	20	F50145	6	3/8 Hose Clamp
10	F50000	1	Hose Guide	21	F50461	1	Spray Nozzle, 0.8 gal/min
11	F50002	1	Pump Enclosure	22	F50136	1	Spray Nozzle, 1.5 gal/min
				23	F50651	1	1/2 Pipe Plug
				24	T15016	2	1/4-20 Locknut
				ns	F50078	1	Battery Charger, 12V 500mA
ns = not shown				SS = Stainless Steel			

TL-80SS WALK-BEHIND SPRAYER

PUMP ASSEMBLY COMPONENTS: MODEL TL-80SS



TL-80SS Pump Assembly Components							
Item	Part	Qty	Description	Item	Part	Qty	Description
1	D5377	1	1/2 Male Thread x 3/8 90° Hose Barb	12	F50015	1	Nozzle Body
2	D6131	11	1/4-20 x 1/2 Serrated Flange Hex Cap Screw SS	13	F50019	1	Battery Bracket SS
3	D6132	2	1/4-20 x 3/4 Serrated Flange Hex Cap Screw SS	14	F50021	1	Hose Guide Bracket SS
4	D6172	4	#10-32 x 5/8 Serrated Flange Hex Cap Screw	15	F50022	1	Pump Enclosure SS
5	D6957	1	Spray Tip Cap, Green	16	F50023	1	Pump Enclosure Cover SS
6	D6961	1	Nozzle Seat Gasket	17	F50024	1	Inside Nozzle Body Bracket SS
7	D6988	1	3/8 Hose - 16.5"	18	F50025	1	Outside Nozzle Body Bracket SS
8	D6988	1	3/8 Hose - 30"	19	F50109	3	5/8 Rubber Grommet
9	D6988	1	3/8 Hose - 40"	20	F50461	1	Spray Nozzle, 0.8 gal/min
10	F50002	1	Battery, 7.2A Hour	21	F50145	6	3/8 Hose Clamp
11	F50005	1	Pump, 1.0 gal/min Diaphragm	22	F50136	1	Spray Nozzle, 1.5 gal/min
				23	F50651	1	1/2 Pipe Plug
				24	T15016	2	1/4-20 Locknut
				ns	F50078	1	Battery Charger, 12V 500mA
ns = not shown				SS = Stainless Steel			



TrynEx International
531 Ajax Drive
Madison Heights, MI 48071-2429
www.turfexproducts.com

 A DIVISION OF DOUGLAS DYNAMICS, LLC

Copyright © 2019 Douglas Dynamics, LLC. All rights reserved. This material may not be reproduced or copied, in whole or in part, in any printed, mechanical, electronic, film, or other distribution and storage media, without the written consent of TrynEx International, LLC. Authorization to photocopy items for internal or personal use by TrynEx International outlets or sprayer owner is granted.

TrynEx International reserves the right under its product improvement policy to change construction or design details and furnish equipment when so altered without reference to illustrations or specifications used. TrynEx International may require or recommend optional equipment for sprayers. TrynEx International offers a limited warranty for all sprayers and accessories. See separately printed page for this important information. The following is a registered (®) trademark of Douglas Dynamics, LLC: TurfEx®.

Printed in U.S.A.