



**Fisher Engineering**

50 Gordon Drive, Rockland, Maine 04841-2139 • [www.fisherplows.com](http://www.fisherplows.com)

**29250, 29350,  
97000-1, 97100-1**

October 1, 2019  
Lit. No. 85306, Rev. 02



**Blade and Off-Truck Kit  
MC Series Snowplows  
Including Central Hydraulics Applications  
Parts List**



**MC Series BLADE COMPONENTS** ..... 4

**MC Series OFF-TRUCK KITS** ..... 5

    A-Frame ..... 5

    Headgear ..... 6

    Hydraulic Unit..... 8

    Hoses and Fittings ..... 10

    Lift Ram and Angle Ram Components ..... 11

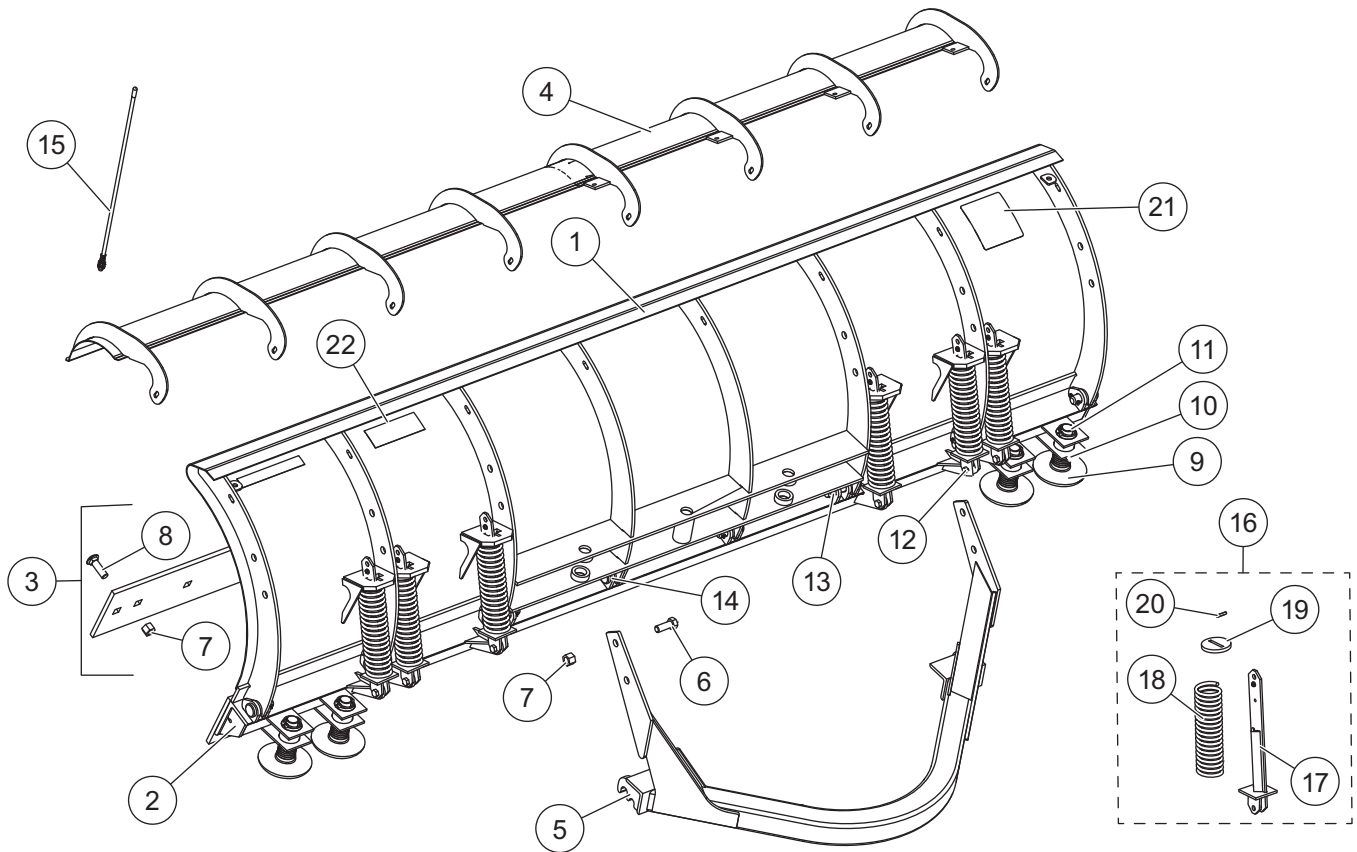
    Electrical Components..... 12

    Vehicle-Side Harness Diagram – 3-Port, 2-Plug System..... 13

    Vehicle-Side Harness Diagram – Central Hydraulics..... 14

    Headlamp Kit ..... 15

Blade Components

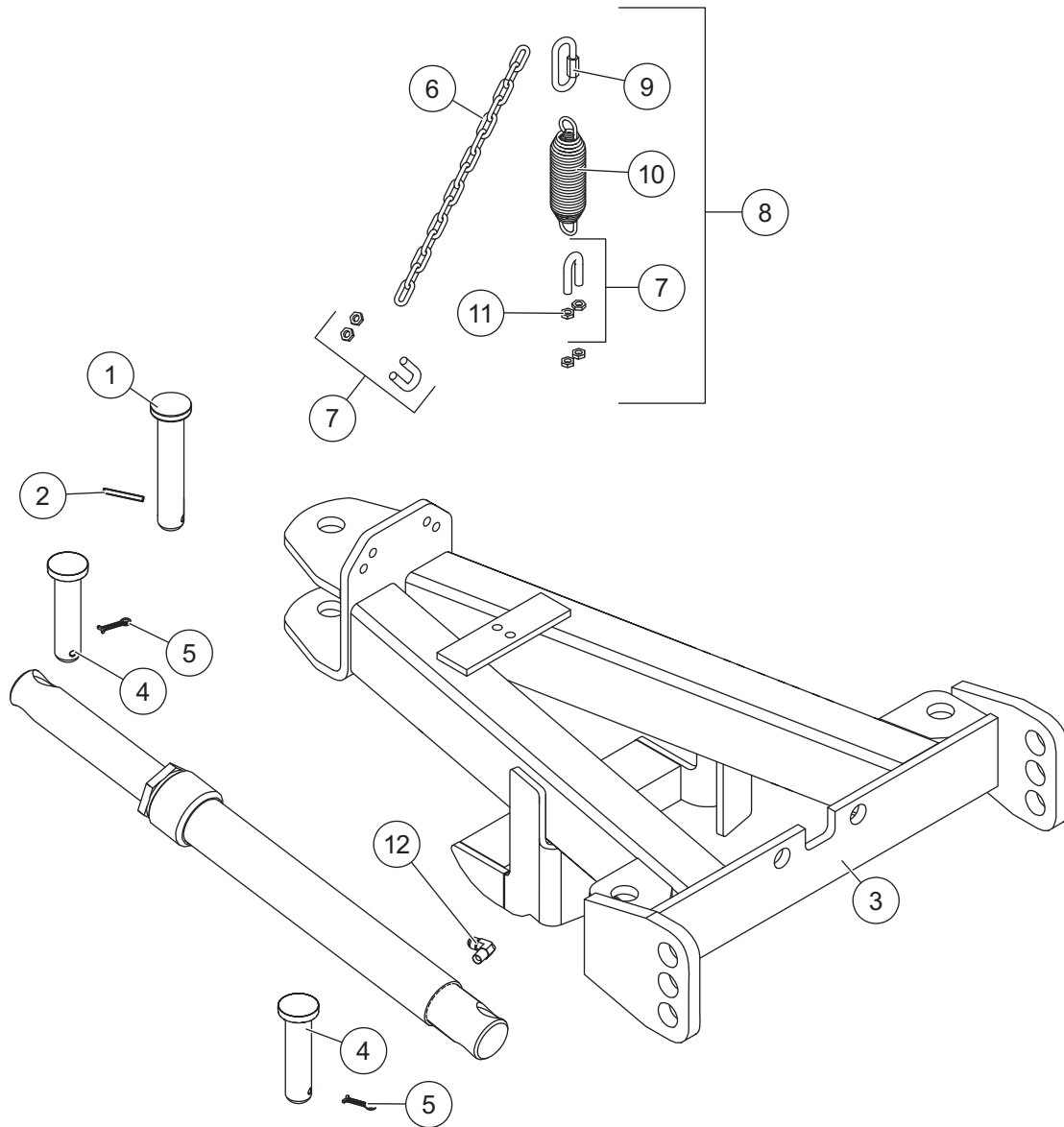


Blade Components									
Item	Part	Description	Qty		Item	Part	Description	Qty	
			9'	10'				9'	10'
1	29250	Blade Assembly MC – 9' Blade	1	n/a	12	40905	Shoulder Bolt with Locknut	4	6
	29350	Blade Assembly MC – 10' Blade	n/a	1	13	7903K	1 x 4 Anchor Pin with Cotter	2	2
2	26949	Base Angle – 9' Blade	1	n/a	14	27241	1 x 2-3/4 Clevis Pin with Cotter	6	6
	26950	Base Angle – 10' Blade	n/a	1	15	27195	Flexible Blade Guide (set of 2)	1	1
3	27362	Steel Cutting Edge Acc. Kit – 9' Blade	1	n/a	16	21452	Removable Spring Assembly	4	6
	27239	Steel Cutting Edge Acc. Kit – 10' Blade	n/a	1	17	21450	Removable Spring Bar	4	6
4	22380	SnoFoil® Accessory – 9' Blade	1	n/a	18	5323	Trip Spring	4	6
	22200	SnoFoil Accessory – 10' Blade	n/a	1	19	20191	Removable Spring Disc	4	6
5	28639	Angle Frame	1	1	20	20181	1/4 x 1-1/4 Pin	4	6
6	90286	3/4-10 x 2 Hex Cap Screw G5	4	4	21	59900	Label – Warning/Caution, Snowplows	1	1
7	90645	3/4-10 Hex Locknut	15	14	22	26211	Label – Identity, STORM GUARD™	1	1
8	98034	3/4-10 x 2 Carriage Bolt G5	15	14	ns	20238	Label – Logo, FISHER® Splatter	1	1
9	26523	Shoe Assembly Solid Cast	2	4	ns	26490	Steel Deflector Accessory (9' blade only)	1	n/a
10	7902K	Shoe Spacer Packet (5)	2	4	ns	22390	Rubber Deflector Accessory	1	1
11	308K	Shoe Pin Packet (1)	2	4					

ns = not shown

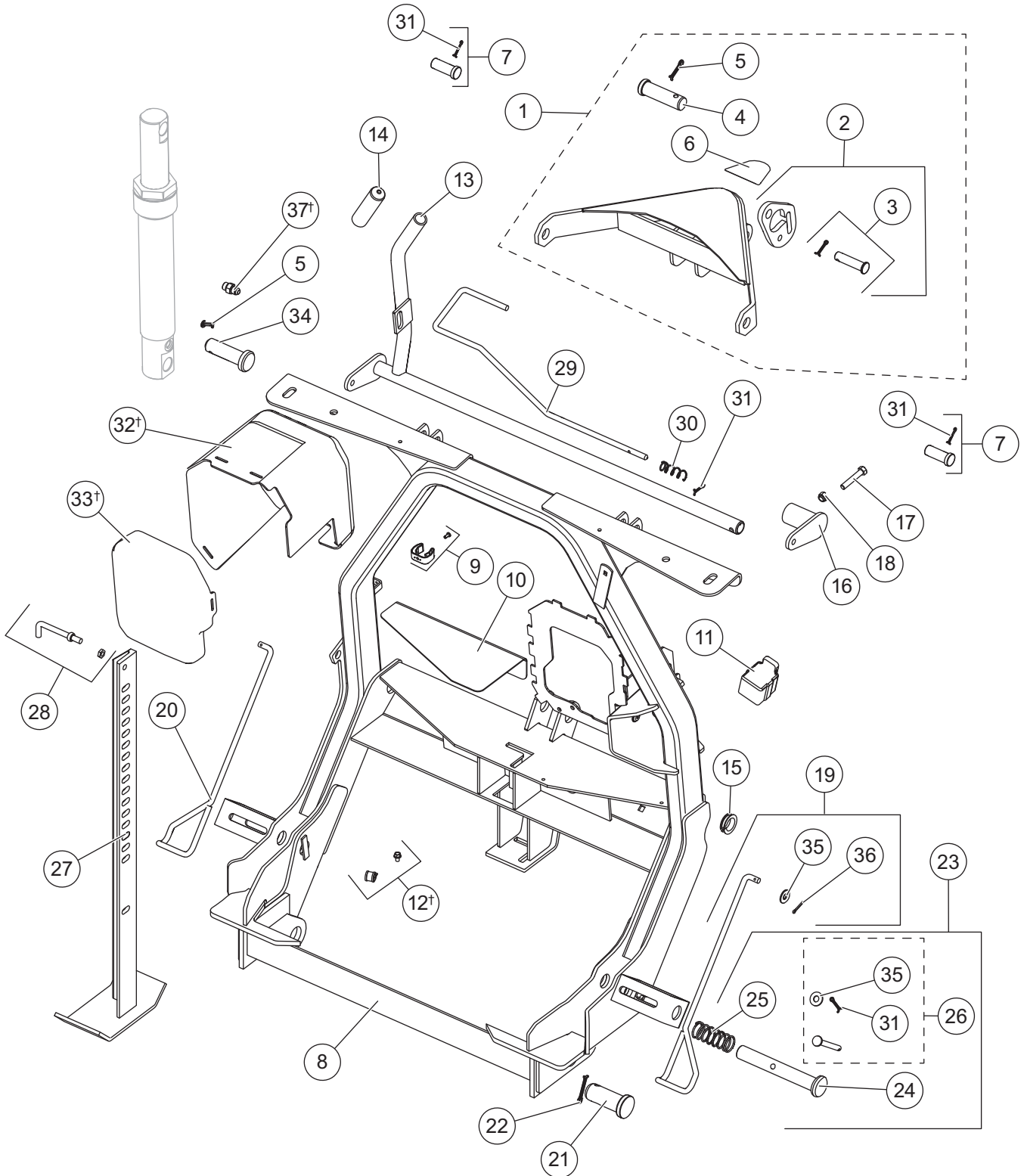
G = Grade

**A-Frame Components**



A-Frame Components							
Item	Part	Qty	Description	Item	Part	Qty	Description
1	20789	1	1-1/4 x 6-3/4 Pivot Pin	7	A6148K	3	U-Bolt Assembly Packet
2	90013	1	1/4 x 2 Cotter Pin	8	42423	1	Spring/U-Bolt/Link Kit
3	27850	1	A-Frame	9	68616	1	Quick Link
4	20790	4	Commercial Ram Pin	10	27074	1	Spring
5	90601	4	1/4 x 1-1/2 Cotter Pin	11	91413	2	3/8-16 Hex Nut G5
6	28351-1	1	3/8 Grade 30 Proof Chain Bag – MC	12	95604	2	Elbow, 90° –6 M JIC/1/4 M NPTF
G = Grade				M = Male			

Headgear Components

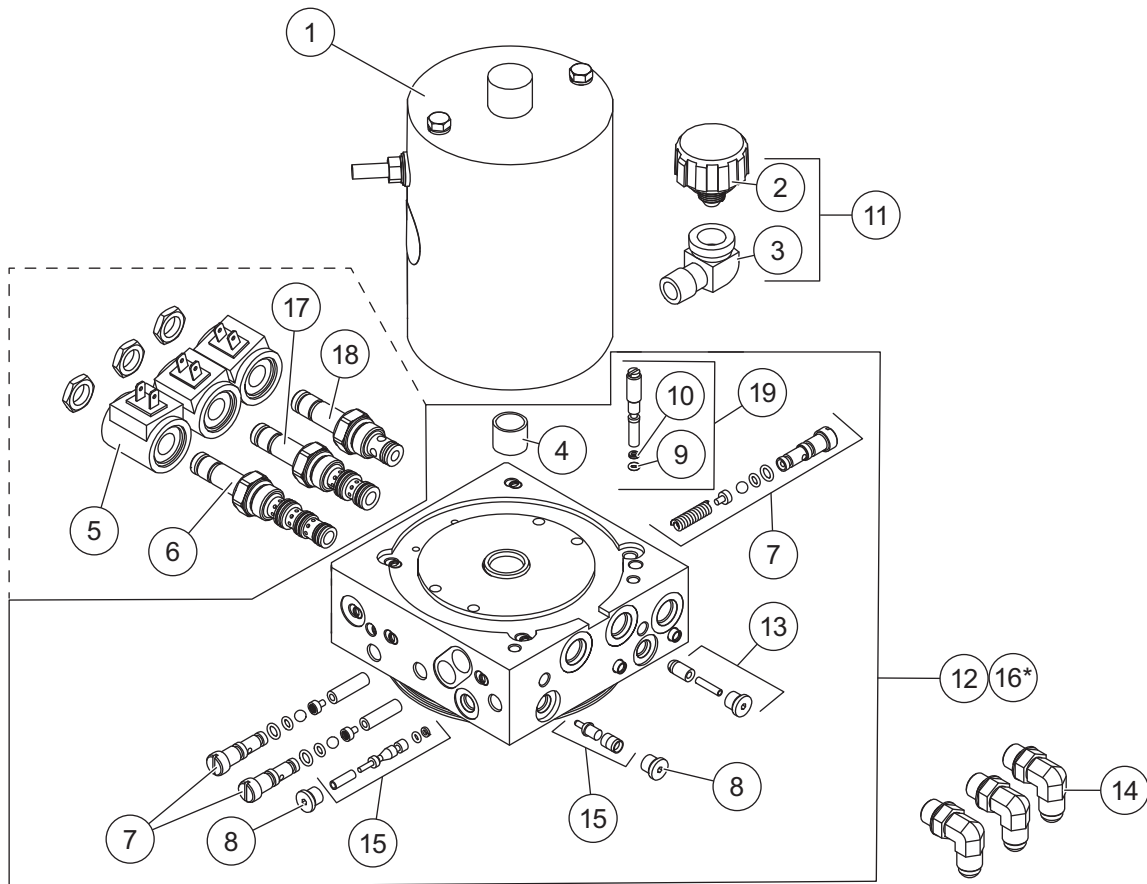


Headgear Components							
Item	Part	Qty	Description	Item	Part	Qty	Description
1	28350-2	1	Lift Arm Kit – MC, Yellow	21	26164	2	1-1/4 x 3-1/16 Pin
2	28991	1	Stop Link Kit	22	90013	2	1/4 x 2 Cotter Pin
3	29037	1	5/8 x 2-5/8 Clevis Pin w/Cotter	23	27168K	2	Connecting Pin Kit
4	95720	1	1 x 3-5/16 Clevis Pin HT	24	26833	2	1 x 6-15/16 Clevis Pin
5	90601	2	1/4 x 1-1/2 Cotter Pin	25	821	2	1 x 3-1/2 Compression Spring
6	26777	1	Label – Nameplate, Minute Mount® 2	26	26219	2	Clevis Pin Kit
7	4289K	2	3/4 x 1-7/8 Machine Pin Packet	27	26172	1	Jack – MC
8	49527-1	1	Headgear	28	27164K	1	Handle Kit
9	27162K-1	1	Stop Clip Kit	29	27478	1	Jack Lock
10	27451	1	Label – Attach/Detach, MM 2	30	27461	1	3/4 x 3-1/2 Compression Spring
11	8284K	1	Cable Boot	31	90658	5	5/32 x 1-1/4 Cotter Pin
12†	49522	2	Clamp Loop Kit	32†	68312-1	1	Cover, Front
13	27468	1	Handle – Link Arm Assembly	33†	68313-1	1	Cover, Rear
14	27535	1	Handle Cover Kit	34	42521	1	Clevis Pin
15	27163K	2	Snap-In Bushing Kit (2 bushings)	35	90315	4	3/8 Flat Washer Type A Wide
16	27465	1	Link Arm	36	91902	2	1/8 x 1 Cotter Pin
17	90043	1	3/8-16 x 2 Hex Cap Screw G5	37†	49526	1	Connector –6 M JIC/–6 M ORB
18	91333	1	3/8-16 Hex Locknut GB	ns	56725‡	1	Elbow 90° –6 M JIC/–6 M ORB
19	27167K	1	Wire Cam Kit – PS	ns	69689†	1	Label – SECURITY GUARD™
20	27166K	1	Wire Cam Kit – DS				
		G = Grade				HT = Heat Treated	
						M = Male	
						ns = not shown	

† Not used for central hydraulics.

‡ Central hydraulics only.

Hydraulic Unit Components

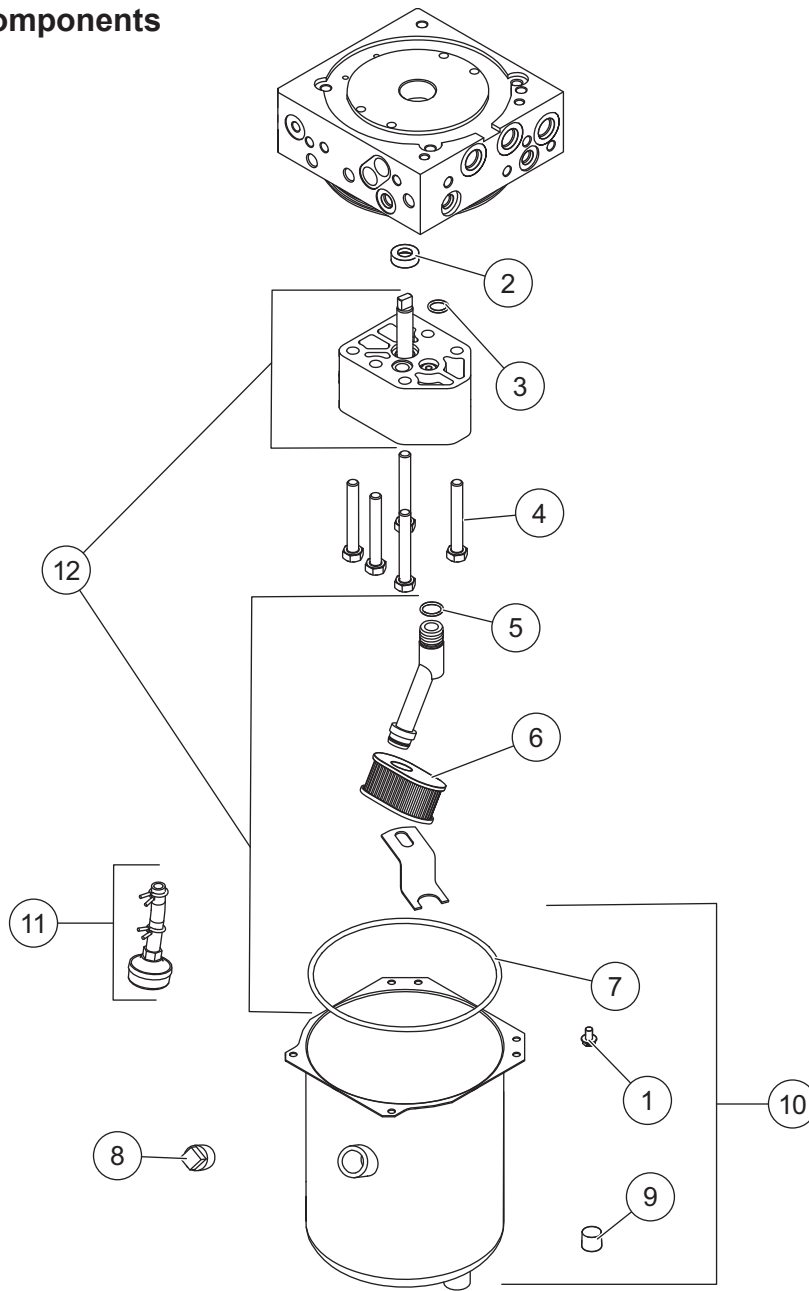


\* Item 16 includes 5, 6, 17, and 18.

Hydraulic Unit							
Item	Part	Qty	Description	Item	Part	Qty	Description
1	21500K-1	1	Motor 4-1/2"	11	22344K	1	Elbow, Street 90° 3/8 M NPTF/ 3/8 F NPTF w/Breather
2	21727-2	1	Breather Pressure Control – Gray	12	42292-2	1	Valve Manifold
3	21726	1	3/8 NPTF x 90° Street Elbow	13	56507	1	Bypass Check Valve Kit
4	64596-1	1	Sleeve Bearing & Shaft Seal Kit	14	56725	3	Elbow, 90° –6 M JIC/–6 M ORB
5	7639K-2	3	Coil w/Spades	15	7630K	2	Poppet Check Valve Kit
6	7637K-1	1	Cartridge Valve 4-Way w/Nut	16	42294-2	1	Valve Manifold Assembly
7	7629K-4	3	Relief Valve Kit	17	66608K-1	1	Cartridge Valve 3-Way w/Nut
8	92960	2	Plug, Hex Socket –3 M ORB	18	7634K-2	1	Valve 2-Way w/Nut
9	25622	1	O-Ring -006	19	56662	1	Quill Assembly
10	56315	1	O-Ring -006				
M = Male				F = Female			



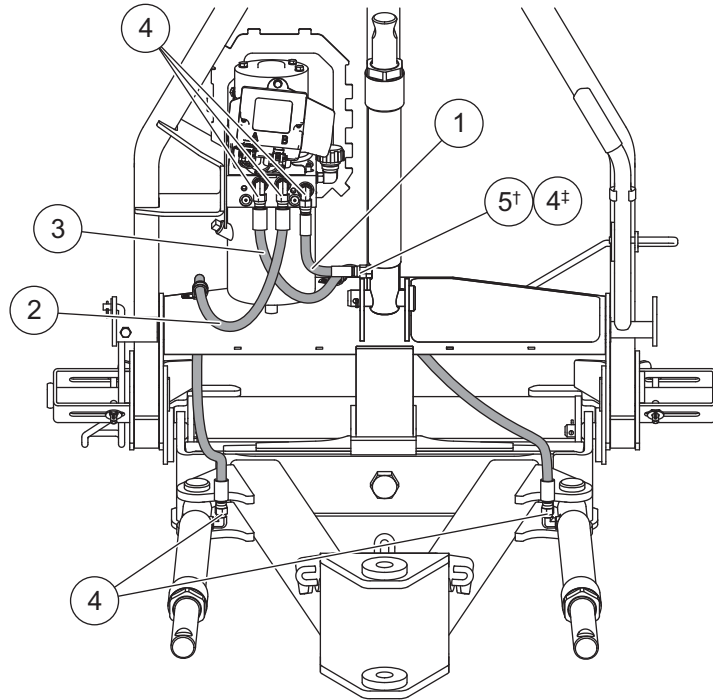
Hydraulic Unit Components



Hydraulic Unit							
Item	Part	Qty	Description	Item	Part	Qty	Description
1	66607	3	#10-24 x 5/16 Slotted Hex Washer-Head Machine Screw	9	92095	1	Plug, Hex Socket 1/4 NPTF w/Thread Sealant
2	66515	1	Pump Shaft Seal	10	21830	1	Reservoir Kit
3	56274	1	O-Ring -013	11	66405	1	Return Screen Assembly
4	90073	5	5/16-18 x 2-1/4 Hex Cap Screw	12	21501K-1	1	Hydraulic Pump Kit
5	56416	1	O-Ring -014	ns	7632K-5	1	O-Ring & Back-Up Ring Kit
6	26781-4	1	Suction Filter	ns	49258-2	1	Seal Kit, 2-Way Valve
7	66519	1	O-Ring -2-250	ns	49259-2	1	Seal Kit, 3-Way and 4-Way Valve
8	92079	1	Plug, Square 3/8 NPTF	ns	73897	1	Magnet

ns = not shown

Hoses and Fittings

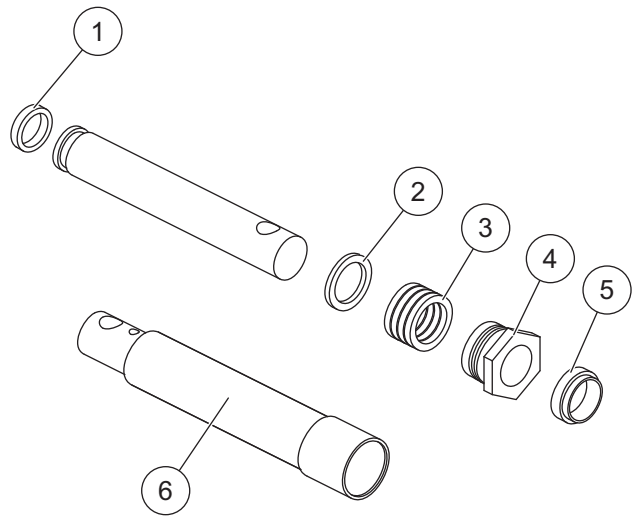
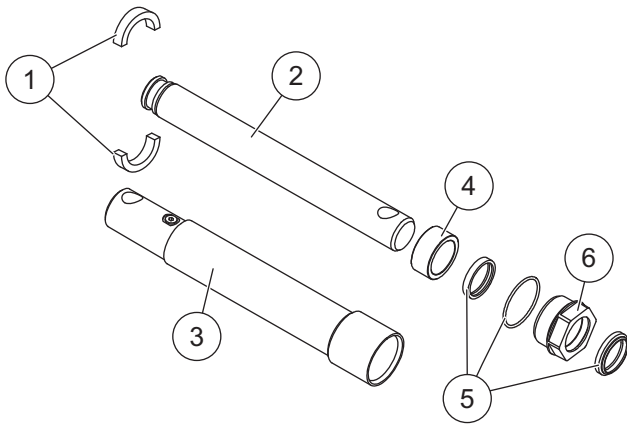


Hoses and Fittings							
Item	Part	Qty	Description	Item	Part	Qty	Description
1†	56832	1	Hose, 1/4 x 8 w/F JIC Ends	4†	56725	5	Elbow, 90° -6 M FIC/-6 M ORB
2†	49501	1	Hose, 3/8 x 36 w/F JIC Ends	5†	49526	1	Connector, Short -6 M JIC/ -6 M ORB
3†	44348	1	Hose, 3/8 x 42 w/F JIC Ends				
M = Male				F = Female			

† Not used for central hydraulics.

‡ Central hydraulics only.

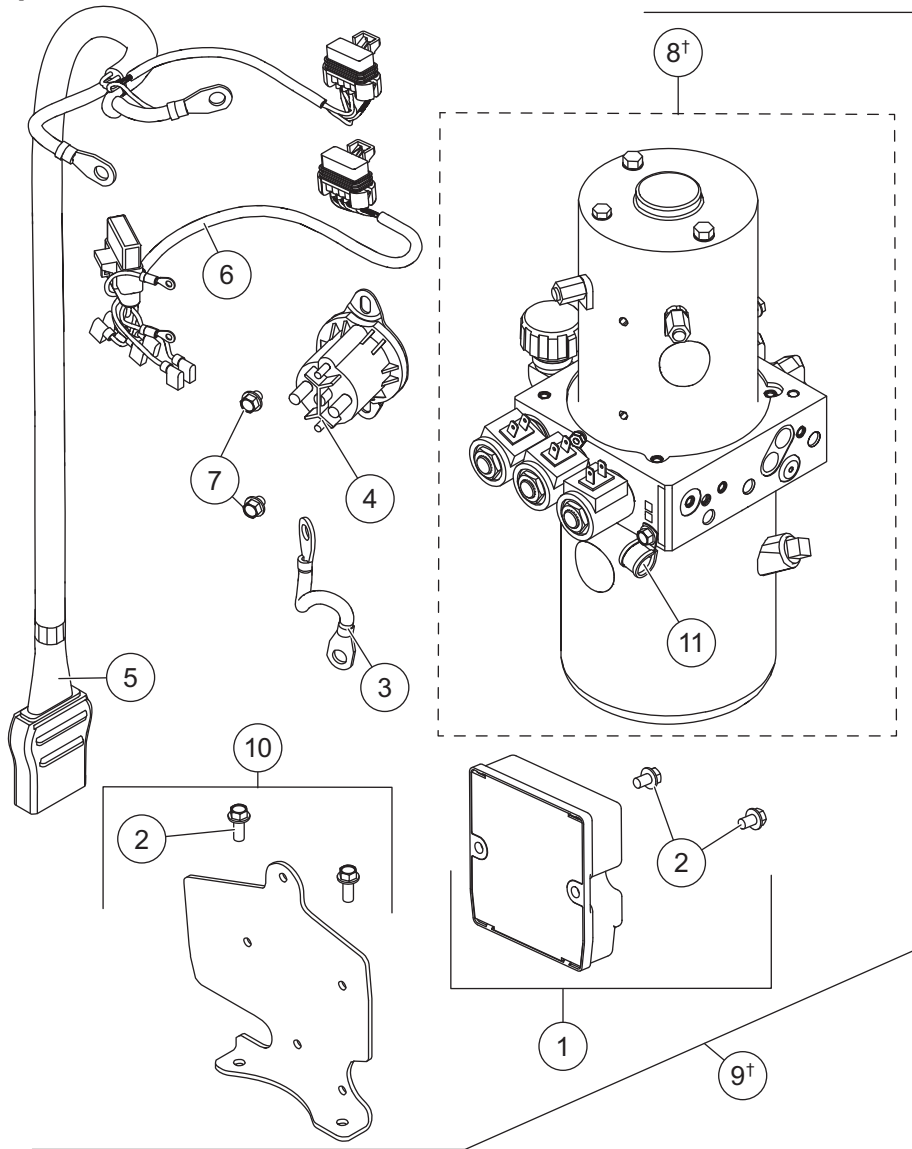
**Lift Ram and Angle Ram Components**



<b>56740 Lift Ram Assembly 2 x 10</b>			
Item	Part	Qty	Description
1	64151	1	Split Bearing Kit, 2"
2	64152	1	Rod Assembly (incl. split bearing)
3	56676	1	Cylinder
4	56733	1	Spacer
5	64153	1	PolyPak Seal Kit
6	56734	1	Gland Nut

<b>A5166K Angle Ram Assembly 2 x 16</b>			
Item	Part	Qty	Description
1	48413	1	Spiral Retainer Ring Set
2	91174	1	Washer
3	3623	1	Packing Set
4	25948	1	Packing Nut
5	55210	1	Wiper
6	6996	1	Cylinder

Electrical Components



Electrical Components							
Item	Part	Qty	Description	Item	Part	Qty	Description
1	49567	1	Plow Module, 2-Port	9†	42290	1	Hydraulic Unit Service Kit
2	44355	4	1/4-20 x 5/8 Hex Washer-Head Thread-Rolling Screw	10	42287	1	Bracket – Plow Module
3	29071	1	Cable Assembly 8"	11	49522	1	Clamp Loop Kit
4	42901	1	Motor Relay Kit FLEET FLEX System	ns	42014†	1	Vehicle Battery Cable*
5	42015	1	Snowplow Battery Cable	ns	28587†	1	Vehicle Control Harness*
6	28581-1	1	Plow Control Harness, 3-Solenoid	ns	26498	1	Vehicle Control Harness – Central Hydraulics**
7	29099	2	1/4-20 x 1/4 Hex Washer-Head Thread-Rolling Screw	ns	61548K	1	Plug Cover Kit
8†	42295	1	Hydraulic Unit 2500 psi	ns	98043	3	3/8-16 x 1 Button Cap Screw

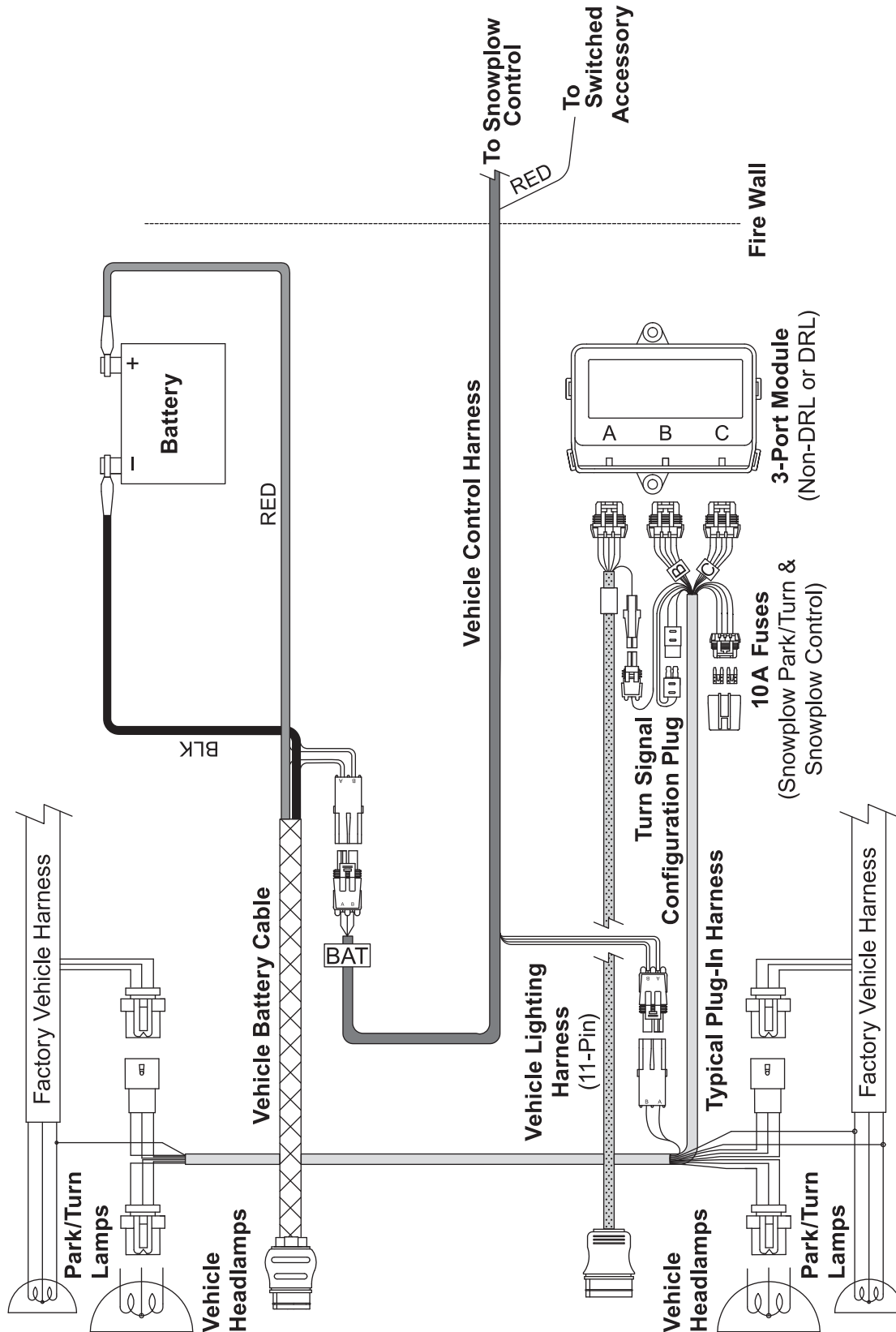
ns = not shown

\* For diagram, see Vehicle-Side Harness Diagram – 3-Port, 2-Plug System.

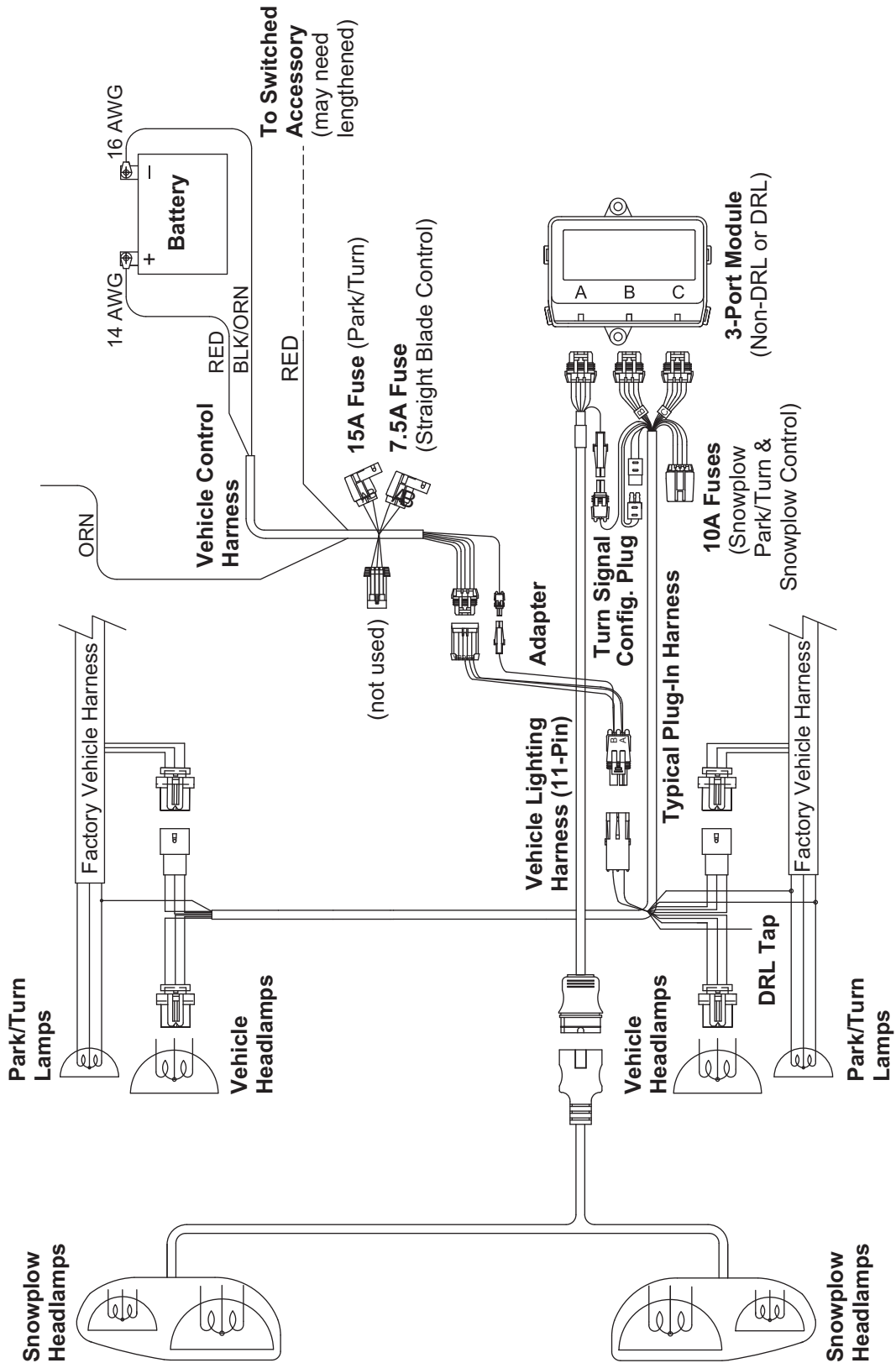
\*\* For diagram, see Vehicle-Side Harness Diagram – Central Hydraulics.

† Not used for central hydraulics.

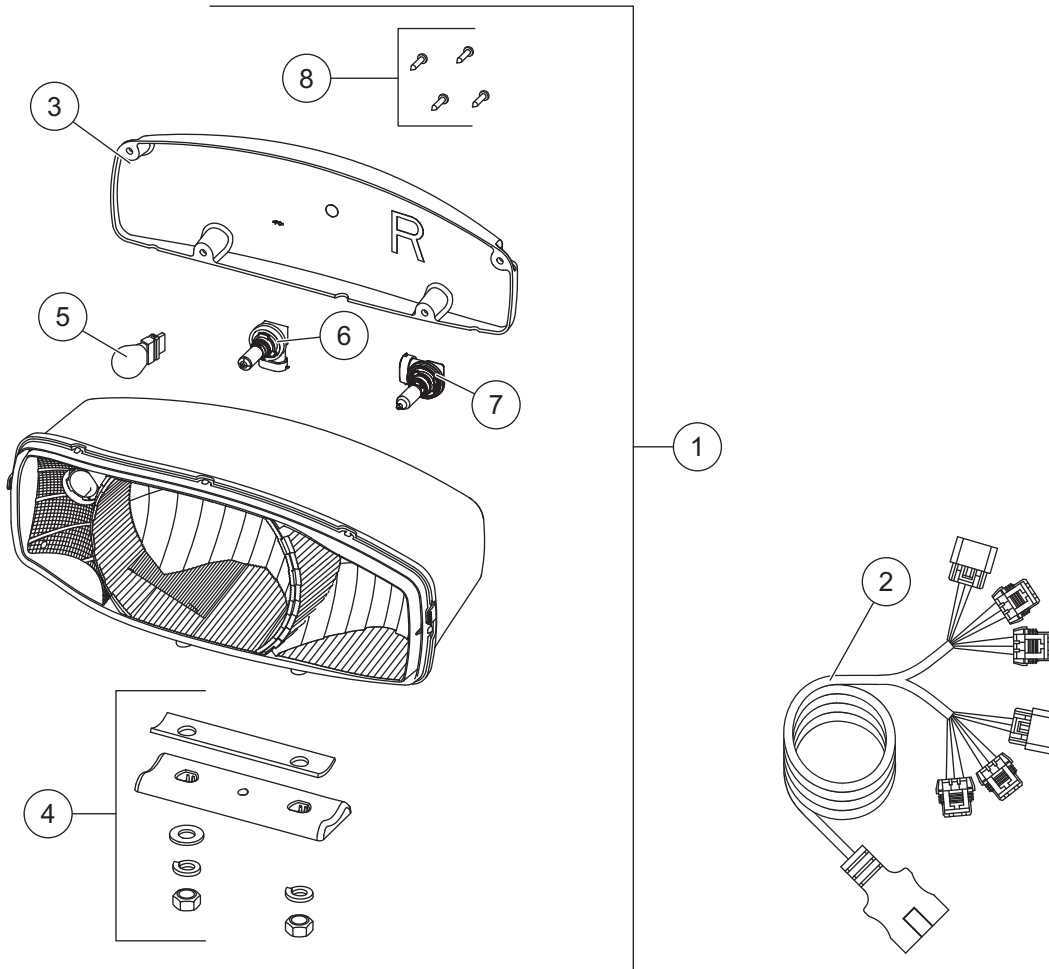
Vehicle-Side Harness Diagram – 3-Port, 2-Plug System



Vehicle-Side Harness Diagram - Central Hydraulics



Headlamp Kit



38800 Headlamp Kit H9/H11 (pair)							
Item	Part	Qty	Description	Item	Part	Qty	Description
1	38802	1	Headlamp Service Kit H9/H11 – PS	2	38807	1	Harness Service Kit H9/H11
ns	38801	1	Headlamp Service Kit H9/H11 – DS				
<b>Item 1</b>	<b>38801/38802 Headlamp Service Kit H9/H11 – PS/DS</b>						
3	38803	1	Rear Cover Kit H9/H11 – PS	6	38811	1	Headlamp Bulb Service Kit H11
ns	38812	1	Rear Cover Kit H9/H11 – DS	7	38809	1	Headlamp Bulb Service Kit H9
4	38804	1	Mounting Hardware Kit H9/H11	8	38808	1	Cover Screws Service Kit H9/H11 (pkg of 4)
5		1	Park/Turn Bulb (trade no. 4157NAK)				

ns = not shown



Fisher Engineering  
50 Gordon Drive  
Rockland, ME 04841-2139  
[www.fisherplows.com](http://www.fisherplows.com)

**A DIVISION OF FISHER, LLC**

Copyright © 2019 Douglas Dynamics, LLC. All rights reserved. This material may not be reproduced or copied, in whole or in part, in any printed, mechanical, electronic, film, or other distribution and storage media, without the written consent of Fisher Engineering. Authorization to photocopy items for internal or personal use by Fisher Engineering outlets or snowplow owner is granted.

Fisher Engineering reserves the right under its product improvement policy to change construction or design details and furnish equipment when so altered without reference to illustrations or specifications used. Fisher Engineering or the vehicle manufacturer may require or recommend optional equipment for snow removal. Do not exceed vehicle ratings with a snowplow. Fisher Engineering offers a limited warranty for all snowplows and accessories. See separately printed page for this important information. The following are registered (®) or unregistered (™) trademarks of Douglas Dynamics, LLC: FISHER®, Minute Mount® 2, SECURITY GUARD™, SnoFoil®, STORM GUARD™.

**Printed in U.S.A.**