



# **MIDWEIGHT™, PRO-PLOW® Series 2, and POLY PRO-PLOW® Series 2 Snowplow**

**Poly Blade Assemblies 72400, 72450, 74330**

**Steel Blade Assemblies 72308, 72381, 72390, 74340**

**Center Assembly 75200-1, 75200-3**

**Center Assembly, Central Hydraulics 75210-1, 75210-3**

**Parts List**





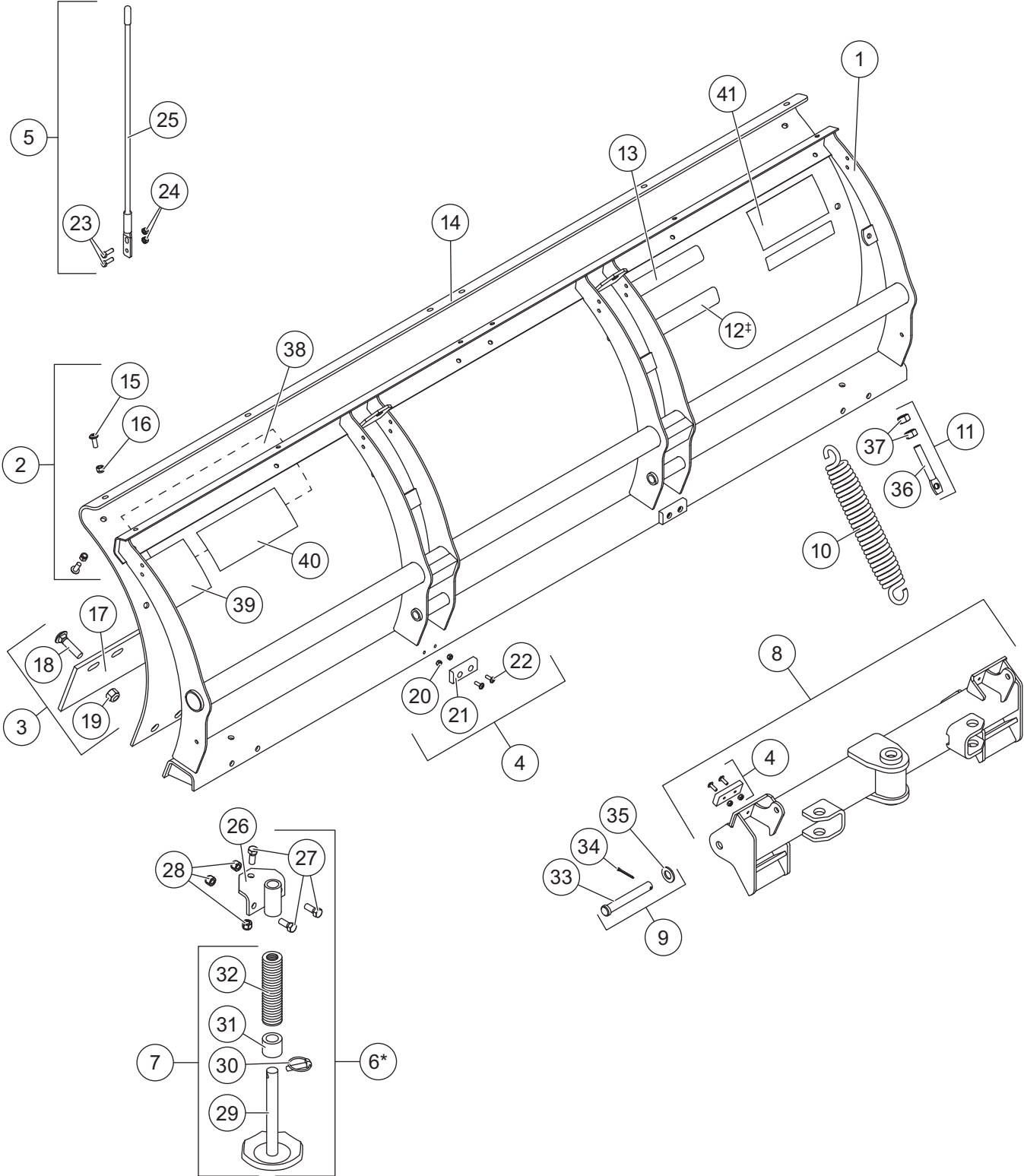
# TABLE OF CONTENTS

---

<b>MIDWEIGHT™ BLADE ASSEMBLY</b> .....	4
<b>PRO-PLOW® Series 2 BLADE ASSEMBLY</b> .....	6
<b>MIDWEIGHT AND PRO-PLOW Series 2 CENTER ASSEMBLY</b> .....	8
Lift Frame and A-Frame Components .....	8
Hydraulic Unit Components .....	10
Lift and Angle Ram Components .....	12
Hoses and Fittings .....	12
Electrical Components .....	13
Vehicle-Side Harness Diagram – 3-Port, 2-Plug System .....	14
Vehicle-Side Harness Diagram – Central Hydraulics .....	15
Headlamp Kits .....	16–17

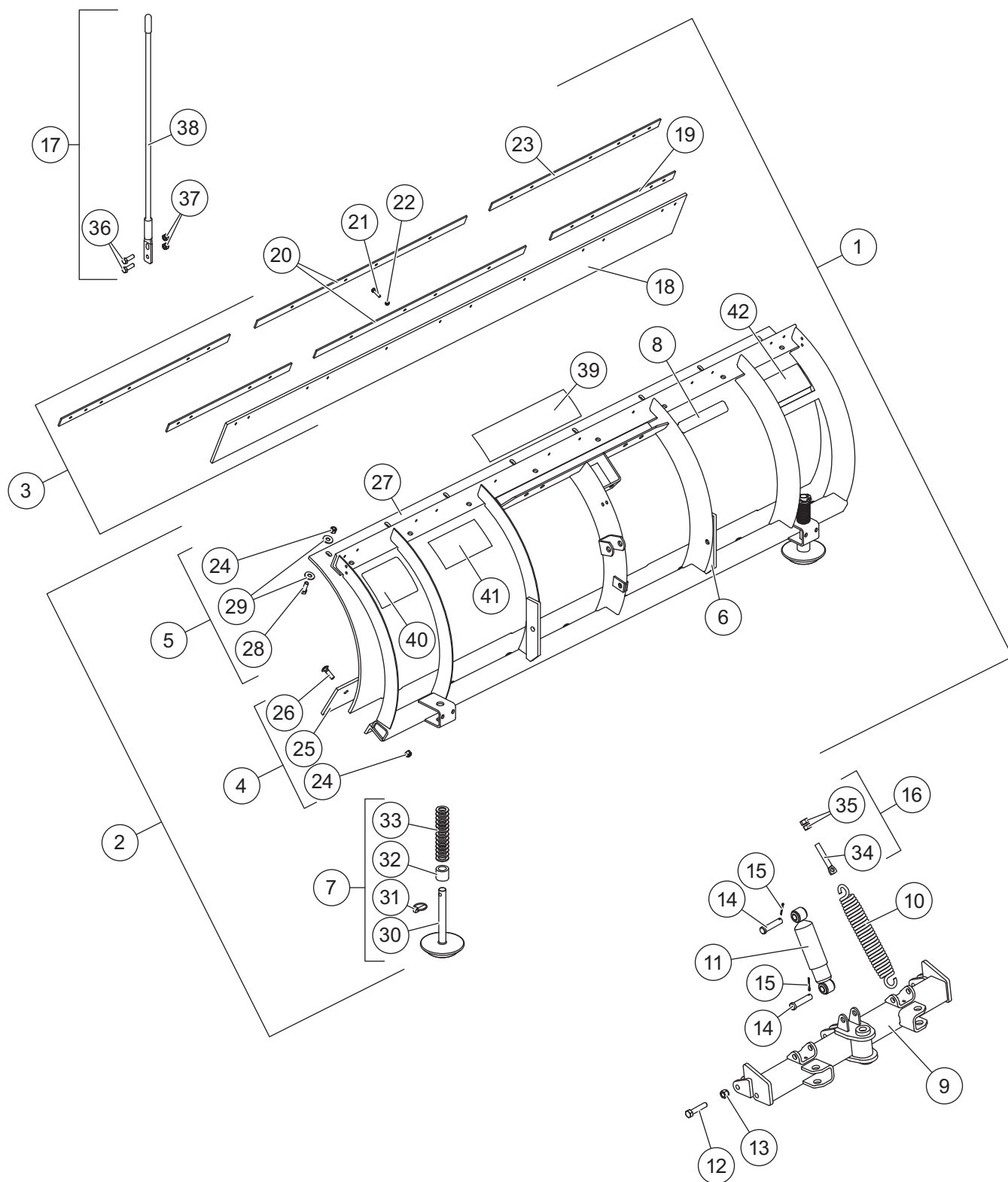
# MIDWEIGHT™ BLADE ASSEMBLY 74330/74340

## Blade Assembly Components



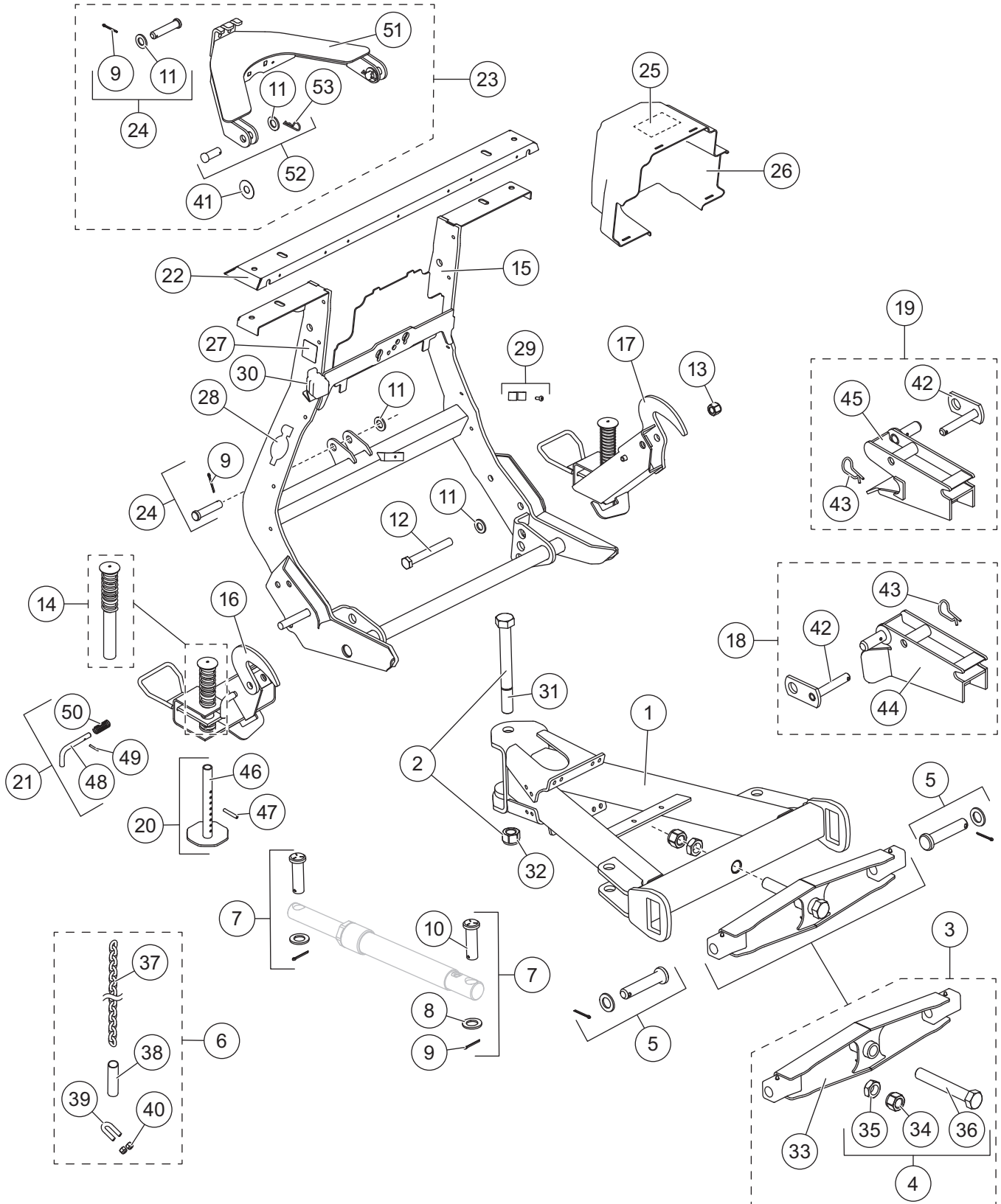


Blade Assembly Components





Lift Frame and A-Frame Components





# MIDWEIGHT™ & PRO-PLOW® Series 2 CTR ASSEMBLY 75200-1/75210-1(CH)

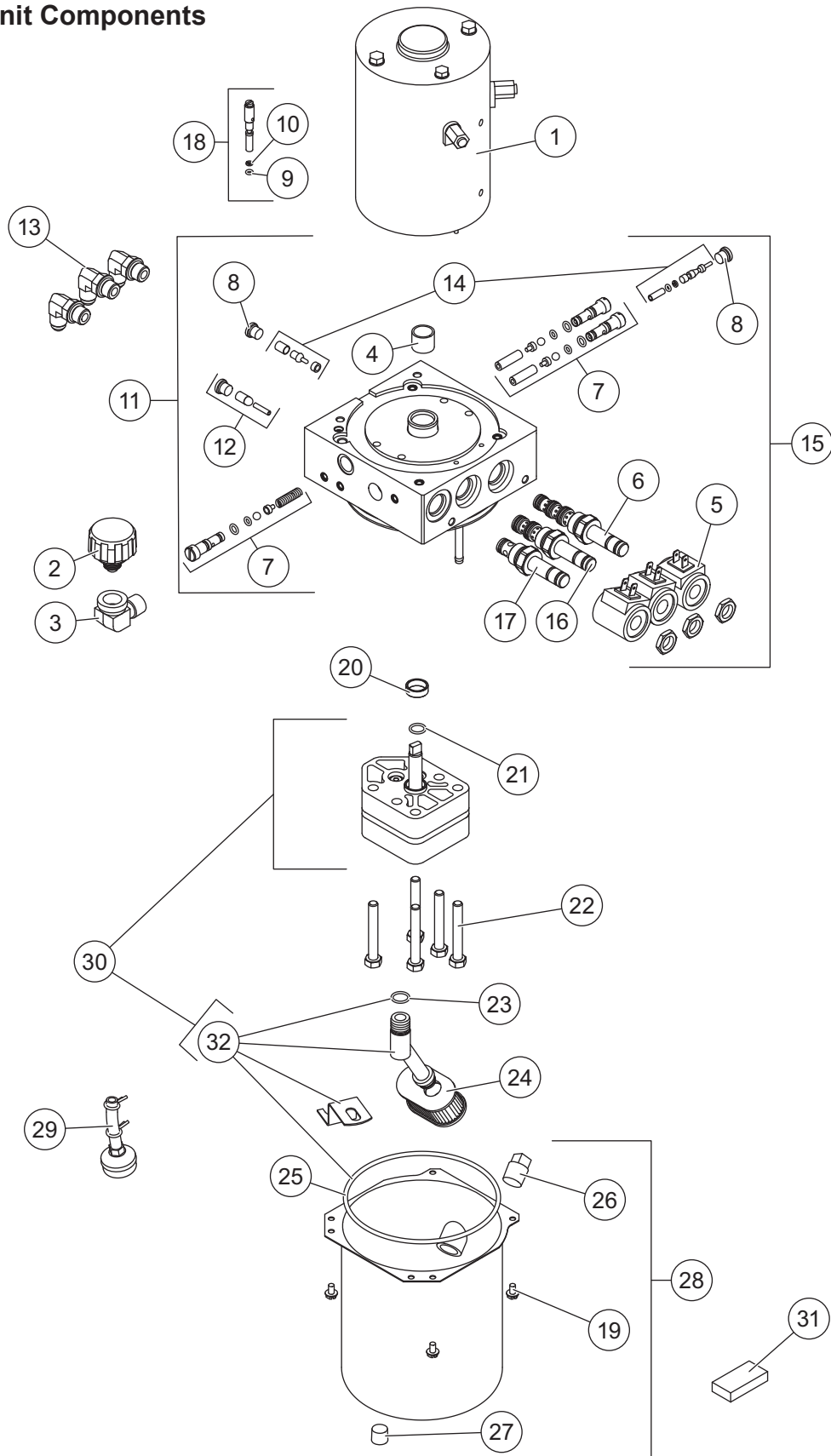
MIDWEIGHT and PRO-PLOW Series 2 Lift Frame and A-Frame Components							
Item	Part	Qty	Description	Item	Part	Qty	Description
1	68291	1	A-Frame	17	72617	1	Stand Assembly – PS
2	69494	1	Nose Plate Bolt Kit	18	76722	1	Receiver Kit – DS
3	67842-1	1	Pivot Bar Kit	19	76718	1	Receiver Kit – PS
4	67855	1	Pivot Bolt Kit	20	67847	2	Stand Shoe Kit
5	49645	2	Pivot Bar Pin Kit	21	67844	2	Stand Lock Pin Kit
6	49033	2	1/4 Grade 43 Chain Assembly	22	43302	1	Light Channel
7	63973	4	Ram Pin Kit	23	43304	1	Lift Arm Kit
8	91192	6	Round Flat Washer, Special	24	68740	2	3/4 x 3-1/2 Clevis Pin Kit
9	91911K	2	5/32 x 1-1/2 Cotter Pin Kit (pkg of 4)	25	43353	1	Label – Information, Straight Blade Hydraulic
10	93074	4	1 x 3-1/4 Clevis Pin	26†	68314-1	1	Hydraulic Unit Cover (incl. item 31)
11	91147	6	3/4 Flat Washer	27†	69689	1	Label – Logo, SECURITY GUARD™
12	66451	2	3/4-10 x 6 Hex Cap Screw G5	28	43358	2	Label – Identity, UltraMount® 2
13	91338	2	3/4-10 Hex Locknut GB	29	49479-1	1	Hose Bracket Kit
14	48523	2	Plunger w/Spring	30	61246	1	Cable Boot
15	78790	1	Lift Frame Kit				
16	72618	1	Stand Assembly – DS				
<b>Item 2</b>				<b>69494 Nose Plate Bolt Kit</b>			
31		1	1-8 x 9 Hex Cap Screw G8	32		1	1-8 Hex Locknut GB
<b>Item 3</b>				<b>67842-1 Pivot Bar Kit</b>			
4	67855	1	Pivot Bolt Kit	33		1	Pivot Bar
<b>Item 4</b>				<b>67855 Pivot Bolt Kit</b>			
34		1	1-8 Hex Locknut GB	36	67552	1	1-8 x 7 Hex Cap Screw G5
35	67748	1	1-8 Hex Jam Nut G5				
<b>Item 6</b>				<b>49033 1/4 Grade 43 Chain Assembly</b>			
37		1	1/4 x 42 Grade 43 Chain	39	90453	1	3/8-16 x 1-1/2 U-Bolt G5
38		1	Plastic Tube	40	91333	2	3/8-16 Hex Locknut GB
<b>Item 15</b>				<b>78790 Lift Frame Kit</b>			
		1	Lift Frame	28	43358	2	Label – Identity, UltraMount 2
27†	69689	1	Label – Logo, SECURITY GUARD	41		1	UHMW Round Flat Washer, Special
<b>Item 18</b>				<b>76722 Receiver Kit – DS</b>			
42	42498	1	Receiver Pin	44		1	Receiver – DS
43	91965K-1	1	5/32 Hairpin Cotter				
<b>Item 19</b>				<b>76718 Receiver Kit – PS</b>			
42	42498	1	Receiver Pin	45		1	Receiver – PS
43	91965K-1	1	5/32 Hairpin Cotter				
<b>Item 20</b>				<b>67847 Stand Shoe Kit</b>			
46		1	Stand Shoe	47	67635	1	1/4 x 2 Roll Pin
<b>Item 21</b>				<b>67844 Stand Lock Pin Kit</b>			
48		1	Lock Pin	50	67726	1	Spring Lock Pin
49	67700	1	3/16 x 1-1/4 Roll Pin				
<b>Item 23</b>				<b>43304 Lift Arm Kit</b>			
24	68740	1	3/4 x 3-1/2 Clevis Pin Kit	51		1	Lift Arm
41		1	UHMW Round Flat Washer, Special	52	43351	1	3/4 x 2 Clevis Pin Kit
<b>Item 52</b>				<b>43351 3/4 x 2 Clevis Pin Kit</b>			
		1	3/4 x 2 Pin	53	91962	1	1/8 Hairpin Cotter
11	91147	1	3/4 Flat Washer				

G = Grade

† Not used for central hydraulics.

# MIDWEIGHT™ & PRO-PLOW® Series 2 CENTER ASSEMBLY 75200-1

## Hydraulic Unit Components



# MIDWEIGHT™ & PRO-PLOW® Series 2 CENTER ASSEMBLY 75200-1

<b>42345-1 Hydraulic Unit</b> <b>42348-1* Hydraulic Unit Service Kit</b> (Not used for central hydraulics)							
Item	Part	Qty	Description	Item	Part	Qty	Description
1	21500-1	1	Motor, 4-1/2"	18	56662	1	Quill Assembly
2	21727-2K	1	Breather Pressure Control	19	66607	4	#10-24 x 5/16 Slotted Hex Washer-Head Machine Screw
3	21726K	1	Elbow, Street, 90° 3/8 M NPTF/ 3/8 F NPTF	20 <sup>§</sup>	66515	1	Pump Shaft Seal
4**	64596-1	1	Sleeve Bearing & Shaft Seal Kit	21	56274	1	O-Ring -013
5	49230K-2	3	Coil w/Spades	22	90073	5	5/16-18 x 2-1/4 Hex Cap Screw
6	49229K-1	1	Cartridge Valve, 4-Way w/Nut	23	56416	1	O-Ring -014
7	49138K-5	1	Relief Valve Kit (2 sets)	24	56789-5	1	Suction Filter
8	92960	2	Plug, Hex Socket –3 M ORB	25	66519	1	O-Ring 2-250
9	25622	1	O-Ring -006	26	92079	1	Plug, Square 3/8 NPTF
10	56315	1	Back-Up O-Ring -006	27	92095	1	Plug, Hex Socket 1/4 NPTF w/Thread Sealant – SAE 130109N/P
11	42346-2	1	Manifold Assembly	28	21830	1	Reservoir Kit
12	56507	1	Bypass Check Valve Kit	29	66405	1	Return Screen Assembly
13	56615-1	3	Elbow, 90° –6 M JIC/–6 M ORB	30	21501-1	1	Hydraulic Pump Kit
14	49226K	1	Poppet Check Valve Kit	31	73897	1	Magnet
15	42347-2	1	Valve Manifold Assembly	32	66763-1	1	Inlet Fitting/Filter Kit
16	66608-1	1	Cartridge Valve, 3-Way w/Nut				
17	49227K-2	1	Valve, 2-Way w/Nut				
<b>O-Ring Service Kits</b>							
–	56657-6	–	O-Ring & Back-Up Ring Kit	–	49259-2	–	Seal Kit, 3-Way & 4-Way Valve
–	49258-2	–	Seal Kit, 2-Way Valve				
F = Female				M = Male			

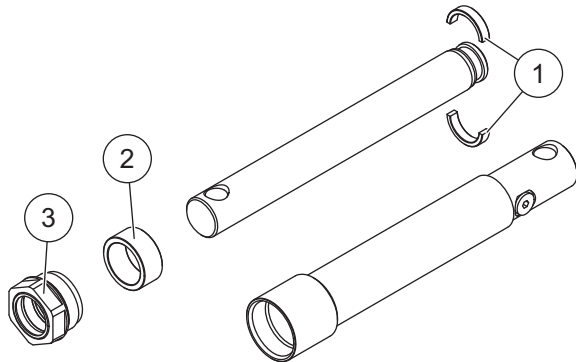
\* Includes 42345 hydraulic unit and plow-side electrical components (p. 13).

\*\* Use 64589 tool for bearing sleeve replacement (includes 1 bearing).

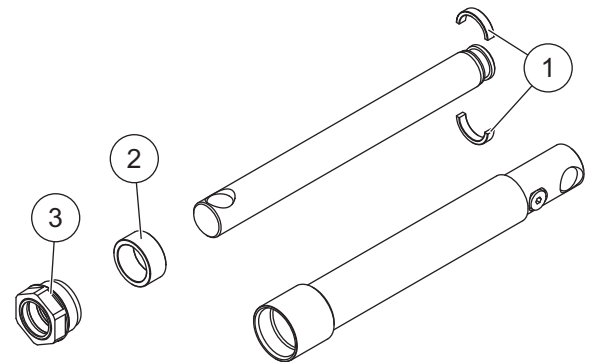
‡ Use 28856 tool for pump shaft seal replacement (includes 1 seal).

# MIDWEIGHT™ & PRO-PLOW® Series 2 CTR ASSEMBLY 75200-1/75210-1(CH)

## Lift and Angle Ram Components

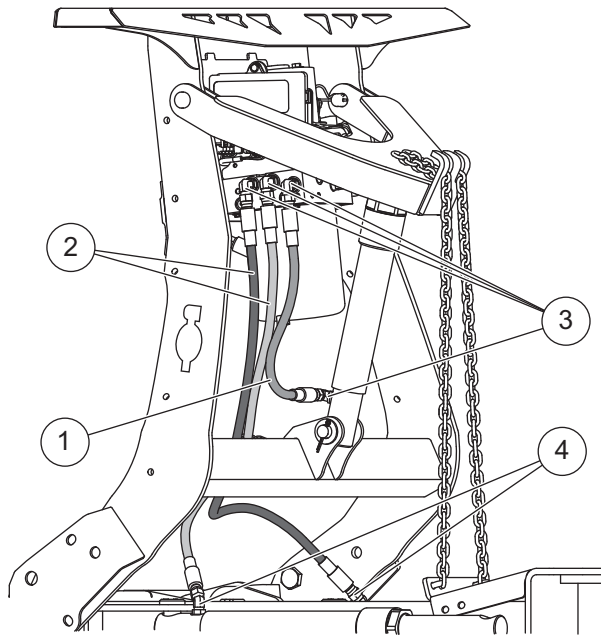


56538K Lift Ram Assembly 1-1/2 x 8			
Item	Part	Qty	Description
1	64650	1	Split Bearing Kit 1-1/2
2	56537	1	Spacer
3	48985	1	Gland Nut Assembly



64706K Angle Ram Assembly 1-1/2 x 10			
Item	Part	Qty	Description
1	64650	1	Split Bearing Kit 1-1/2
2	56537	1	Spacer
3	48985	1	Gland Nut Assembly

## Hoses and Fittings

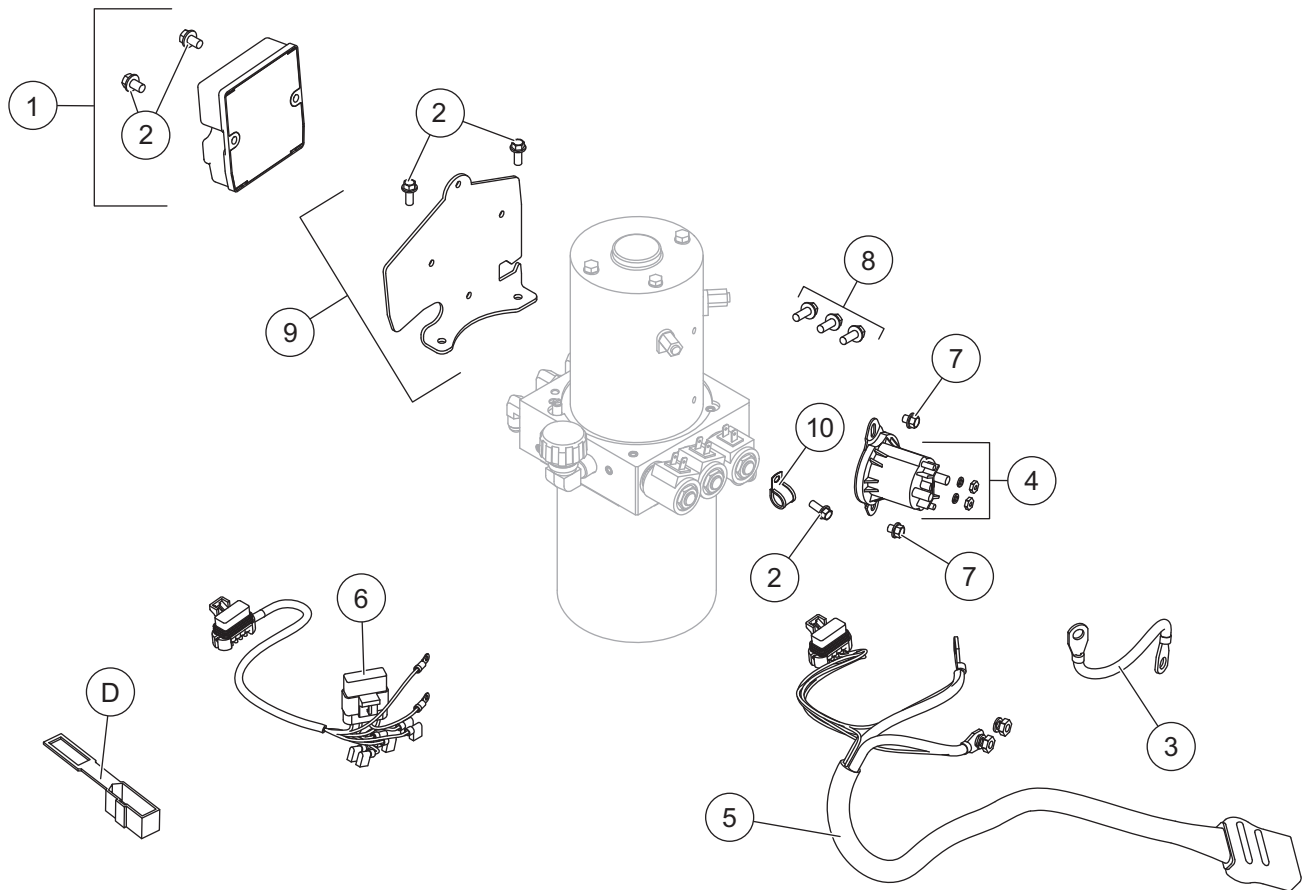


Hoses and Fittings							
Item	Part	Qty	Description	Item	Part	Qty	Description
1†	41094	1	Hose, 1/4 x 18 w/F JIC Ends	3	56615-1	4	Elbow, 90° -6 M JIC/-6 M ORB
2†	49532	2	Hose, 3/8 x 36 w/F JIC Ends	4	26694	2	Elbow, 45° -6 M JIC/-6 M ORB
F = Female				M = Male			

† Not used for central hydraulics.

# MIDWEIGHT™ & PRO-PLOW® Series 2 CTR ASSEMBLY 75200-1/75210-1(CH)

## Electrical Components



Plow-Side Electrical Components							
Item	Part	Qty	Description	Item	Part	Qty	Description
1	49567	1	Plow Module, 2-Port	7	29099	2	1/4-20 x 1/4 Hex Washer-Head Thread-Rolling Screw
2	44355	5	1/4-20 x 5/8 Hex Washer-Head Thread-Rolling Screw	8	72384	3	3/8-16 x 1 Serrated Flange Cap Screw
3	29071	1	Cable Assembly, 8"	9	42287	1	Bracket – Plow Module
4	42902	1	Motor Relay Kit FLEET FLEX System	10	65340	1	Clamp Loop #10
5	42015	1	Snowplow Battery Cable	ns	56099	1	Dielectric Grease
6	28581-1	1	Harness, Plow Control, 3-Solenoid				

ns = not shown

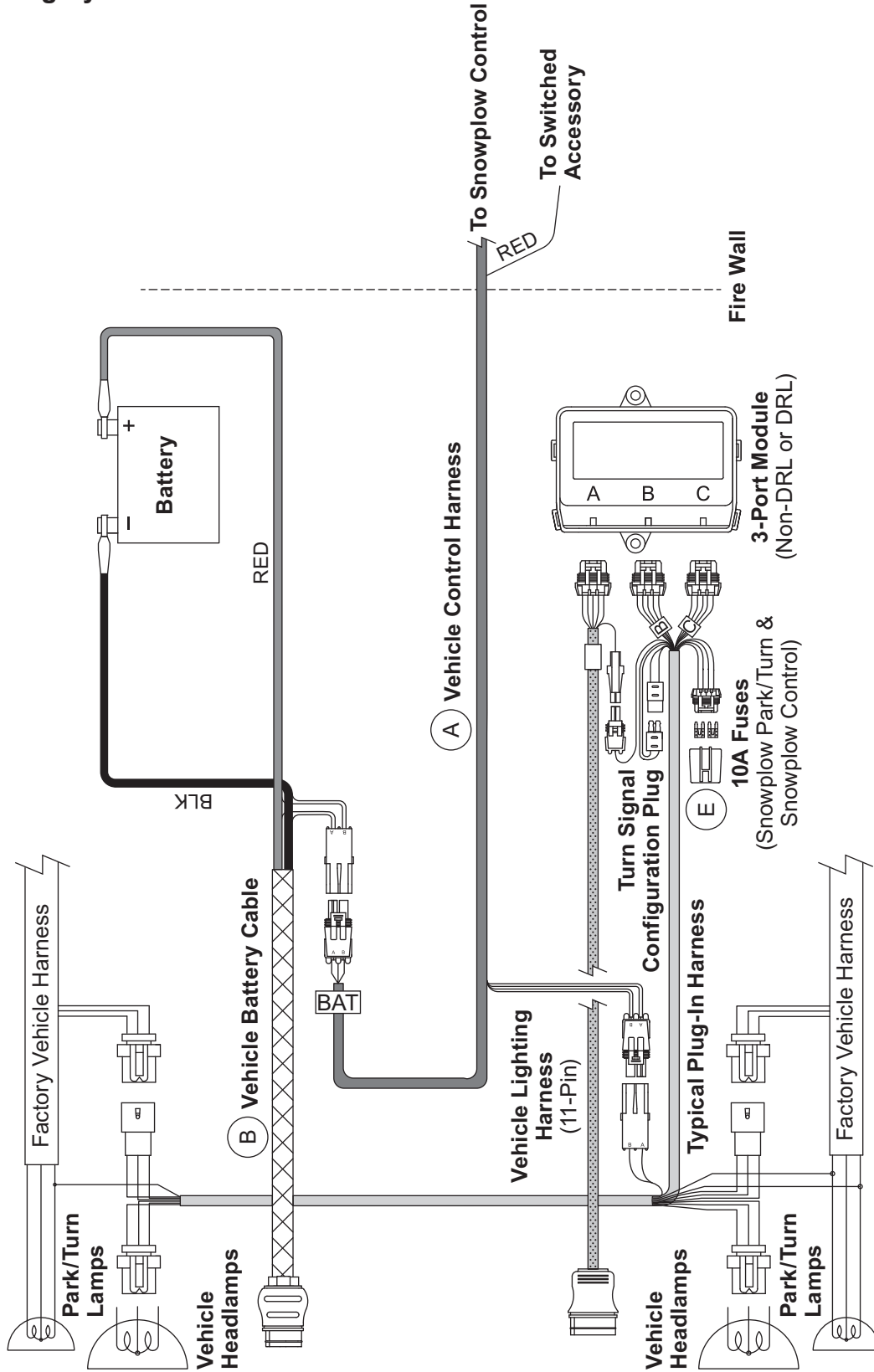
Vehicle-Side Electrical Components (Diagrams on following pages)							
A†	28587	1	Vehicle Control Harness	D	61548K	1	Plug Cover Kit (shown with plow-side electrical components)
B†	42014	1	Vehicle Battery Cable	E	29998	1	Fuse Cover (pkg of 5)
C**	26498	1	Vehicle Control Harness – Central Hydraulics				

\* For diagram, see Vehicle-Side Harness Diagram – 3-Port, 2-Plug System.

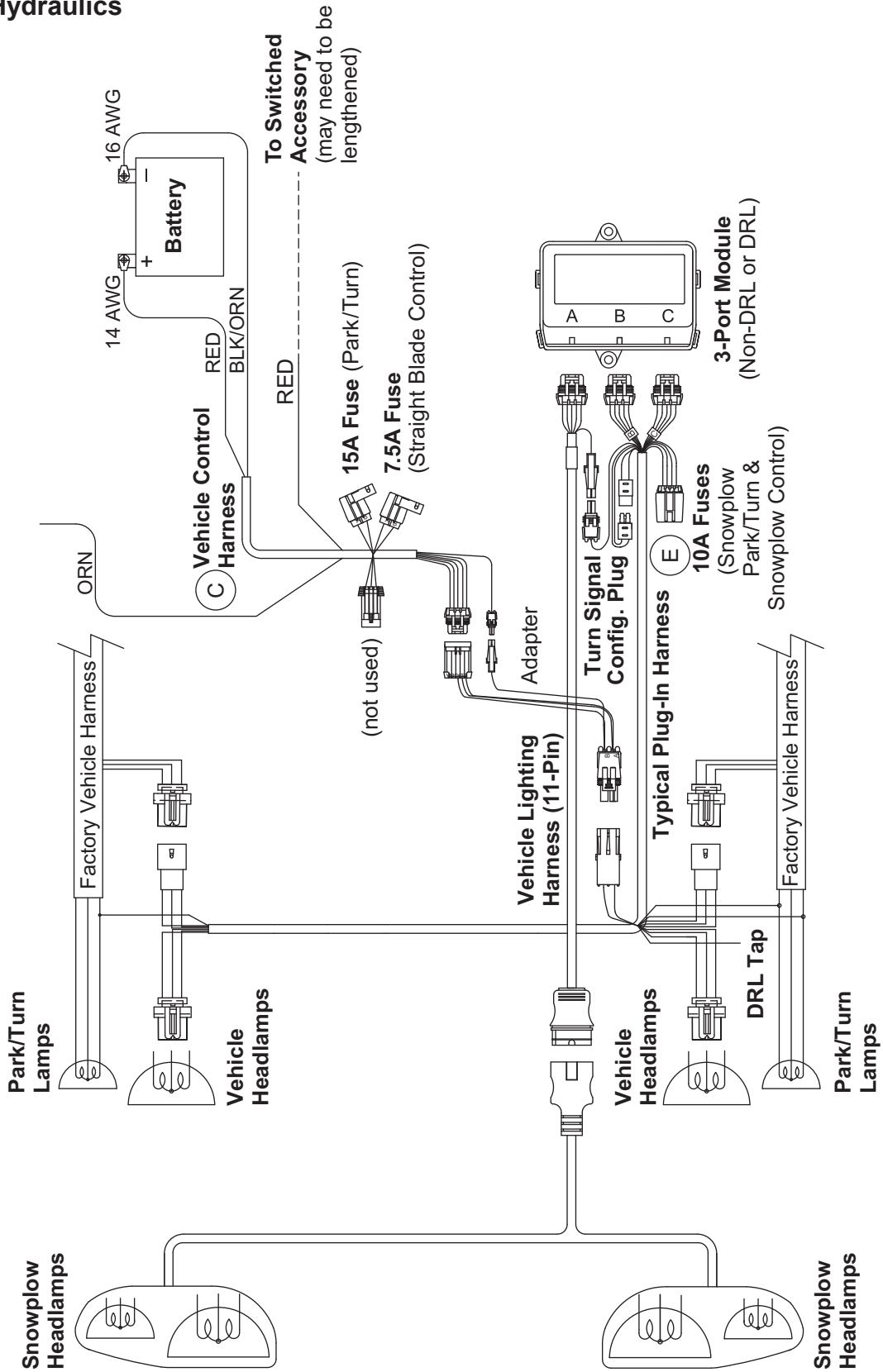
\*\* For diagram, see Vehicle-Side Harness Diagram – Central Hydraulics.

† Not used for central hydraulics.

Vehicle-Side Harness Diagram  
3-Port, 2-Plug System

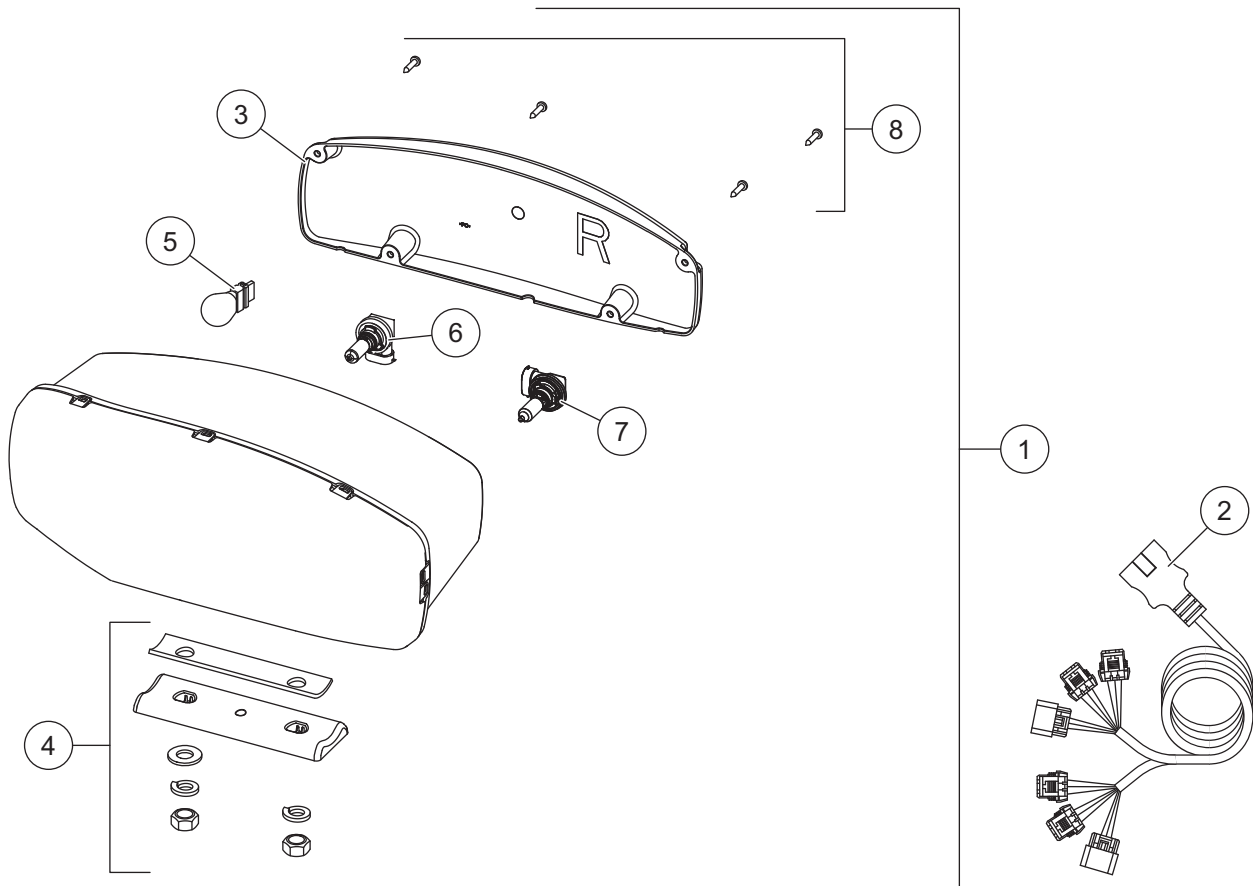


Vehicle-Side Harness Diagram  
Central Hydraulics



# MIDWEIGHT™ & PRO-PLOW® Series 2 CTR ASSEMBLY 75200-1/75210-1(CH)

## Headlamp Kit – Non-LED



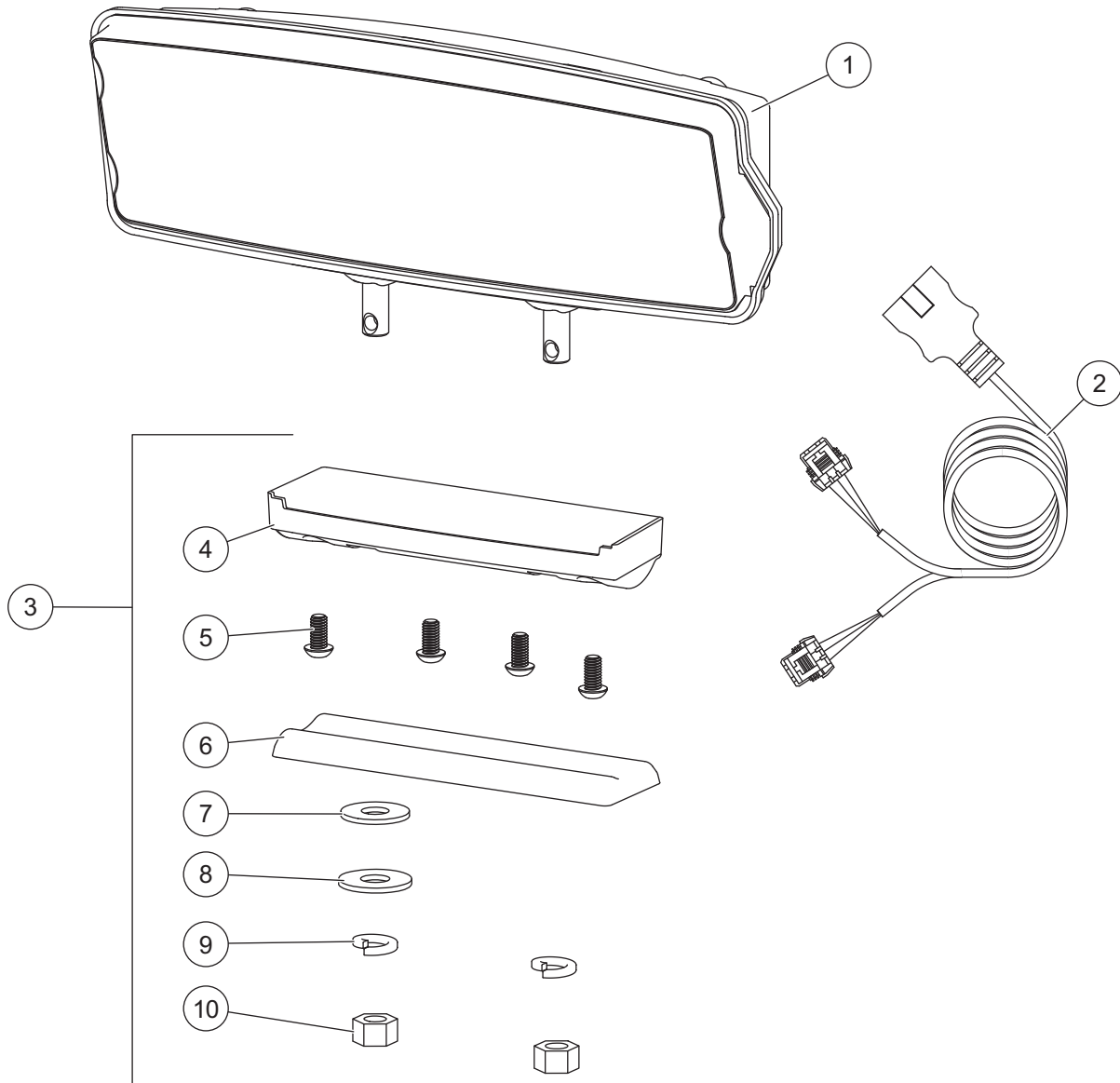
38800 Headlamp Kit H9/H11 (pair)							
Item	Part	Qty	Description	Item	Part	Qty	Description
1	38802	1	Headlamp Service Kit H9/H11 – PS	2	38807	1	Harness Service Kit H9/H11
ns	38801	1	Headlamp Service Kit H9/H11 – DS				
<b>Item 1</b>	<b>38801/38802 Headlamp Service Kit H9/H11 – PS/DS</b>						
3	38803	1	Rear Cover Kit H9/H11 – PS	6	38811	1	Headlamp Bulb Service Kit H11
ns	38812	1	Rear Cover Kit H9/H11 – DS	7	38809	1	Headlamp Bulb Service Kit H9
4	38804	1	Mounting Hardware Kit H9/H11	8	38808	1	Cover Screws Service Kit H9/H11 (pkg of 4)
5		1	Park/Turn Bulb (trade no. 4157NAK)				

ns = not shown



# MIDWEIGHT™ & PRO-PLOW® Series 2 CTR ASSEMBLY 75200-1/75210-1(CH)

## Headlamp Kit – LED



Headlamp Kit LED							
Item	Part	Qty	Description	Item	Part	Qty	Description
1	39901	1	Headlamp Service Kit LED – DS	3	39903	1	Mounting Hardware Kit LED
ns	39902	1	Headlamp Service Kit LED – PS	ns	72512	1	LED Harness Connector Cover (pkg of 2)
2	72548	1	Harness Service Kit LED	<b>Item 3 39903 Mounting Hardware Kit LED</b>			
4		1	Plastic Casing	8		1	1/2 Flat Washer
5		4	1/4 Button Cap Screw	9		2	1/2 Lock Washer
6		1	Headlamp Swivel	10		2	1/2 Hex Nut
7		1	1/2 Rubber Washer	ns		1	Metal Insert

ns = not shown



Western Products  
PO Box 245038  
Milwaukee, WI 53224-9538  
[www.westernplows.com](http://www.westernplows.com)

 A DIVISION OF DOUGLAS DYNAMICS, LLC

Copyright © 2019 Douglas Dynamics, LLC. All rights reserved. This material may not be reproduced or copied, in whole or in part, in any printed, mechanical, electronic, film, or other distribution and storage media, without the written consent of Western Products. Authorization to photocopy items for internal or personal use by Western Products outlets or snowplow owner is granted.

Western Products reserves the right under its product improvement policy to change construction or design details and furnish equipment when so altered without reference to illustrations or specifications used. Western Products or the vehicle manufacturer may require or recommend optional equipment for snow removal. Do not exceed vehicle ratings with a snowplow. Western Products offers a limited warranty for all snowplows and accessories. See separately printed page for this important information. The following are registered (®) or unregistered (™) trademarks of Douglas Dynamics, LLC: MIDWEIGHT™, POLY PRO-PLOW® Series 2, PRO-PLOW® Series 2, SECURITY GUARD™, ULTRAFINISH™, UltraMount® 2, WESTERN®.

**Printed in U.S.A.**