

**This Manual Must be Read Before Operating The Equipment**

# **Owner/Operator's Manual**



**INNOVATIVE TURF SOLUTIONS**

**FOR MODEL**

**RS7200**



**CUSTOMER COPY**

Madison Heights, Michigan 48071  
800-725-8377  
[www.turfexproducts.com](http://www.turfexproducts.com)

General Information .....	3
Introduction .....	4
Safety .....	5-11
Specifications .....	12
Assembly Instructions .....	13
Drivers Training .....	14-19
Calibration .....	20-23
Maintenance.....	24-27
Troubleshooting .....	28-33
Warranty .....	34
Assembly Views .....	35
Main Frame Parts Breakdown .....	36-37
Engine Parts Breakdown .....	38-39
Handle Parts Breakdown .....	40-41
Dashboard Parts Breakdown.....	42-43
Plumbing Parts Breakdown .....	44-45
Gate Parts Breakdown .....	46-47
Hopper & Tank Parts Breakdown .....	48-49
Sulky Parts Breakdown .....	50-51
Notes .....	52-53

**Have a question or need assistance?**

**TurfEx Customer Care**

**(866) 5TURFEX**

**or (248) 586-3500**

**Monday through Friday 8:00 AM to 4:30 PM EST**

**Fax: (248) 691-8378**

**E-Mail: [customercare@trynexfactory.com](mailto:customercare@trynexfactory.com)**

**Website: [www.turfexproducts.com](http://www.turfexproducts.com)**

# General Information



## CONGRATULATIONS!

The Turfex product you have purchased is an example of turf management product at its finest! Your Turfex product 's, self contained design is a trademark of all Turfex products. Here's why...

**SIMPLICITY:** Fewer moving parts manufactured of higher quality means minimal maintenance for your Turfex product.

**RELIABILITY:** High impact linear low density polyethelyne hopper, custom engineered Stainless Steel frame.

**VERSATILITY:** Multi-use capabilities allows spreading of a variety of materials.

**WARRANTY:** Two years parts and labor from date of installation.

The benefits you are about to recognize are that of time, money and effort.  
We welcome you to the world of Turfex Performance.

## Registration

Record the following information in this manual for quick reference.

Spreader Model Number \_\_\_\_\_

Spreader Serial Number \_\_\_\_\_

Date of Purchase \_\_\_\_\_

Dealer Where Purchased \_\_\_\_\_

When ordering parts, the above information is necessary. This will help to insure that you receive the correct parts.

At the right is a diagram of the ID tag. This tag is located on the frame (where applicable).

Please fill out the warranty card with all the necessary information to validate it. This will also give us a record so that any safety or service information can be communicated to you.



This manual has been designed for your help. It will assist you and instruct you on the proper set-up, installation and use of this spreader.

Refer to the table of contents for an outline of this manual.

We require that you read and understand the contents of this manual completely (especially all safety information) before attempting any procedure contained herein. Extra copies of Owner/Operator Manuals can be purchased at your Turfex Dealer.



**THIS SIGN SHOULD ALERT YOU:**

The Society of Automotive Engineers has adopted this **SAFETY ALERT SYMBOL** to pinpoint characteristics that, if **NOT** carefully followed, can create a safety hazard. When you see this symbol in this manual or on the machine itself, **BE ALERT!** Your personal safety and the safety of others is involved.

Defined below are the **SAFETY ALERT** messages and how they will appear in this manual:



**DANGER**

(RED)

Information that, if not carefully followed, can cause death!



**WARNING**

(ORANGE)

Information that, if not carefully followed, can cause serious personal injury or death!



**CAUTION**

(YELLOW)

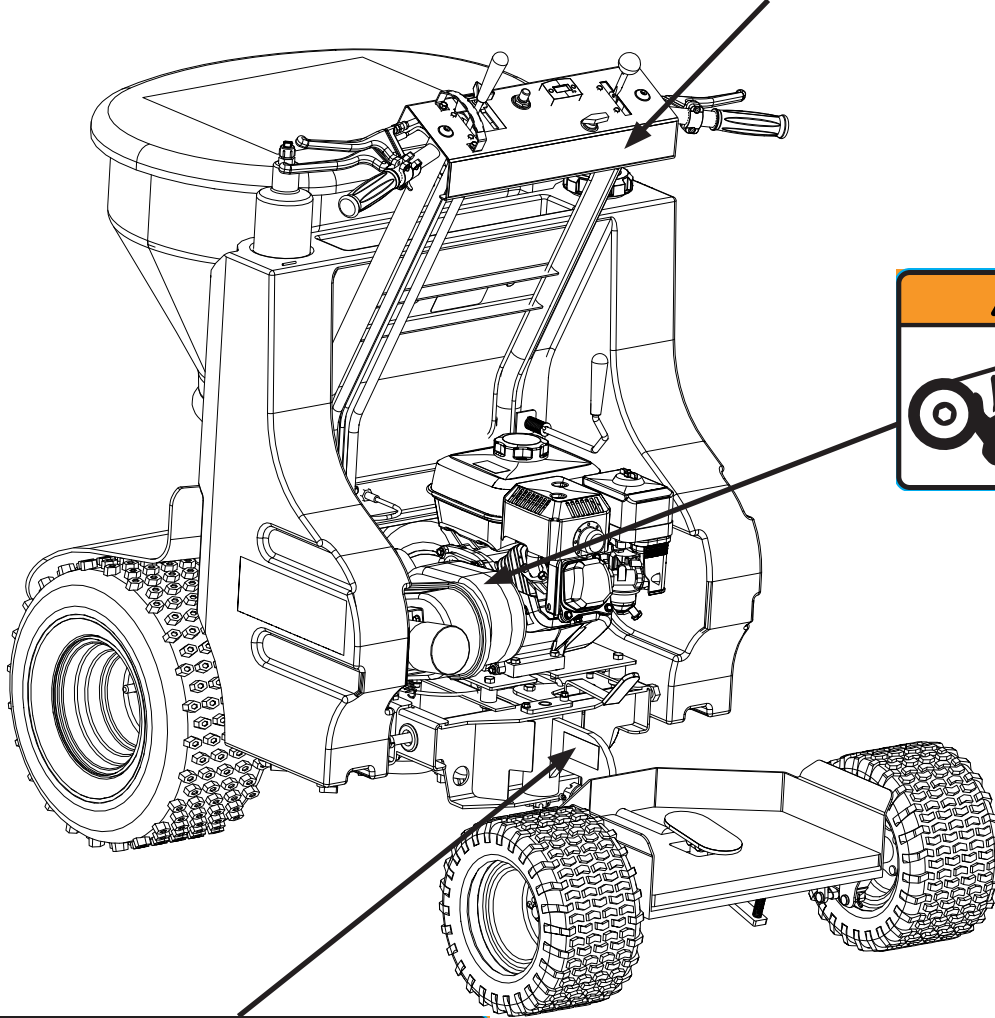
Information that, if not carefully followed, can cause minor injury or damage to equipment

**! DANGER**

**! WARNING**

**! CAUTION**

<p><b>! WARNING</b></p> <ul style="list-style-type: none"> <li>• Trained operators only</li> <li>• Read owner's manual before operating this equipment</li> </ul>	<p> • Read safety instructions</p> <p>• Read all warning labels</p> <p>• Adhere to eye and hand protection requirements</p>	<p> This unit emits harmful carbon monoxide gas which can cause injury or death.</p> <ul style="list-style-type: none"> <li>• DO NOT operate this equipment without adequate ventilation.</li> <li>• See owner's manual for information regarding carbon monoxide poisoning.</li> </ul>	<p> Safety goggles &amp; hand protection must be worn while operating this equipment.</p>	<p>To ensure safe operation of this equipment:</p> <ul style="list-style-type: none"> <li>• NEVER operate in areas where traction and control of unit are compromised</li> </ul> <p>Refer to safety section for details.</p>
---	---	---	---	--



**! WARNING**

DO NOT operate this equipment without factory guards in place. Contact with exposed and moving parts can result in severe injury.

**! WARNING**

**PINCH POINT**

Keep hands and feet away. Injury can result.

## Important

**Always have safety switch lanyard attached to Operator**

## Owners Responsibility

To avoid injury: The owner is responsible for training himself and all other operators and mechanics. Before starting the engine and/or operating the machine, each operator must read and understand the Owners Manual. Training **MUST** include SUPERVISED driver's training with adequate time to practice for the Operator to become competent in operating the machine in all conditions.

It is the owners responsibility to perform the maintenance as described in the Maintenance section. The owner/user can prevent and is responsible for accidents or injuries occurring to themselves, other people or property.

### **WARNING** Supervised Driver's Training is Required for all operators and mechanics

An untrained operator or mechanic can cause an accident serious injury to himself or bystanders.

- All operators and mechanics **MUST** be trained. The owner is responsible for training the users.
- Driver's Training should be conducted under the direct supervision of an experienced operator.
- The Driver's Training section provides a step by step outline of what shall be covered during training.
- The trainer shall supplement the training procedures provided in the Driver's Training and Operation section with any additional instruction he deems necessary to ensure the safe operation of the RS7200. The trainer should add additional instruction as necessary to provide the Trainee with additional useful information.
- The trainer should supplement the presentation of material in the Driver's Training and Operation section with instruction and references to all **WARNING** messages that appear in the Safety Manual and machines Safety Labels.
- At each point where the trainee is to learn a new phase of driving the machine, the trainee **MUST** be provided adequate practice time to demonstrate the ability to satisfactorily control the machine while starting, stopping, turning, getting on and off, or other tasks described in that point before proceeding to the next phase.
- Initial training should take place on a flat open area free of obstructions with the RS7200 in 1st gear.
- As the trainee progresses to more advanced phases of training the degree of difficulty may be increased, but at each phase the initial training must begin on terrain that has a low degree of difficulty. This is particularly important to keep in mind when learning how to operate on inclines and slopes.
- The trainer shall demonstrate the principles covered in each phase.

### **WARNING** Minimum Operator Qualifications

An Operator of this machinery must meet the following qualifications:

- The operator must be an experienced professional lawn care technician who possess a demonstrated ability to apply fertilizer and pesticide products correctly.
- The operator must meet all state Pesticide Applicator Certification requirements.
- The operator must be at least 18 years old.
- The operator must be physically fit and able to lift 50 pounds with ease.
- The operator must weigh between 120 and 300 pounds.
- Has read and understands the information contained in this manual. Never let children or untrained persons operate or service the equipment. Local regulations may restrict the age of the operator.

### **WARNING** Personal Protection Equipment (PPE)

- Always read and follow Pesticide labels and MSDS sheets requirements for Personal Protection Equipment
- Wear substantial water proof footwear and tightly secure all laces and straps.
- Do Not wear shorts. Instead always wear close fitting clothing and jackets to prevent clothing from getting caught on the handle bars and other control levers.
- Wear appropriate clothing including hard hat, safety glasses and hearing protection. Long hair, loose clothing, straps, shoelaces or jewelry may get caught in moving parts.

### **WARNING** Safety Devices

Do Not Operate machine unless all Safety Devices are in place and in good working condition. Safety Devices include:

- Machine Safety Labels.
- Operator Presence Control/Throttle/Centrifugal Clutch. Letting go of the Throttle lever disengages power to the drive wheels.
- Front Brakes with lock. Front Brake has a spring to limit the force applied to reduce possibility of lock-up. Locked brakes are parking brakes.
- Safety Kill Switch wire is attached to operator.
- Slip Resistant footpads.
- Belt guard securely fastened.
- Neutral Safety Switch which prevents the RS7200 from starting in gear.
- Fluid filled tires which provide ballast for a lower center of gravity.

## **WARNING**

Avoid Serious Injury!

- Do Not change the engine governor setting or over speed the engine. The top engine speed when the machine is in Neutral is 3450 RPM. Use the electronic multifunction display to monitor the top speed and make adjustments as necessary.
- Never shift gears while the machine is moving as this may cause a rapid slowdown or stop the front wheels causing loss-of-control or a tip over. Always, stop the the machine before shifting gears.
- Only operate in good visibility conditions. Avoid holes and inspect work area for hidden hazards before starting machine engine.
- Be sure the machine is in neutral and all brakes are locked before starting engine.
- Use caution stepping on or off the sulky to avoid tripping. Never use machine without sulky or operate on wet grass.
- Use extra care when operating this machinery on inclines or slopes. Be sure to refer to the Operator's Manual for specific instructions regarding operating the machinery on slopes and/or inclines. Turf conditions can affect the machine's stability. Use caution while operating near drop-offs or other hazards.
- Never operate with the guards not securely in place. Be sure all interlocks are attached, adjusted properly, and functioning properly before starting the engine.
- Stop on level ground, lock all brakes, shut off engine and shift into neutral before leaving the operators position for any reason.
- Keep hands, feet, clothing and loose objects away from moving parts and pinch points.
- Never carry passengers. Keep a safe distance between the machine and all third parties.
- Slow down and use caution when making turns and/or crossing roads and sidewalks.
- Do not operate the machine under the influence of alcohol or drugs.
- Use care when loading or unloading the machine into a trailer or truck.
- Avoid distractions, including but not limited to cell phones and mp3 players, while operating this machine. Operators must concentrate and focus on the safe use of this machinery at all times.
- Keep a firm hold on the handle bars at all times.
- Do Not touch hot muffler while running or after shutdown.
- Wear eye protection and necessary Personal Protection Equipment (refer to Pesticide Label) when using compressed air or water to clean the machine.

## Operation

## **WARNING**

## Inspecting Work Area

Prior to operating, carefully inspect the work areas for hazards or uneven ground that may hidden in the grass.

- Clear the work area of moveable objects such as branches, wires, rocks, glass etc. That may interfere with the machine.
- Mark the location of all immovable objects or irregular areas.
- Avoid hitting obstacles such as holes, abrupt changes in ground contour, branches, stumps, roots, protruding pipes, paving edges, etc. that could unexpectedly turn, stop, or upset the machine possibly throwing you off, into or over the handle bars causing serious injury or death. **The faster you are moving, the more potential there is for injury.**
- Keep away from drop-offs, the edges of ponds, streams, pools, etc. especially at the bottom of slopes.

Evaluate the terrain.

- Determine what accessories and attachments are needed to properly and safely perform the job. Only use accessories and attachments approved by the manufacturer.
- Study the terrain and plan a safe operating pattern. if no safe operating pattern exists Do Not attempt to drive the RS7200 in that area.
- If hills are present, refer to additional Warnings in Hillside Operation in this section.

Evaluate the Turf Conditions.

- Do Not operate if conditions are wet or there is low light.

## **WARNING**

## Fuel Safety

Use extra care when handling gasoline and other fuels. They are flammable and vapors are explosive.

- Always shut off fuel valve when transporting or storing the machine.
- Never remove gas cap or add fuel when engine is running or hot. Allow it to cool first.
- Do Not smoke and stay clear of any sparks or open flames.
- Never refuel or drain the machine indoors. Move machine out doors instead.
- Clean up fuel spills immediately. Do Not attempt to start the machine near a fuel spill. If fuel is spilled on clothing; Do Not attempt to start the machine, stay away from open flames, sparks or other sources of ignition, and change clothing.

The engine gives off carbon monoxide, a poisonous gas.

- Do Not run engine in an enclosed area or indoors.

Prevent fires.

- Keep engine clean and free from debris.
- Clean up spilled fuel.
- Check and repair leaking fuel lines, fittings and cap.
- Do Not park near an open flame or other source of ignition, such as a furnace or water heater.

## **WARNING**

### **Inspect Machine before each use**

Examine the machine prior to each use. Do Not use the machine if any parts are not in good working condition.

- Check for worn tires, cracks in parts, loose or missing bolts, cotter pins etc. and replace or repair before operating.
- Make sure all safety devices are present and in good working order, including all the safety labels, Shields, Brakes, the Neutral Safety Switch System, and Throttle/Centrifugal Clutch which disconnects the power to the drive wheels when released. (To test the Brakes, Neutral Safety Switch System, and Throttle/clutch, follow instructions in the Driver's Training and Operation section of this manual.)
- Make any necessary repairs or adjustments before starting the engine and/or operating the machine.

## **WARNING**

### **Engine Starting Safety**

Do Not attempt to start the machine if any of the following apply:

- You are in a confined space.
- You or someone else could be trapped between the machine and a solid obstacle should the machine unexpectedly move upon startup. Remember to check for low hanging obstacles such as tree branches, clotheslines, etc.
- You are not certain of firm, dry, level footing to prevent loss of balance

Before attempting to start engine:

- You must move the machine to a solid, level, dry, open area before starting the engine.
- Verify the machine is in Neutral. The machine rolls forward easily in neutral.
- Lock front brake and apply the sulky brake.
- Do Not operate the Throttle.

Do Not attempt to start or operate the machine if:

- The Neutral Safety Switch System or any other safety device is not working.
- The Throttle/Clutch does not move freely and automatically and rapidly return to the idle position.
- The idle engine speed exceeds 1650 RPM upon starting.
- The machine unexpectedly moves upon starting or when shifting gears.

## **WARNING**

### **Avoiding slipping or tripping injury**

Use caution when riding on, and getting on and off the RS7200.

- Keep a firm grip on the handles with both hands.
- Stand only on the footpads. .
- Keep footpads clean.
- Replace worn or damaged footpads.

## **WARNING**

### **Forward Operation**

Loss-of-control may cause death or serious injury.

- Always keep a firm grip on the handlebars with both hands.
- Operate the machine in 1st Gear until you become familiar with it.
- Never operate the machine at a greater speed than is reasonable in light of the conditions presented.
- Only operate in 1st Gear on slopes, inclines, bumpy ground, or high grass.
- Avoid sudden starts, stops and turns as they may cause you to lose your balance and be thrown from the machine.

## **WARNING**

### **Reverse Operation**

Loss-of-control may cause death or serious injury.

- Always keep a firm grip on the handlebars with both hands.
- Do Not back up if there is a possibility you or a bystander could become trapped between the machine and an immovable object or barrier.
- Always look behind and down before backing up to be sure of a clear path.
- Always look behind and up before backing up to be sure the path is clear of low hanging obstacles such as tree branches, clothes lines, and low doorways.
- Use extra caution backing up when in an enclosed area.
- Backup slowly, until you become familiar with how the machine handles.
- Never coast backwards. Instead back up under power and in Reverse Gear with the Throttle engaged using the brakes as necessary.
- Use extra caution backing from an awkward location or position.
- Keep both feet firmly on the footpads whenever possible.
- Backing up while in the walking position is hazardous and in most cases can and should be avoided. However, when backing up from the walking position is unavoidable (such as when unloading the machine from a trailer), use extreme caution.



## **WARNING**

### **To avoid Loss-of-control, Tip-over, and Rollover**

Loss-of-control, tip-over or rollover may cause death or serious injury. This machine has a high center of gravity and turf conditions affect stability. Slopes are a major factor in loss-of-control, tip-over, and rollover accidents.

- Never shift gears while the machine is moving as this may cause a rapid slowdown or stop the front wheels causing loss-of-control or a forward tip over. Instead, bring the machine to a complete stop before shifting gears.
- Study the terrain before beginning work and plan a safe operating pattern. If the area at issue will not accommodate a safe operating pattern, Do Not attempt to drive the RS7200 in that area.
- Do Not operate on slopes or inclines where traction and stability are doubtful.
- Do Not ride on slopes exceeding 15 Degrees. Read Machine Safety Label and Safe, Balance Zone, sections for details on estimating 15 degree slopes before starting or operating the RS7200.
- Never operate on wet slopes.
- Look for holes, ruts, rocks, and other hidden hazards in the work area before starting work. Uneven terrain can overturn the machine. Tall grass can hide hazards.
- Do Not operate near drop-offs, ditches, or bodies of water.
- Keep a firm grip of the handlebars with both hands at all times.
- Slow down and lean into turns for better balance and to transfer your weight to the inside wheels to prevent loss-of-control, tip over, or rollover.
- Tires with excessively worn tire tread are dangerous on slopes or inclines. Replace tire(s) with less than 1/4" of tread remaining. Only use liquid filled tires supplied by Turfex. Maintain tire pressure at 12 PSI. Higher pressures will cause the tires to lose traction and under inflated tires will cause instability.
- Do Not attempt to climb over curbs and parking blocks while operating the RS7200 at a high speed as this may cause a forward tip-over.
- To help avoid Loss-of-control, tip over, and rollover, use extreme caution on inclines, and slopes and:
  - Use 1st Gear to provide improved traction and a slower ground speed.
  - Travel across the grade. Begin at the bottom of the slope and work your way up.
  - Avoid traveling straight down a slope. When descending a slope, zigzag or slalom across the grade gradually downwards using the brakes to slow the machine.
  - Lean uphill at all times to provide better balance and to transfer weight to the uphill tires.
  - Slow down and avoid sharp turns and sudden starts and stops.
  - Reduce the amount of granular and liquid products carried.
  - Apply rear brakes first and then front brakes.

Operate the RS7200 as a walk-behind unit in situations where loss-of-control, tip-over, or rollover is possible.

**When traveling up a slope, be aware that** the drive tires have reduced traction and there is greater risk that the machine could tip backwards.

Recommendations for driving up an incline or slope:

- Lean forwards to provide better balance and to transfer more weight to the front drive wheels. Refer to the driver's position illustrations in Driver's Training and Operation section of this Manual for details.
- Accelerate gently. Accelerate slowly. Accelerating too quickly may result in a loss of traction.
- Do Not make sharp or quick turns. Making sharp or quick turns may cause you to lose your balance and be thrown off the machine or cause a side rollover.
- In areas of poor traction, operate the machine as a walk behind unit.
- If you experience a loss of control while driving the machine on an upward slope, lower the handlebars as you step backwards off the operator's platform and apply the brakes. Once the brakes are applied, take corrective action.
- Backing down a slope is a hazardous maneuver which should be avoided. To avoid backing down a slope; stop the machine, apply the brakes, step off the Driver's platform, steer the front of the machine across the grade, and gradually engage the Throttle/Clutch. If backing down a slope is unavoidable (such as when unloading the machine from a trailer), use extreme caution. Read Safety Manual Warning 13, Reverse Operation, for details on backing up.

**When pointing downhill**, the weight and traction is transferred to the front drive wheels. Avoid driving the machine at this angle as the machine may tip over.

Recommendations for driving downhill:

- Lean backwards as you travel downhill to provide better balance for you and transfer more weight to the rear wheels. If necessary, extend your arms and squat down backwards with arms extended to transfer more weight further to the rear.
- Do not change speed suddenly. Do Not accelerate. Decelerate gently by applying the rear brakes first followed by the front brakes.
- Use extreme caution when turning. Do Not make sharp turns as you may lose your balance and/or be thrown from the machine or lose control. When making turns, slow down and make gradual turns.
- Zigzag or slalom slowly and gradually downhill traveling across the grade using both brakes to slow your speed. The steeper the slope the more gradual the slaloms should be between the switchbacks.
- Avoid any obstacles that could suddenly stop the front wheels causing a tip over.
- If you ever lose control while driving down a slope, let go of the handles and jump off to the rear, if necessary.
- Backing uphill is a risky maneuver which should be avoided. To avoid backing uphill; stop the machine, apply the brakes, step off the Driver's platform, steer the front of the machine across the grade, and gradually engage the Throttle. When backing uphill is unavoidable, use caution. Read Safety Manual Warning "Reverse Operation", for details on backing up.

## **WARNING**

### **To avoid Loss-of-control, Tip-over, and Rollover (con't)**

**When pointing across an incline, slope or hill sideways**, the weight distribution between the front drive wheels and the rear wheels is similar to level ground. However, more weight is transferred to the lower wheels which may cause the machine to rollover towards the downhill side.

This is the preferred angle for driving on gentle slopes.

Recommendations for driving across a hillside:

- Lean uphill to provide better balance for you and transfer more weight to the uphill wheels.
- Do Not change speed suddenly.
- Do Not make sharp turns as you may lose your balance and be thrown off the machine or loose control. When making turns, slow down and make gradual turns. The machine also has a tendency to rollover when performing this maneuver.
- Avoid making downhill turns as the machine will accelerate through the turn making it more difficult for you to keep your balance and control over the machine so as to prevent rollover.
- Avoid any obstacles that could suddenly pitch the front uphill wheel upwards causing a rollover towards the downhill side.
- If you ever lose control while driving across a slope let go of the handles and jump off to the uphill side of the machine, if necessary.

Backing up across the grade is a maneuver which should be avoided. To avoid backing up; stop the machine, apply the brakes, step off the Driver's platform, steer the front of the machine in the desired direction, and gradually engage the Throttle. When backing up is unavoidable, use caution. Read Safety Manual Warning "Reverse Operation", for details on backing up.

## **WARNING**

### **Transporting**

Driving up and down ramps is hazardous. The risks include tipover, rollover, loss-of-control, and back-over.

Use extreme caution when driving the RS7200 onto and off of a Transport, (such as a vehicle, carrying rack, or trailer).

- When loading and unloading, park the Transport on level pavement well away from puddles, obstacles, and curbs that may cause the operator to lose his footing or become entrapped. Allow adequate room for the ramps to be deployed and the machine and operator to come straight on or off the Transport platform and ramps.
- To prevent a ramp from slipping out from under the machine, make sure the ramp is securely fastened to the Transport platform and the ramp and machine wheels are properly aligned with each other.
- Never unload a RS7200 by shifting it into Neutral and allowing it to freewheel backwards down a ramp. Rather, the driver must start the RS7200 while on the Transport platform, shift the engine into Reverse, and inch the machine down the ramp under power using the brakes as necessary. Read Safety Manual Warning "Reverse Operation", for required precautions while operating the RS-7200 in reverse.
- If there is not adequate standing room for the operator on the Transport platform, the machine should be started while the operator is standing on the ground.
- If an enclosed Transport is used, use extra caution starting and operating the RS7200 inside the enclosure.

Transporting the machine over the road can be hazardous. The risks include but not limited to traffic accidents, failure of Transport system, and ejection of the machine from the Transport.

Transporting the RS7200 requires a heavy duty Transport capable of safely carrying a fully loaded RS7200 weighing 700 lbs plus the weight of all materials carried on the transport.

- Follow other Transport manufacturer's precautions and always use all safety devices provided.
- DO NOT overload or unbalance the Transport or hitch.
- Use only heavy duty ramps with a minimum width of 8.5 inches and an anti-slip surface capable of supporting 1000 lbs. or the combined weight of the machine and driver whichever is greater. The ramp angle must be 15 degrees or less.
- To prevent the machine from being thrown from the transport, always secure the machine to the Transport's platform. Use securing devices provided by the manufacturer or securing devices each securing device or all securing devices together must have a minimum load rating of 1,400 lbs. Elastic straps and similar devices are NOT to be used.
- Check Transport, ramps, hitch, and securing devices each time they are used.
- Check carefully for cracked welds or cracked parts, loose or missing hardware, excessive wear or damage, or missing or nonworking safety and securing devices.
- When a carrying rack is used, check for damage caused by the rear edge dragging or bottoming out on the pavement. This can result in structural failure of the rack, hitch and vehicle frame or hardware.
- Do Not use the Transport if it is not in good working condition. Make necessary repairs or replacements before using.

## **WARNING**

### **Check wheel Fasteners**

If wheel fasteners are not tight, a serious accident may occur.

- Check wheel fastener tightness frequently during the first 10 hours of operation.
- After loosening any wheel fasteners, frequently check their tightness for the next 10 hours of operation.

## **WARNING**

Anytime you leave the operator position, you must:  
Stop on level ground.

- Turn off the engine.
- Lock Brake Lever.
- Shift into Neutral

Never leave the machine unattended on an incline or slope where someone could disengage the brakes and the machine could roll.  
When leaving the machine unattended, close fuel shut off valve.

## **WARNING**

### **Parking**

### **Tire Safety**

Tires are filled with pressurized windshield washer solution to provide ballast for a lower center of gravity. Explosive separation of rim and tires may cause serious injury.

- DO NOT remove fluid from tires.
- All replacement tires must be fluid filled.
- Wear a face shield when checking, filling, and repairing fluid filled tires.
- Do not attempt to check, repair or replace fluid fill tires without the proper equipment.
- Use a clip-on chuck and extension hose. Stand to the side of the tire when filling.
- Always maintain tire pressure at 12 PSI. Do not under or over inflate tires.
- Rear tires have split rims. Release tire pressure prior to loosening any nuts or bolts.
- Never weld or heat the tire rims as this could cause a tire explosion or structural damage to the rim.
- Check tires often for cuts, wear, bubbles and missing or loose lug nuts. Check pressure often.
- Fix or replace worn or damaged tires, rims, and hardware.
- Always replace tires with genuine Turfex liquid-filled tires and rims.

## **WARNING**

### **Maintenance and service**

Improper maintenance can cause serious injury.

- Lock brakes, stop engine and disconnect spark plug wire. Wait for all movement to stop before adjusting, cleaning or repairing .
- Clean grass and debris from drives, mufflers, and engine to help prevent fires. Clean up oil or fuel spillage.
- Let engine cool before storing and do not store near flame.
- Shut off fuel while storing or transporting. Do not store fuel near flames or drain indoors.
- Park machine on level ground. Never allow untrained personnel to service machine.
- Use jack stands to support components when required.
- Carefully release pressure from tires and spray system.
- Remove spark plug wire before making any repairs.
- Keep hands and feet away from moving parts. If possible, do not make adjustments with the engine running.
- Keep all parts in good working condition and all hardware tightened.
- Replace all worn or damaged Machine Safety Labels.
- Replace worn or damaged footpads.
- Perform all scheduled maintenance as directed in the Service Manual

## **WARNING**

### **Pesticide Safety.**

The improper use, handling, application, and disposal of pesticide products applied by this machine may cause death or serious injury.

- Read and follow product label and Material Safety Data Sheet (MSDS) precautions for handling, mixing, applying, and disposing of pesticides applied by this machine. Some materials may present health hazards that will require the use of Personal Protective Equipment (PPE). Always wear required PPE.
- Keep required PPE available for use by the operator or mechanic at all times.
- Keep pesticide labels and MSDS available for the operator or mechanic at all times.

## **WARNING**

### **Handling and disposal of hazardous waste products.**

Dispose of all hazardous waste products properly.

- Clean up hazardous waste spills immediately.
- Refer to the Pesticide Label for proper handling and disposal instructions.
- Refer to MSDS for proper handling and disposal instructions.
- Wear the Personal Protective Equipment specified on MSDS and Pesticide Labels.
- Before disposing of hazardous waste check with your local regulatory agency.

# Specifications



Model # RS7200

## ENGINE

- Engine Model: Honda GX Series
- RPM: Full speed: 3450 rpm (no load) Idle: 1400 rpm.
- Centrifugal Honda™ wet clutch with 2:1 reduction.
- Speed: 3.5mph (1st Gear) 5.0 mph (2nd Gear)
- Fuel tank: 0.82 gal Honda fuel tank on engine
- Type of fuel: Regular unleaded gasoline.
- Fuel shutoff valves: Located on engine and below tank.

## TRANSMISSION

- Transmission Model: Peerless 855-001C. (reverse, neutral and 2 forward gears)

## TIRES AND WHEELS

- Front tires: 18 x 950 – 8, Windshield Washer Solution added for ballast and traction.
- Rear tires: 13 x 650 – 6 Windshield Washer Solution added for ballast and traction.

## SPREADER

- Capacity: 150 lb.

## SPRAYING SYSTEM

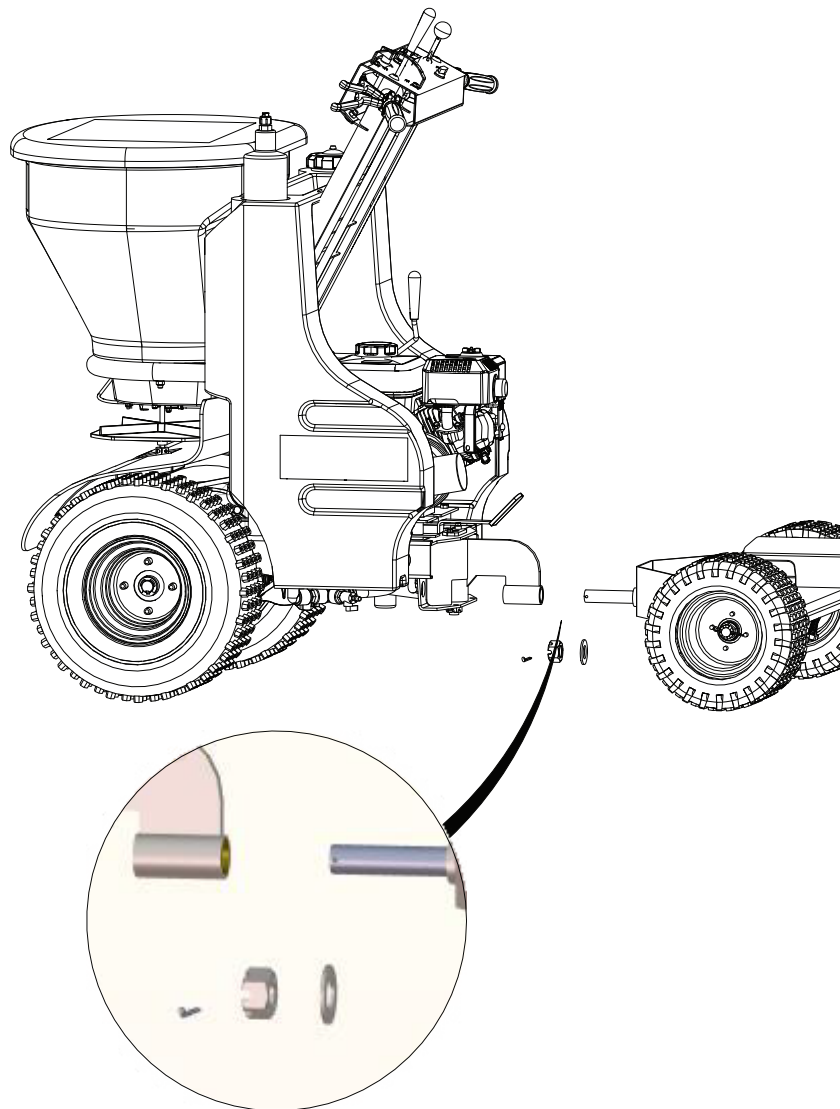
- Spray Pump: Flo-jet™ 2GPM belt-driven diaphragm pump.
- Tank: 17.0 gallon (64.4 L) capacity.
- Nozzles: 1.0 GPM Broadcast Polymer and 1.5 GPM Broadcast Polymer, 0.8 GPM Fan ER Polymer and 1.0 GPM Fan ER Polymer (trim).
- Spray Patterns: 6' to 11' wide pattern for general spraying, 3' narrow pattern for trim spraying.
- Spray Pressure: Regulated to 25 psi to match ground speed with tip output.
- Spray Rate: Adjustable from 1/4 to 1/2 gallon per thousand square feet.

## DIMENSIONS

- Overall length: 60.0".
- Overall width: 35.5".
- Overall height: 55.0".
- Weight: 415 lb. dry, 700 lb. full, 900 lb. full with 200 lb. rider.

## ELECTRICAL SYSTEM

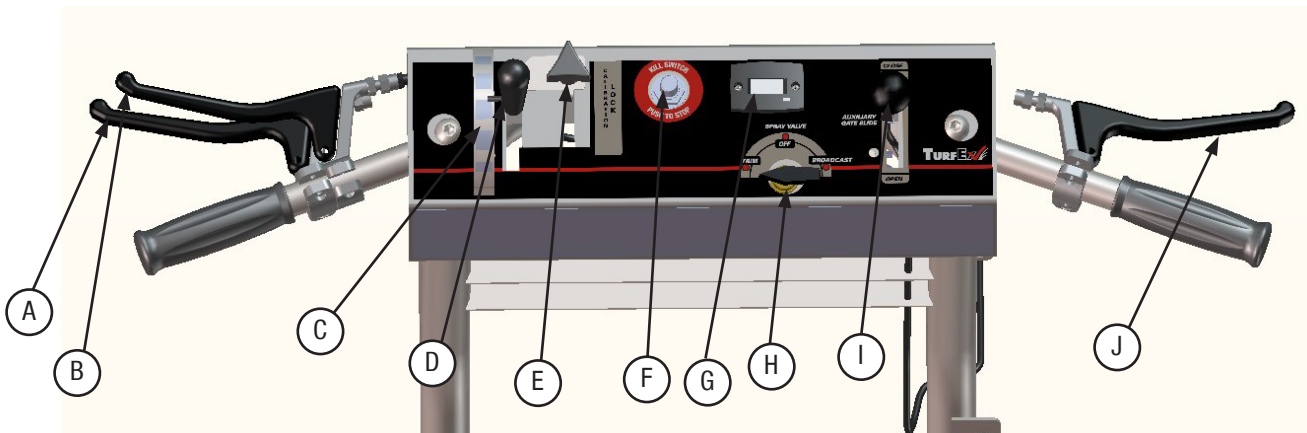
- Safety interlock system: This machine is equipped with a neutral safety start module. To start the engine, the transmission must be in the neutral (N) position.



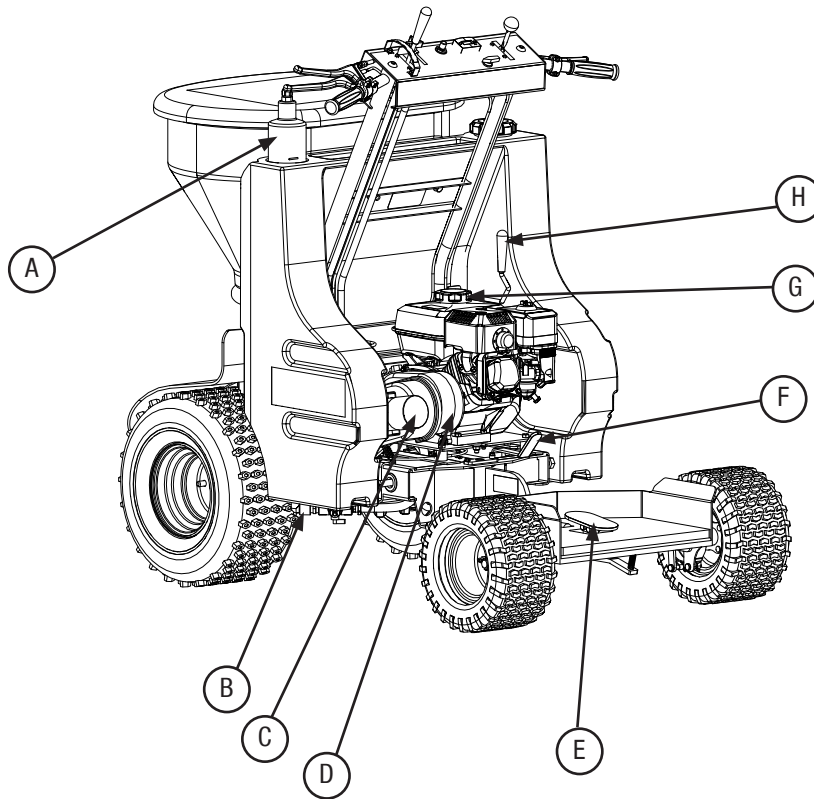
- 1) Align Sulky with Pivot and fasten with (1) D4321 Washer, (1) F50209 Slotted Hex Nut and (1) D5919 Cotter Pin (as shown above). Make sure to grease before use.
- 2) Fill engine and clutch with oil before use. (Refer to the Honda Manual)
- 3) Tune engine to 3450rpm's before using. (Refer to the Honda Manual)

## **WARNING**

**Do Not** attempt to start or operate this machine until you have read and are thoroughly familiar with this Operator's Manual. **Read it now before Beginning.** All operators and mechanics must be trained before operating this Machine.

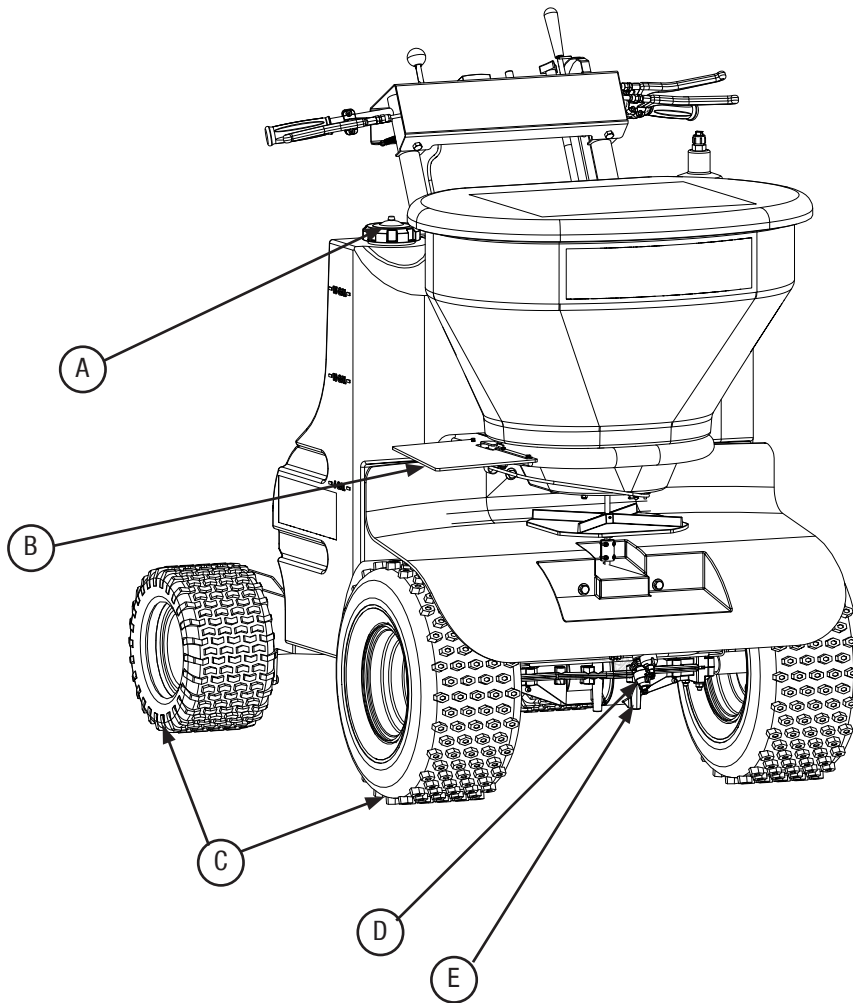


- A. **Spray Control Handle** opens a valve when spraying is desired. Like the Brake Levers it has a lock to permit continuous spraying. Additional details about the spray controls will be provided in the Sprayer Operator section of this manual.
- B. **Brake Handle with Lock** controls the front brake on the Transaxle. Pulling the lever activates the Front Brake. The Front Brake Lever can be locked in the pulled position by pushing the lock button on the lever with your finger. The Lock is automatically released by pulling the lever again. A Spring controls the amount of force applied to the Front brake.
- C. **Main Gate Indicator**
- D. **Main Gate Control**
- E. **Main Gate Indicator Lock**
- F. **Safety Shutdown Switch** (WARNING Be sure lanyard is attached to operator at all times) turns the engine off and permits it to be started. It is part of the Neutral Safety Switch System to prevent the Machine from starting in Gear.
- G. **Hour & RPM Meter** to monitor RPM's and Hour's for Maintenance.
- H. **Spray Control Knob**
- I. **Auxiliary Gate Control** opens and closes the pattern adjustment Slide Plate below the spreader's Third-Hole (left hole looking from the Operator's position). It is to be closed whenever the Deflector is lowered to reduce the amount of granular product distributed to the right side of the machine. It also functions in the partially closed position to balance the spreader pattern. Pulling the lever rearwards closes the Third-Hole.
- J. **Throttle Control Lever** the Lever controls engine speed. The engine speed increases as the lever is pulled and the Centrifugal Clutch automatically engages sending power to the Transaxle though a belt and pulley system. Releasing the Throttle Lever decreases engine speed and disengages power to the Transaxle.



- A. Spot Spray Bottle for hard to reach areas.
- B. Tank Clean Out conveniently located for ease of draining.
- C. Manual Tube to store manuals for machine.
- D. Belt Guard to protect operator from moving parts.
- E. Sulky Brake
- F. Shift Lever
- G. Fuel Cap
- H. Material Deflector Lever to operate side deflector.





- A. Tank Lid
- B. Material Deflector
- C. Fluid Filled Tires
- D. Broadcast Nozzle
- E. Trim Nozzle



## Adding gasoline.

Move the machine outdoors, and

- Emphasize fuel handling safety.

Read Safety Manual WARNING “Fuel Safety”, before adding gasoline.

Use extra care when handling gasoline.

## Inspect the machine before each use.

In addition to the steps in Safety Manual Warning “Inspect Machine before each use”:

- Check and adjust as necessary the Spray Nozzle alignment and pattern.
- Check and adjust the Spreader Control settings as necessary.

Read Safety Manual WARNINGS: “Inspect Machine before each use”; “Check wheel fasteners”; “Tire Safety”, each before starting or operating the machine.

## Starting, stopping, and parking the machine.

Read Safety Manual WARNINGS: “Engines starting Safety”; “Parking”, before starting or operating the machine.

### To start engine:

- Locate machine on a flat, level area free from obstacles and bystanders.
- Shift into Neutral.
- Lock Brake Lever.
- Make sure safety switch lanyard is attached.
- Choke engine if necessary.
- DO NOT pull Throttle Lever while starting.
- Pull Starter.

### To stop engine:

- Lock front Brake Lever
- Shift into Neutral
- Push Kill Switch.

### To park machine

- Stop on level ground.
- Lock Brake Lever
- Shift into Neutral
- Push Kill Switch.
- When leaving the machine unattended, close Fuel Valve.

## Proper shifting techniques.

IMPORTANT: Excessive force applied to the Shift Lever can cause internal Transaxle damage and other damage which is not covered by Warranty.

WARNING: Never shift gears while the machine is moving as this may cause a tip-over or loss-of control.

### To Change gears:

- Release Throttle.
- Bring the machine to a complete stop.
- Shift into the desired gear. If the machine does not shift easily, move the front of the machine angling it right or left until the Transaxle gears shift easily.

IMPORTANT: Emphasize the necessity of NOT forcing the Shift lever.

## Safely stepping on and off the Sulky.

Read Safety Manual WARNING: “Avoiding slipping or tripping injury”; before starting or operating the RS7200

### Demonstrate and instruct the trainee on the following topics:

Read Safety Manual WARNINGS: “Operator Clothing and personal protection equipment”; “Operation”; “Inspecting work area”; and “Forward Operation”, now before starting or operating the RS7200.

### PHASE I: Driving the machine in 1st Gear

Initial training should take place outdoors in a flat open area free of obstructions with the machine in 1st Gear and the Hopper and Tanks empty. Initial training should include the following:

#### To Drive forward:

- Safely start the machine.
- Safely step onto the operator platform.
- Shift into 1st Gear.
- Unlock Brake
- Pull the Throttle.

#### To stop:

- Release the Throttle.
- Step on Sulky Brake Pedal then Pull the Front Brake Lever.

#### To turn right:

- Pull back on the right handle while simultaneously pushing forward on the left handle. A Stop prevents the machine from jack-knifing.
- Always lean into the turns by shifting your body weight to the inside of the turn.

#### To turn left:

- Pull back on the left handle while simultaneously pushing forward on the right handle. A Stop prevents the machine from jack-knifing.
- Always lean into the turns by shifting your body weight to the inside of the turn.

### PHASE II: Driving the machine in 2nd Gear.

Repeat Phase I training using 2nd Gear.

### PHASE III: Driving with a load.

- Repeat 1st and 2nd Gear Training outlined in Phase I and Phase II with a partially filled Hopper and Tanks
- Gradually increase the weight as the trainee demonstrates his ability to control the machine with the increased weight.

### Phase IV: Operating the machine as a walk-behind unit.

Stop, shift into 1st Gear or Reverse Gear, and keeping a firm grip on both handles and while operating the machine as a walk behind unit, perform the training procedures outlined in Phases I through IV.

Read Safety Manual WARNING “Avoiding slipping and tripping injury now”.

## PHASE V: Driving the machine on hillsides.

Initial hillside training should take place on a slightly hilly open area free from obstructions with the machine in 1st Gear and the Hopper and Tanks empty.

- The Trainee must be familiar with the Balance Zone principles and Driving Techniques before operating on slopes.
- The Trainee must pass the Phases I, II and IV and be totally familiar with all the WARNINGS and the hillside driving techniques and principles set forth in the Driver's Training and Operating Manual before operating the machine on a slope or incline. Trainee must never ride the RS7200 on any slopes or inclines greater than 15 degrees.
- As the Trainee is able to demonstrate his ability to control the machine on hills as well as his understanding of hillside driving principles and proper techniques; gradually increase the slope.
- As the Trainee progresses, gradually add weight to the Hopper and Tanks.

Read Safety Manual WARNING "To avoid loss-of-control, tip-over, and rollover" before operating the RS7200 on an incline or slope.

## PHASE VI: Driving over curbs.

- Never attempt to jump a curb at high speed as this may cause a forward tip-over. Instead:
- Approach the curb or parking block straight on;
- Stop the machine 12 inches away from the curb;
- Shift into 1st gear;
- Gradually accelerate up and over curb.

If machine is unable to climb over a curb:

- Look for a lower section of curb;
- If one is not available, approach the curb on an angle and attempt to climb over one wheel at a time;
- Use ramps to get over the curb. IMPORTANT: Avoid high curbs and bottoming out as this can cause machine damage that is not covered by the Warranty .

## Phase VII: Backing Up.

To back up:

- Stop, shift into Reverse, look behind to make sure the path is clear, and keeping both feet on the operator's platform and a firm 2 handed grip on the handles gradually pull the Throttle.

To turn right:

- Pull the right Handle toward you and push the left handle away from you.

To turn left:

- Reverse the procedure.

To stop backing up:

- Release Throttle and apply one or both Brake Levers to stop.

Read Safety Manual WARNING "Reverse Operation" now.

## Phase VIII: Completing Daily Service Checklist.

Adjust, Repair, replace, and report any irregularities discovered to your supervisor.

- Clean machine in a designated area. IMPORTANT: DO NOT power wash machine. High pressure water will force corrosive fertilizer residue into bearings, linkages, and other parts. Corrosion damage is not covered by the Warranty. Instead use low pressure air regulated to 29 PSI Once a week, or as necessary, use low pressure water regulated to 29 PSI to wash machine. Start and run machine and blow dry to remove any water.
- Empty Hopper. NOTE: Use a dedicated pail or wet /dry vacuum to remove fertilizer so that it can be recycled.

Clean:

- Spinner Platter.
- Footpads.
- Nozzles and Nozzle Strainers, If necessary.
- Hopper opening plate, Auxiliary Gate Slide plate and linkage.
- Engine cooling fins, Blower housing inlet (Starter), carburetor, governor linkage, Honda Throttle Lever, Throttle Lever and cable.

Lubricate and protect the following, using WD-40 or equivalent:

- Operating controls and cables.
- Hopper Opening Plate and Auxiliary Gate Plate.
- Carburetor and all linkages and springs.
- Exposed aluminum.

Check and record Engine Idle Speed (Must not exceed 1650 RPM).

Check and record Engine Top Speed (Must be 3,450 RPM).

Gage, record, and adjust Hopper control settings as necessary, including:

- Auxiliary Gate Adjustment Plate.
- Hopper opening.
- Rate Adjustment Knob

Check and adjust the Spray Nozzle alignment as necessary.

Check and top off engine oil.

Check and top off clutch oil.

Check for loose or missing fasteners or parts, cracks in metal or welds.

Read Safety Manual WARNING "Maintenance and Service" now BEFORE starting or operating machine.

## Phase IX: Loading and unloading the machine on a Transport.

Trainee must be instructed how to safely load and unload the RS7200 from a transporting vehicle.

Read Safety Manual WARNING "Transporting" before attempting to load or unload the RS7200 from a transport.

## Phase X: Additional Service Training

Trainee should be instructed on any additional service he will be required to perform on the RS7200 such as, changing Engine and Clutch oil, greasing, etc. Refer to Service Manual for scheduled service requirements and details.

## Phase XI: Testing Safety Devices.

Read Safety Manual WARNING “Maintenance and Service” before starting or operating the RS7200.

Read Safety Manual WARNING “Safety Devices” before starting or operating the RS7200.

If any Safety Device fails a test, adjust, repair or replace the component before operating the machine.

### 1. Throttle Control

Components: Throttle Lever, Throttle Cable, Auxiliary Throttle Return Spring, Multifunction Display (Tachometer), Drive Belt, Idler Pulley, Idler Tension Spring, Transaxle, Honda Engine and components: Honda carburetor and linkage, Honda Governor Spring, Honda Throttle Spring, Honda Throttle Return Spring, and Honda Clutch. All components must be in place and functioning normally.

- Park on level ground free from obstructions and bystanders. Lock front Brake Lever.
- Pull and release Throttle Lever several times. Ensure that the lever moves smoothly and easily and snaps back when released.
- Start engine and verify that the engine speed increases and decreases rapidly and the clutch engages and disengages quickly.
- Engine idle. Ensure the engine idles smoothly without dying and the idle speed on the Multifunction Display does not exceed 1650 RPM.
- Engine Top end speed. Pull and hold Throttle Lever. Confirm that the top end speed is 3450 RPM.
- Clutch engagement. Shift into 1st Gear and gradually accelerate engine. Confirm that the machine does not move when shifted, or creep at Idle speed. The Clutch shall engage smoothly as the engine is accelerated and propel the machine forward at 3.5 MPH at full acceleration. No unusual noise should be detected.

### 2. Neutral Safety Switch System (NSSS)

Components: NSSS Module, Kill Switch, Neutral Switch, Honda Kill Wire, Ground wire, Wire Harness and terminals.

- Park on level ground free from obstructions and bystanders.
- Lock Front Brake Lever, shift into Neutral and start engine.
- Turn Engine off with Kill Switch. Confirm that the engine starts and Kill Switch works.
- Shift into 1st Gear and repeat the previous test. Confirm that the engine does not start in gear.

### 3. Brake Systems

#### A. Front Brake System.

Components: Brake Lever with Lock, Front Brake Cable 1, Brake Drum, Band Tension Spring, Sheath Brake pin, Rod Brake pin, 1 washer, Lock Nut.

- Park a fully loaded machine on level ground free from obstructions and bystanders. Start engine.
- While in NEUTRAL, push the machine forward. No unusual drag should be felt.

#### A. Front Brake System.(con’t)

- Pull and release the Front Brake Lever several times. Ensure that the lever operates smoothly and snaps back completely when released. The operating force on the Lever must not exceed 25 pounds of force.
- Shift into High Gear, accelerate to full speed., and pull the Front Brake Lever. Confirm that the machine stops smoothly in less than 8 feet and the Brake does not lock up.

#### B Rear Brake System.

Components:

- Push and release the Sulky Brake Pedal several times. Confirm that the pedal operates smoothly and snaps back completely when released. The operating force on the Lever must not exceed 25 pounds of force.
- While in NEUTRAL, push the machine forward. No unusual drag should be felt. Shift into 2nd Gear, accelerate to full speed, and push Sulky Brake Pedal. Confirm that the machine stops smoothly in less than 8 feet. Confirm that both Brakes drag equally without causing a change of course, left or right. Brake band must not over heat nor cause unusual drag.

#### C Both Front and Sulky Brake Systems

- Shift into 2nd gear, accelerate to full ground speed and apply both brakes. Confirm that the machine stops in less than the length of the machine.

#### D Parking Brake System.

Components: Front Brake System.

- Drive the fully loaded machine up a 17 degree slope, stop and lock Front Brake Lever. Confirm that brakes hold the machine in place.
- Drive the fully loaded machine down a 17 degree slope, stop and lock Front Brake Lever. Confirm that the brakes hold the machine in place.

#### 4 Fluid-filled Tire.

Components: Front tires (2) and Rear Tires (2).

Read Safety Manual WARNING “Tire Safety” before starting or operating the RS7200.

- Examine all tires for wear and damage. Confirm that tires are free from visible damage and tread depth exceeds 1/4 inch.
- Rotate each tire so the valve stem is in the 12 o’clock position and check pressure. Confirm that tire pressure is 12 PSI and fluid is visible

#### 5. Machine Safety Label Visual Test.

- Confirm that all Labels are in in place and legible.

#### 6. Machine Guard Visual Test.

- Confirm that Transmission Shroud and Belt Guard are securely fastened in place.

#### 7. Slip Resistant Footpad Visual Test.

- Confirm that Footpad is not worn or damaged and is securely fastened in place.

The Drivers Training and Operation Section is completed. Proceed to the Spreader Operation section.

## **! IMPORTANT PLEASE READ CALIBRATION DISCLAIMER BEFORE USE !**

**It is the responsibility of the person using this equipment to make sure that every type of material is properly calibrated to perform as expected. This process should take place on a solid flat surface away from drains and livestock areas in order to achieve a safe and accurate reading for proper material distribution. Failure to do so may cause an over/under application that could damage turf areas or give an ineffective pest control treatment. Any calibration charts contained in this manual are given as a reference point only and should not be used as an absolute condition. Spending a few extra minutes to properly calibrate will not only save on wasted materials and time but also protect turf and other vegetation. Below are several points to be aware of before operating your spreader in the field.**

- . Flow rates of material can change for many reasons
  1. Formualtions vary within the same brand or even between brands
  2. Formulations vary between batches or dates of manufacture
  3. Humidy can cause the material to clump and flow poorly
  4. Poor spreader maintenance can cause flow changes
  5. Slide stop has moved or calibrated to another type of material
  6. Human error can cause rate miscalculation
- Items needed for calibration
  1. A way to catch the material for weighing
  2. A device to measure distance
  3. A scale to weigh your product
  4. A stop watch or other means to measure time

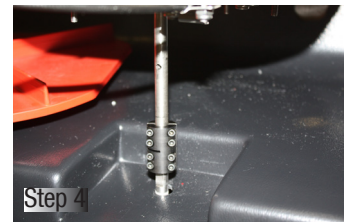
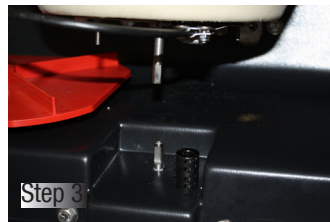
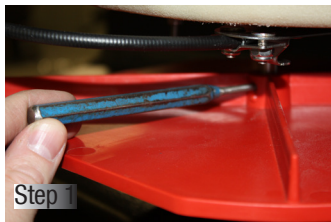
# Spreader Calibration



- 1) Put a small amount of material in the spreader to determine the spread width of your product.
- 2) Now you can refer to your calibration chart of Gate Settings and Pounds per minute as a guide. (Due to the fact that material varies you may need to make your own chart by setting your gate at a number and weighing the amount of material that comes out in 1 minute and carry this out for all gate settings.)

**Exercise:** Let's say you were in the field and needed to apply 3.5lbs. of fertilizer per 1000sq. ft. Assume you were spreading at 5 mph or 440 ft per minute and your spread width was 14ft., you would cover 6160 sq ft in 1 minute. Then divide this by 1000 to get the thousands . Take 6.16 thousands X the application rate of 3.5lbs and this will give you the total of 21.56 lbs. per minute needed to meet the application rate. Refer to your chart to find gate setting. In this instance you will need to set the gate between 11 and 12.

If it is necessary to gather sample fertilizer rates you can follow the steps below.



**Step 1 :** Knock roll pin out of Spinner

**Step 2 :** Loosen Shaft Coupler

**Step 3 :** Remove Spinner

**Step 4 :** Reattach Shaft Coupler

**To reattach spinner perform steps 1 - 4 in reverse.**

**These settings were obtained using a 18-24-12 Fertilizer**

Gate Setting	Lbs. per min.	Lbs. per 1000sq. Ft. @ 3450rpm's in 1st Gear	Lbs. per 1000sq. Ft. @ 3450rpm's in 2nd Gear
Gate Setting #1	1.8	0.42	0.29
Gate Setting #2	2.4	0.56	0.39
Gate Setting #3	3.0	0.70	0.48
Gate Setting #4	3.8	0.88	0.61
Gate Setting #5	4.2	0.98	0.68
Gate Setting #6	6.4	1.5	1.0
Gate Setting #7	8.6	2.0	1.4
Gate Setting #8	10.8	2.5	1.7
Gate Setting #9	13.0	3.0	2.1
Gate Setting #10	15.2	3.5	2.5
Gate Setting #11	19.3	4.5	3.1
Gate Setting #12	23.3	5.4	3.8
Gate Setting #13	27.5	6.4	4.4
Gate Setting #14	31.6	7.3	5.1
Gate Setting #15	35.7	8.3	5.8
Wide Open	37.8	8.8	6.1

Here are some guideline rates for the Nozzles supplied with the machine

Nozzle Type	White Trim		Blue Trim	
Capacity in Gallons	17	17	17	17
Capacity in Ounces	2176	2176	2176	2176
Speed in MPH	3.5	5	3.5	5
Distance in 1 Minute	308'	440'	308'	440'
Spray Width in Feet	3	3	3	3
Ounces Dropped Per Minute	67	67	78	78
Time to Empty in Minutes	32	32	28	28
Sq Ft Covered per minute	924	1320	924	1320
Sq Ft covered per load	29568	42240	25872	36960
1000 Sq ft covered per load	2.96	4.22	2.59	3.70
Acres Covered load	0.68	0.97	0.59	0.85
Ounces Per Sq. Ft	0.07	0.05	0.08	0.06
Ounces Per 1000 Sq. Ft.	70	50	80	60
Gallons Per 1000 Sq. Ft.	0.55	0.39	0.63	0.47
Ounces Per Acre	3049.2	2178	3484.8	2613.6
Gallons Per Acre	23.82	17.02	27.23	20.42

# Sprayer Calibration



Here are some guideline rates for the Nozzles supplied with the machine

Nozzle Type	Green Broadcast		Green Broadcast		Green Broadcast		Green Broadcast		Green Broadcast		Green Broadcast	
Capacity in Gallons	17	17	17	17	17	17	17	17	17	17	17	17
Capacity in Ounces	2176	2176	2176	2176	2176	2176	2176	2176	2176	2176	2176	2176
Speed in MPH	3.5	5	3.5	5	3.5	5	3.5	5	3.5	5	3.5	5
Distance in 1 Minute	308'	440'	308'	440'	308'	440'	308'	440'	308'	440'	308'	440'
Spray Width in Feet	11	11	10	10	9	9	8	8	7	7	6	6
Ounces Dropped Per Minute	99	99	99	99	99	99	99	99	99	99	99	99
Time to Empty in Minutes	22	22	22	22	22	22	22	22	22	22	22	22
Sq Ft covered per minute	3388	4840	3080	4400	2772	3960	2464	3520	2156	3080	1848	2640
Sq Ft covered per load	74536	106480	67760	96800	60984	87120	54208	77440	47432	67760	40656	58080
1000 Sq ft covered per load	74.54	106.48	67.76	96.80	60.98	87.12	54.21	77.44	47.43	67.76	40.66	58.08
Acres Covered load	1.71	2.44	1.56	2.22	1.40	2.00	1.24	1.78	1.09	1.56	0.93	1.33
Ounces Per Sq. Ft.	0.03	0.02	0.03	0.02	0.04	0.02	0.04	0.03	0.05	0.03	0.05	0.04
Ounces Per 1000 Sq. Ft.	29.19	20.44	32.11	22.48	35.68	24.98	40.14	28.10	45.88	32.11	53.52	37.47
Gallons Per 1000 Sq. Ft.	0.23	0.16	0.25	0.18	0.28	0.20	0.31	0.22	0.36	0.25	0.42	0.29
Ounces Per Acre	1271.69	890.18	1398.86	979.20	1554.29	1088.00	1748.57	1224.00	1998.37	1398.86	2331.43	1632.00
Gallons Per Acre	9.94	6.95	10.93	7.65	12.14	8.50	13.66	9.56	15.61	10.93	18.21	12.75

Nozzle Type	Blue Broadcast		Blue Broadcast		Blue Broadcast		Blue Broadcast		Blue Broadcast		Blue Broadcast	
Capacity in Gallons	17	17	17	17	17	17	17	17	17	17	17	17
Capacity in Ounces	2176	2176	2176	2176	2176	2176	2176	2176	2176	2176	2176	2176
Speed in MPH	3.5	5	3.5	5	3.5	5	3.5	5	3.5	5	3.5	5
Distance in 1 Minute	308'	440'	308'	440'	308'	440'	308'	440'	308'	440'	308'	440'
Spray Width in Feet	11	11	10	10	9	9	8	8	7	7	6	6
Ounces Dropped Per Minute	76	76	76	76	76	76	76	76	76	76	76	76
Time to Empty in Minutes	29	29	29	29	29	29	29	29	29	29	29	29
Sq Ft covered per minute	3388	4840	3080	4400	2772	3960	2464	3520	2156	3080	1848	2640
Sq Ft covered per load	98252	140360	89320	127600	80388	114840	71456	102080	62524	89320	53592	76560
1000 Sq ft covered per load	98.25	140.36	89.32	127.60	80.39	114.84	71.46	102.08	62.52	89.32	53.59	76.56
Acres Covered load	2.26	3.22	2.05	2.93	1.85	2.64	1.64	2.34	1.44	2.05	1.23	1.76
Ounces Per Sq. Ft.	0.02	0.02	0.02	0.02	0.03	0.02	0.03	0.02	0.03	0.02	0.04	0.03
Ounces Per 1000 Sq. Ft.	22.15	15.50	24.36	17.05	27.07	18.95	30.45	21.32	34.80	24.36	40.60	28.42
Gallons Per 1000 Sq. Ft.	0.17	0.12	0.19	0.13	0.21	0.15	0.24	0.17	0.27	0.19	0.32	0.22
Ounces Per Acre	964.73	675.31	1061.20	742.84	1179.11	825.38	1326.50	928.55	1516.00	1061.20	1768.67	1238.07
Gallons Per Acre	7.54	5.28	8.29	5.80	9.21	6.45	10.36	7.25	11.84	8.29	13.82	9.67



**IMPORTANT:** Keeping the RS7200 Ride N Spray operating reliably requires attention to maintenance. Proper maintenance prevents damage to your machine and preventable malfunctions. Proper maintenance is required for the safe operation of the machine. Use the following timetables to perform routine maintenance.

## Engine Service Intervals

Refer to Engine Manual included with this machine for Engine service intervals.

**IMPORTANT:** Change engine and clutch oil every 100 hours.

## Daily Service Checklist.

**IMPORTANT:** Adjust, repair, replace, and report any irregularities discovered during these checklist inspections to your supervisor.

- Clean machine in a designated area. **IMPORTANT:** DO NOT power wash machine. High pressure water will force corrosive fertilizer residue into bearings, linkages, and other parts. Corrosion damage is not covered by the Warranty. Instead use low pressure air regulated to 29 PSI. Once a week, or as necessary, use low pressure water regulated to 29 PSI to wash machine. Start and run machine and blow dry to remove any water.
- Empty Hopper. **NOTE:** Use a dedicated pail or wet /dry vacuum to remove fertilizer so that it can be recycled
- Clean:
  - Spinner Platter.
  - Footpads.
  - Nozzles and Nozzle Strainers, If necessary.
  - Hopper opening plate, Auxiliary Gate Slide plate and linkage.
  - Engine cooling fins, Blower housing inlet (Starter), carburetor, governor linkage, Honda Throttle Lever, Throttle Lever and cable.
- Lubricate and protect the following, using WD-40 or equivalent:
  - Operating controls and cables.
  - Hopper Opening Plate and Auxiliary Gate Plate.
  - Carburetor and all linkages and springs.
  - Exposed aluminum.
- Check and record Engine Idle Speed (Must not exceed 1650 RPM).
- Check and record Engine Top Speed ( Must be 3,450 RPM).
- Gage, record, and adjust Hopper control settings as necessary, including:
  - Auxiliary Gate Adjustment Plate.
  - Hopper opening.
  - Rate Adjustment Knob
- Check and adjust the Spray Nozzle alignment as necessary.
- Check and top off engine oil.
- Check and top off clutch oil.
- Check for loose or missing fasteners or parts, cracks in metal or welds.

Read Safety Manual WARNING "Maintenance and Service" before starting, operating, repairing or performing maintenance on the RS7200.

## Break-in Service

(first 10 hours) Checklist

- Change engine oil
- Change Clutch oil
- Grease all fittings
- Check tire pressure
- Check wheel lug nut tightness
- Check tightness of Pivot Bolts and Nuts
- Test Safety Devices
- Check Drive belt tension
- Check Spinner/Pump belt tension

## Every 50 hours (or every 2 weeks) Checklist

(Perform more frequently if operating in wet or dusty conditions)

- Grease all fittings
- Clean air filter
- Check tire pressure
- Check wheel bolt lug nut tightness
- Check tightness of Pivot Bolts and Nuts
- Test Safety Devices
- Check drive belt and spinner/clutch belts

## Every 100 hours (or monthly) Checklist

(Perform more frequently if operating in wet or dusty conditions)

- Change engine oil
- Change Clutch oil
- Clean or replace air filter
- Check engine manual for additional service required
- Grease all fittings
- Check tire pressure
- Check wheel lug nut tightness
- Check tightness of Pivot Bolts and Nuts
- Test Safety Devices
- Check drive belt and Spinner/Pump belts, replace if necessary
- Flush and clean Spray tanks
- Calibrate Spray System
- Calibrate Spreader System

## Yearend checklist

• Read Safety Manual WARNINGS

- Change engine oil
- Change Clutch oil Clean or replace air filter
- Check engine manual for additional service required
- Grease all fittings
- Check tire pressure
- Check wheel lug nut tightness
- Check tightness of Pivot Bolts and Nuts
- Test Safety Devices
- Check drive belt and spinner/clutch belts, replace if necessary
- Flush and clean Spray tanks
- Run RV anti-freeze or Windshield washer solution through spray system
- Calibrate Spray System
- Calibrate Spreader System



## Maintenance and Service

Improper maintenance can cause serious injury.

- Lock brake, stop engine and disconnect spark plug wire. Wait for all movement to stop before performing any adjustments, cleaning or repairs.
- Clean grass and debris from drives, mufflers, and engine to help prevent fires. Clean up oil or fuel spillage.
- Let engine cool before storing and do not store near flame.
- Shut off fuel while storing or transporting. Do not store fuel near flames or drain indoors.
- Park machine on level ground. Never allow untrained personnel to service machine.
- Use jack stands to support components when required.
- Carefully release pressure from tires and spray system.
- Remove spark plug wire before making any repairs.
- Keep hands and feet away from moving parts. If possible, do not make adjustments with the engine running.
- Keep all parts in good working condition and all hardware tightened.
- Replace all worn or damaged Machine Safety Labels.
- Replace worn or damaged footpads.
- Perform all scheduled maintenance as directed in the Service Manual.

Read Safety Manual WARNING “Safety Devices” now.

### Check Engine and Clutch Oil

**Please refer to your Honda Engine Manual that is provided with your RS7200 for any Engine maintenance.**

IMPORTANT: Low oil level can cause serious engine or clutch damage. Check oil level regularly. Check before operating. Keep oil level between “full” and “add” marks. Do not operate engine if oil level in engine or clutch are below or above the full and add marks.

### Replacing Throttle Lever

- Remove Handgrip
- Loosen Lever tensioning Screw
- Remove cable
- Replace Throttle Lever in reverse order

### Replacing Throttle Cable

- Remove Handgrip
- Loosen Lever tensioning Screw
- Remove cable
- Replace Throttle Lever in reverse order

Read Safety Manual WARNING, Safety Devices before starting or operating the Triumph.

Engine speed is part of the Throttle/Clutch Safety Device. Keep the top speed at 3450 RPM.

DO NOT over-speed engine.

Spinner Shaft coupler

Loosen Bolts

After adjusting, Conduct the Safety Device Test “Brake Systems”, in the “Driver’s Training and Operation” section of this Manual. Read Safety Manual WARNING “Safety Devices” before starting or operating the RS7200.

### Adjusting Pressure in Fluid-filled Tires

On a level open area free from obstructions and bystanders, lock front Brake, shift into Neutral, and start engine.

Tires are filled with pressurized Windshield Washer Solution to provide ballast for a lower center of gravity. Explosive separation of rim and tires may cause serious injury.

- DO NOT remove fluid from tires.
- All replacement tires must be fluid filled.
- Wear a face shield when checking, filling, and repairing fluidfilled tires.
- Do not attempt to check, repair or replace fluid fill tires without the proper equipment.
- Use a clip-on chuck and extension hose. Stand to the side of the tire when filling.
- Always maintain tire pressure at 12 PSI. Do not under or over inflate tires.
- Rear tires have split rims. Release tire pressure prior to loosening any nuts or bolts.
- Never weld or heat the tire rims as this could cause a tire explosion or structural damage to the rim.
- Check tires often for cuts, wear, bubbles and missing or loose lug nuts. Check pressure often.
- Fix or replace worn or damaged tires, rims, and hardware.

Read Safety Manual WARNING “Tire Safety” before starting, operating or performing repairs or maintenance on the RS7200. Fluid-filled tires are Safety Devices. Keep pressure at 12 PSI. DO NOT operate machine without Fluid-filled tires. Replace any lost fluid.

Important Grease the following points daily.

Figure 1: Transaxle Grease Points

Figure 2: Pivot Grease Points

Figure 3: Sulky Grease Points

Figure 1

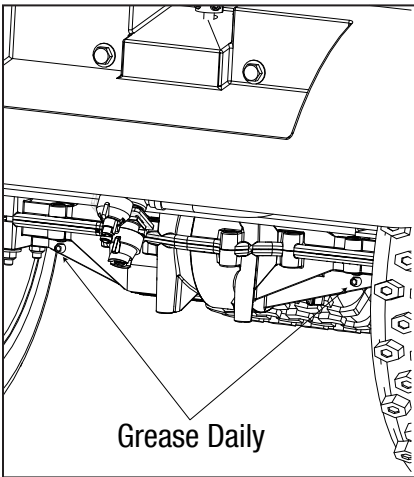


Figure 2

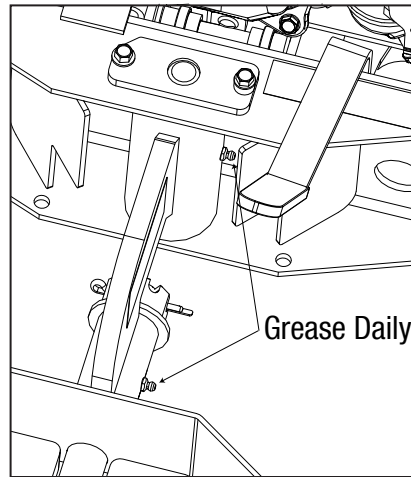
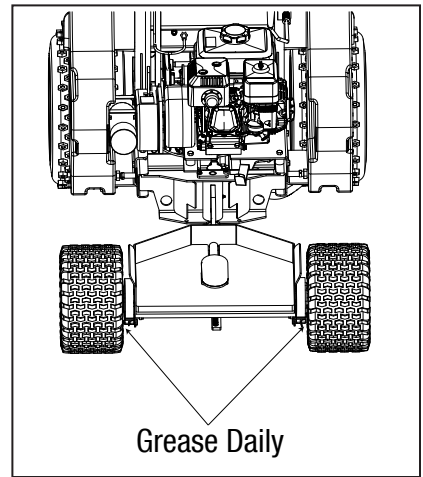
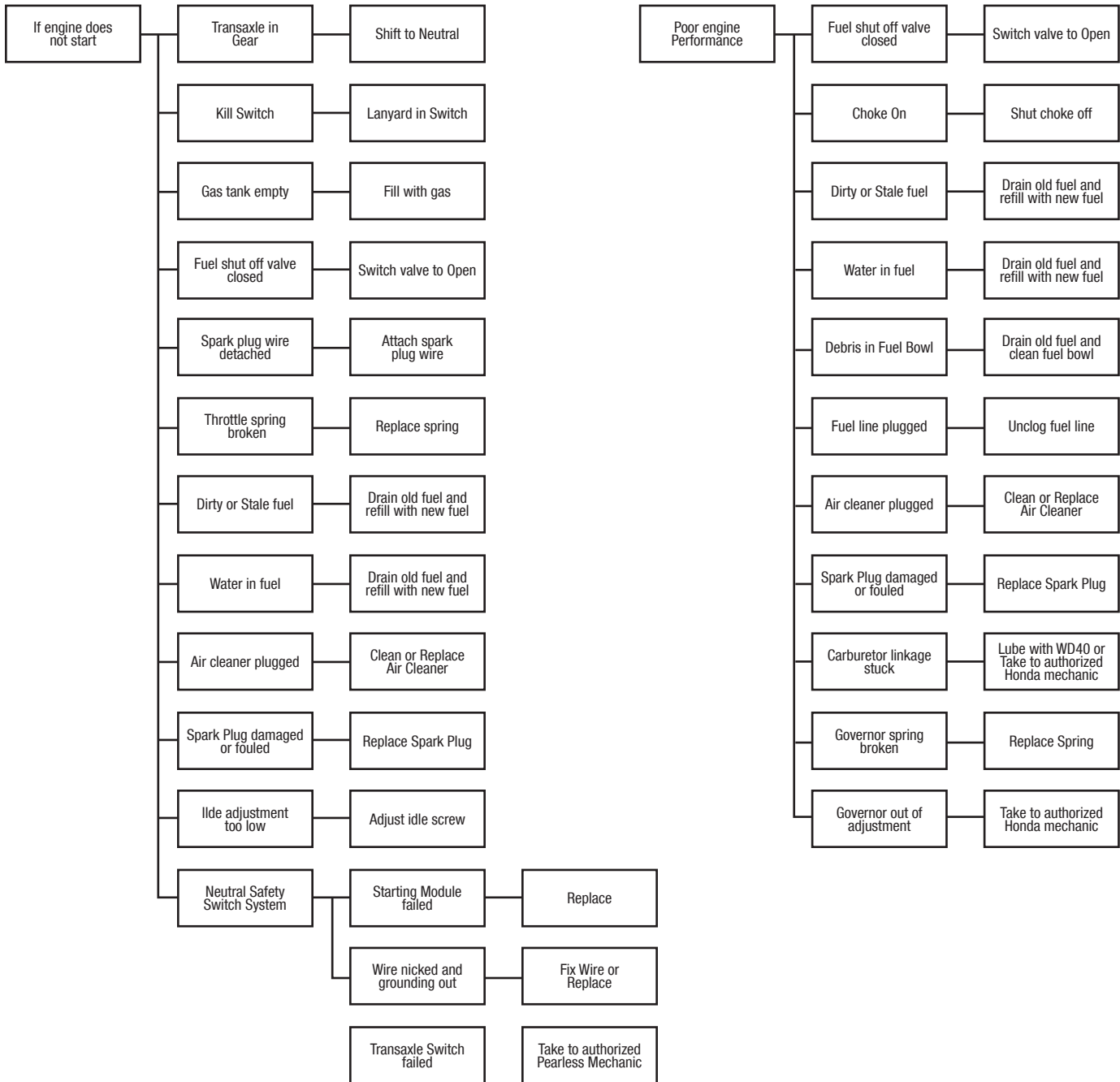
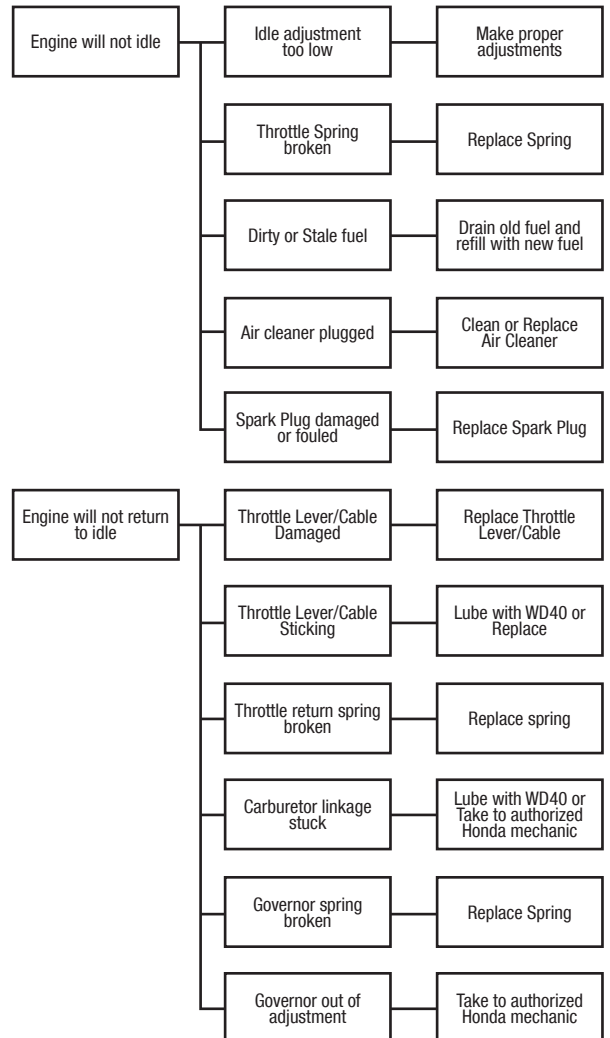
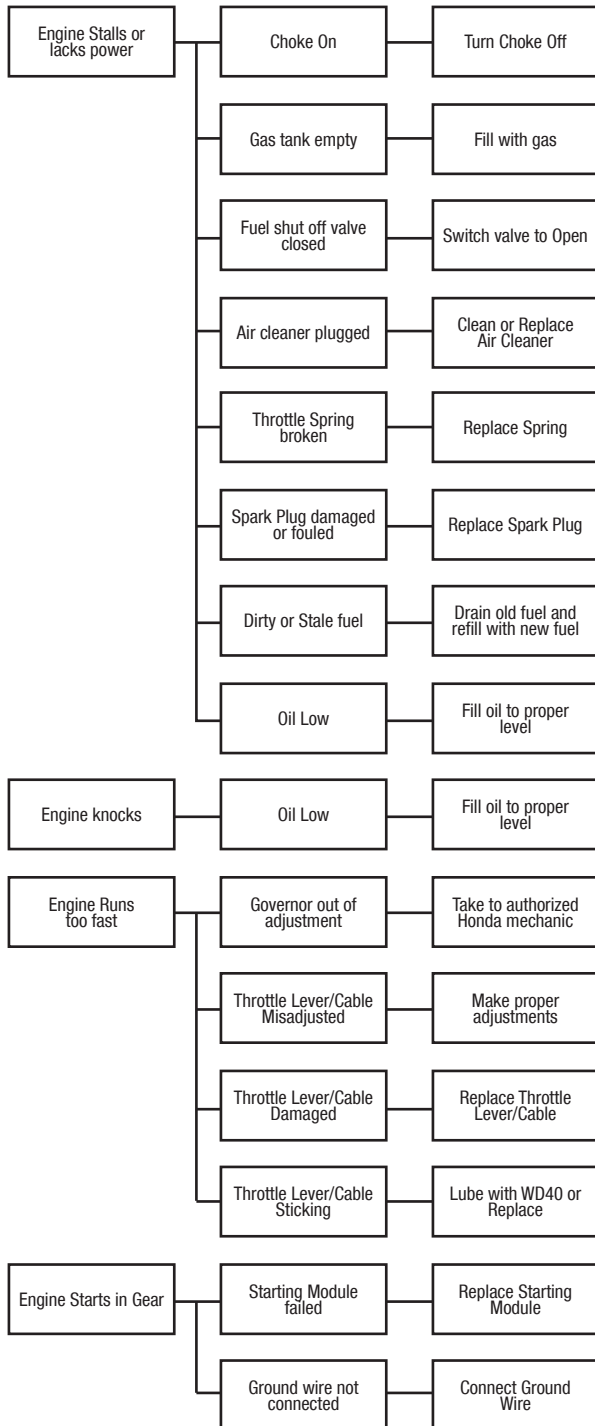


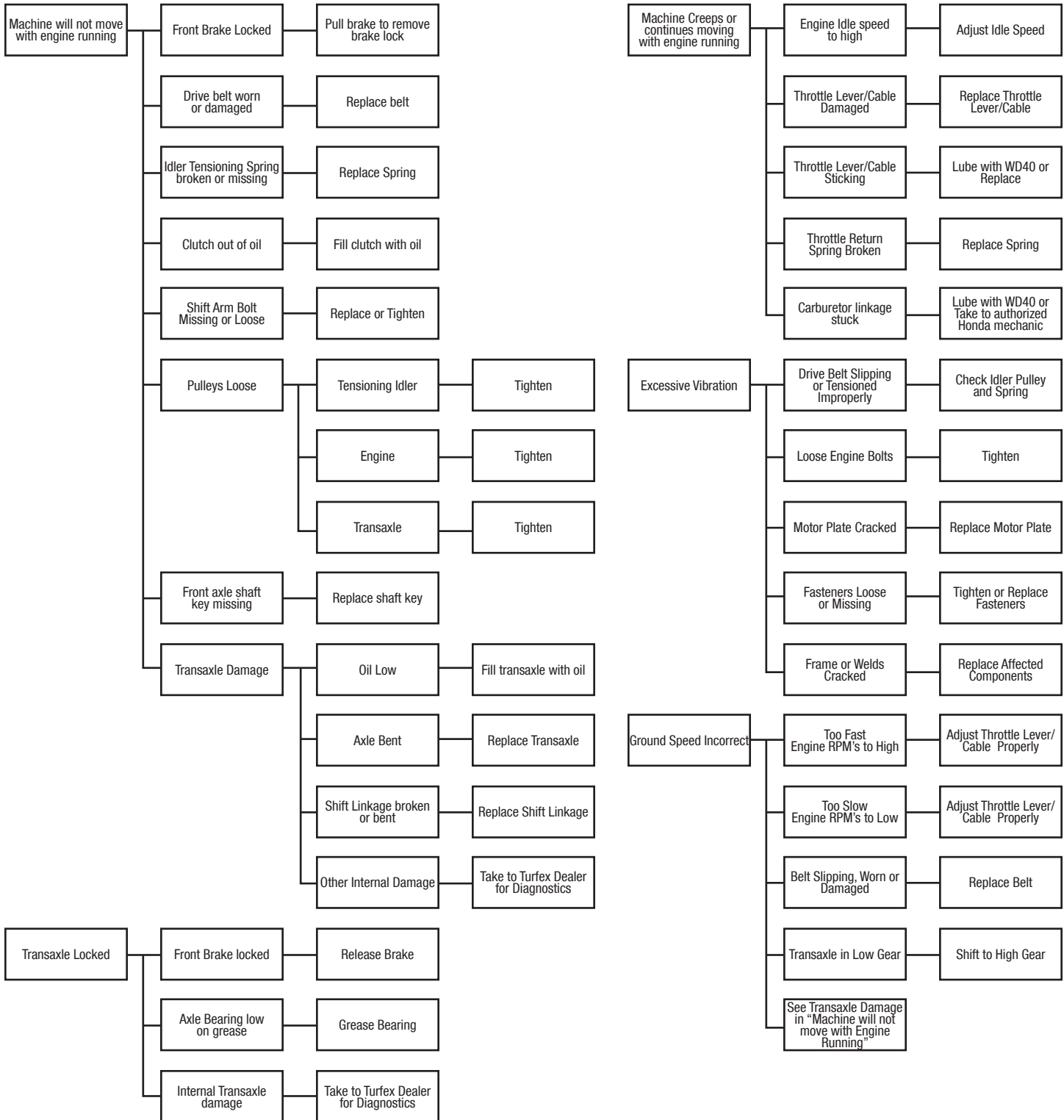
Figure 3

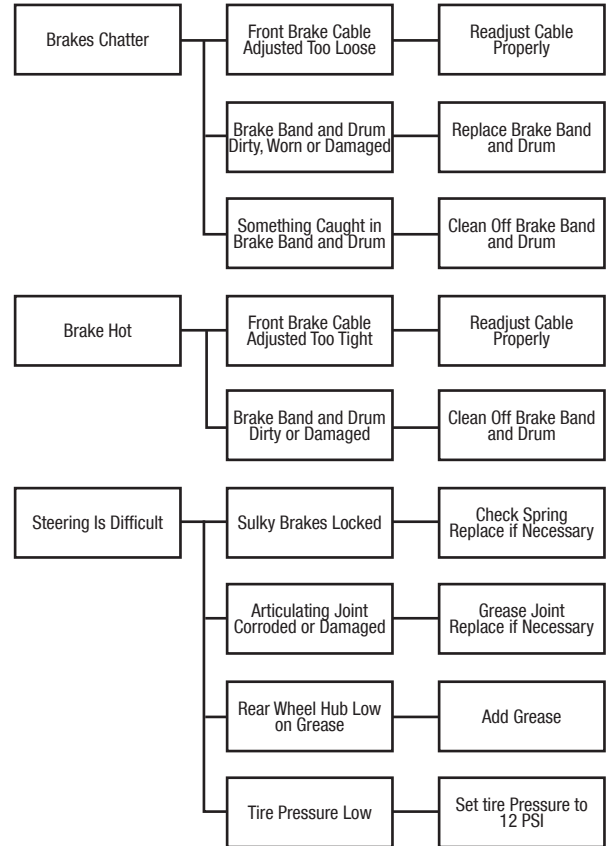
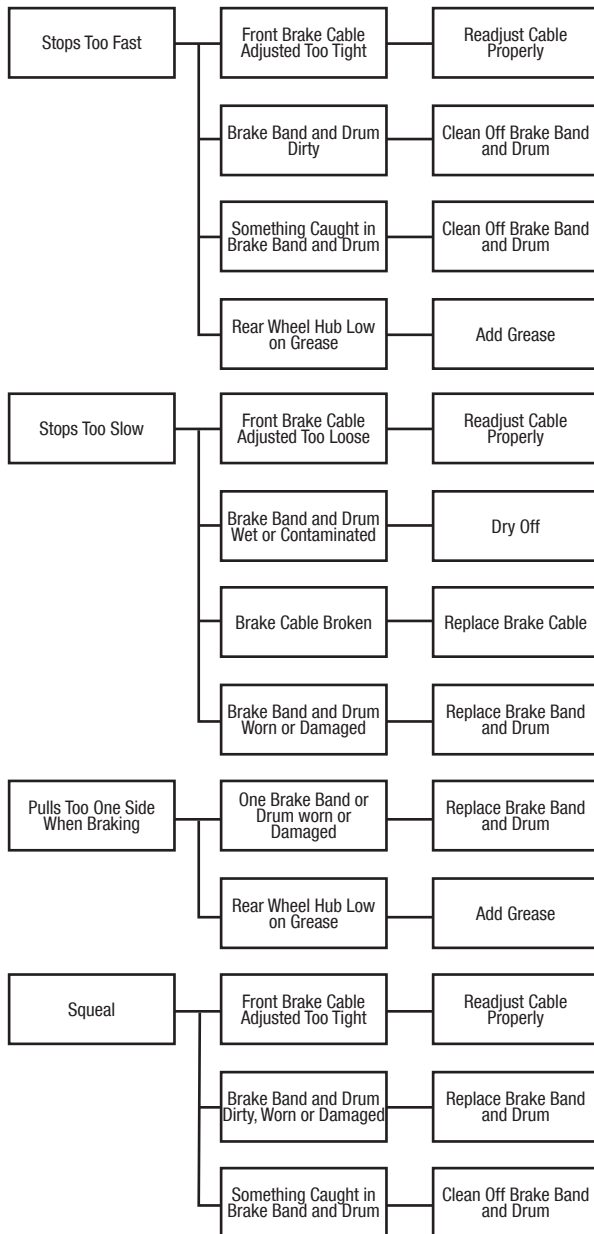


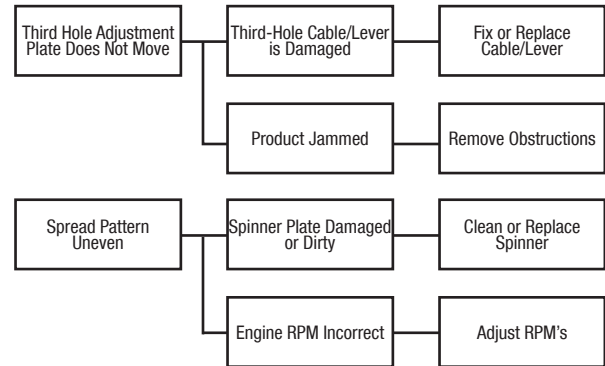
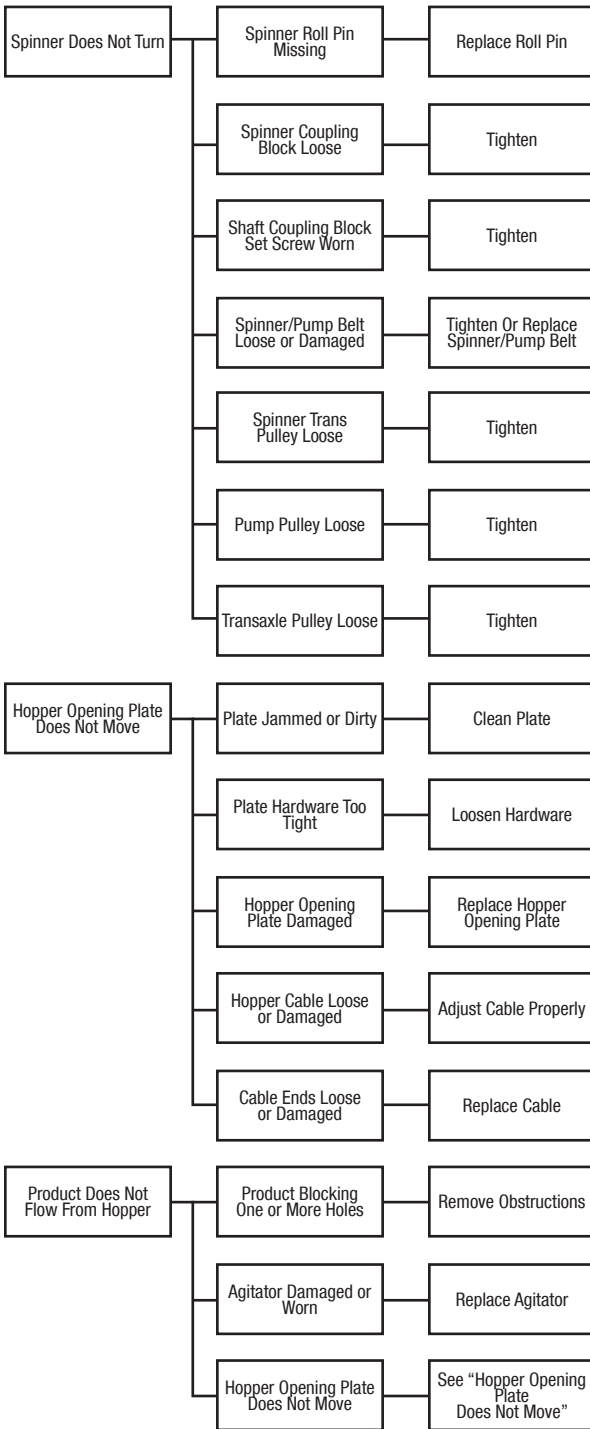
**Page Left Intentionally Blank**



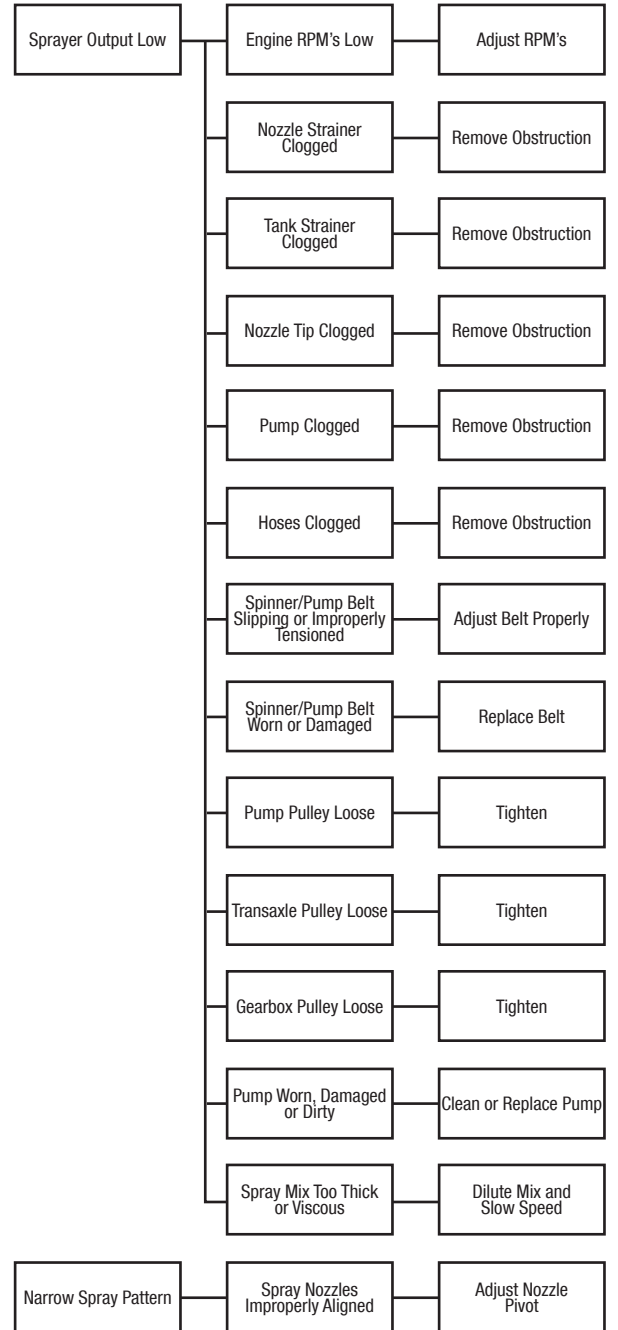
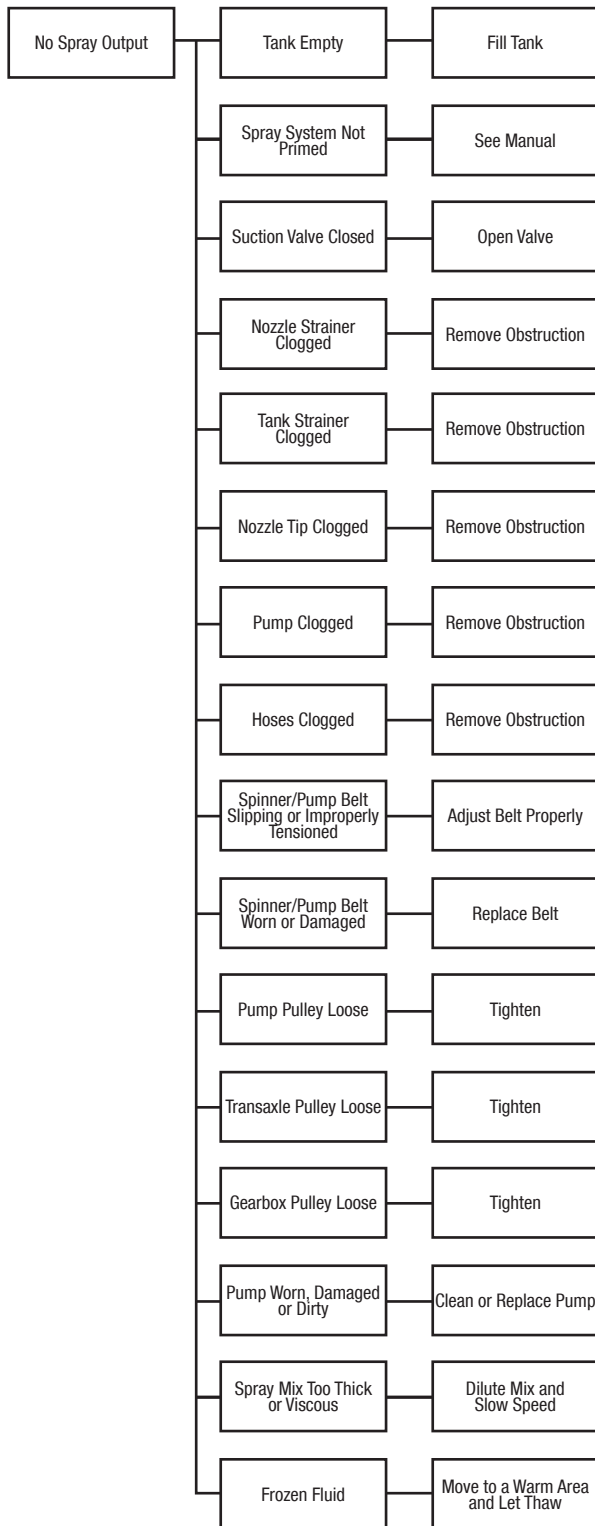












## Warranty – Spread and Spray Limited Warranty

Spread and Spray products are warranted for a period of two (2) years from the date of purchase (**except for the engine and transmission**), including TrynEx Genuine Parts and labor, against defects in materials or workmanship under normal use and service subject to the limitations detailed below. The warranty period will begin on the date of purchase by the original purchaser – for engines and transmissions, refer to their separate manufacturers warranties.

This warranty applies to the original purchaser only and does not cover damages caused by improper installation, misuse, lack of proper maintenance, alterations or repairs made by anyone, including Authorized TurfEx Dealers and/or TurfEx personnel. Due to the corrosive properties of the materials being dispensed by spreaders and sprayers, TurfEx does not warrant against damage caused by corrosion. Warranty claims by the user must be made to an Authorized TurfEx Dealer and/or the respective authorized engine and transmission dealers. Unless otherwise authorized by TurfEx, TurfEx reserves the right to determine if any TurfEx part is defective and to repair such part/parts as it elects. This warranty does not cover shipping costs of defective parts to or from the Distributor/Dealer.

### Limitation of Liability

TurfEx, TrynEx International, or any company affiliated, makes any warranties, representations, or promises as to the performance or quality other than what is contained herein. The liability of TurfEx to the purchaser for damages arising out of the manufacture, sale, delivery, use, or resale of this product shall be limited to and shall not exceed the costs of repair or replacement of defective parts. TurfEx, TrynEx International, or any company affiliated shall not be liable for the loss of use, inconvenience, or any other incidental, indirect, or consequential damages.

**NO DISTRIBUTOR OR DEALER HAS THE AUTHORITY TO MAKE ANY REPRESENTATIONS AND/OR PROMISES ON BEHALF OF TURFEX OR TRYNEX INTERNATIONAL OR ITS COMPONENT MANUFACTURERS OR TO ALTER AND/OR MODIFY THE TERMS AND/OR LIMITATIONS OF THIS WARRANTY IN ANY WAY.**

### Owner's Responsibility

- Properly maintain and safely operate and store their TurfEx product.
- Properly maintain filters, lubrication levels, and mechanical drives and delivery systems.
- Use the proper spreading materials for each model of spreader (spreading material should be free-flowing for best results).
- Do not store spreading materials in the spreader.
- Do not store liquids in the sprayer tanks.

## Warranty – Spread and Spray

### TurfEx Warranty Procedure

To obtain warranty service, return defective equipment to an Authorized TurfEx Dealer and/or Authorized Engine or Transmission Component Dealer during the respective warranty period. Repair or replacement of parts and/or unit shall be performed by such dealer after inspection and determination that the warranty applies. Only TrynEx genuine parts must be used to keep the warranty in force.

All TurfEx parts returned to TurfEx must be accompanied by a warranty claim, proof of sales and Return Goods Authorization (RGA) number from the TurfEx Customer Service Department. Parts will be tested at TurfEx (unless other arrangements have been made with the Distributor and/or Dealer) to validate claims. Any claims made without proper documentation will automatically be denied. Any product returned disassembled and/or has missing components will automatically be denied. NOTE: Any claim submitted without an RGA will be returned to the sender with no further action taken on the claim.

**NOTE: Engine and transmission components must follow the guidelines of the manufacturer of that component. TurfEx does not warrant engine and transmissions.**

### Warranty Responsibilities

#### I. Owner's Responsibility

- Submit Warranty Registration Card at the time of purchase.
- Verify actual date the product was purchased.
- Properly maintain, operate, and/or store their TurfEx product.
- All costs incurred in returning the equipment to the dealer.

#### II. Distributor's/Dealer's Responsibility

- Register the unit at the time of sales on-line on the Warranty Central site.
- Repair and service TurfEx products.
- Diagnose accurately and replace defective part(s).
- Fill out and submit claim with proof of sales and a Return Goods Authorization (RGA) number to TurfEx (complete information is required or the claim will not be processed) on Warranty Central.
- All claims must be submitted within 30 days from the date of repair.
- Responsible for all costs incurred in returning equipment to the factory except freight costs.
- Call for prior approval when repairs (parts and labor) exceed \$500.00.

#### III. TrynEx International Responsibilities

- Warrant TurfEx components for two (2) years per our limited warranty.
- Reimburse labor time according to the Flat Rate Chart (in accordance with federal, state, and local laws).
- Credit Distributor/Master Dealer for defective TurfEx parts returned to TurfEx.

#### IV. Contested Warranty Claims

If a customer insists on a warranty repair and there is some doubt that the repair is warrantable, call the factory first. It is suggested that the warranty be completed and the customer charged. Follow the procedures to file a Warranty Claim. If the contested Warranty Claim is paid, in the interest of customer "goodwill", the Dealer is responsible for the refund to the customer.

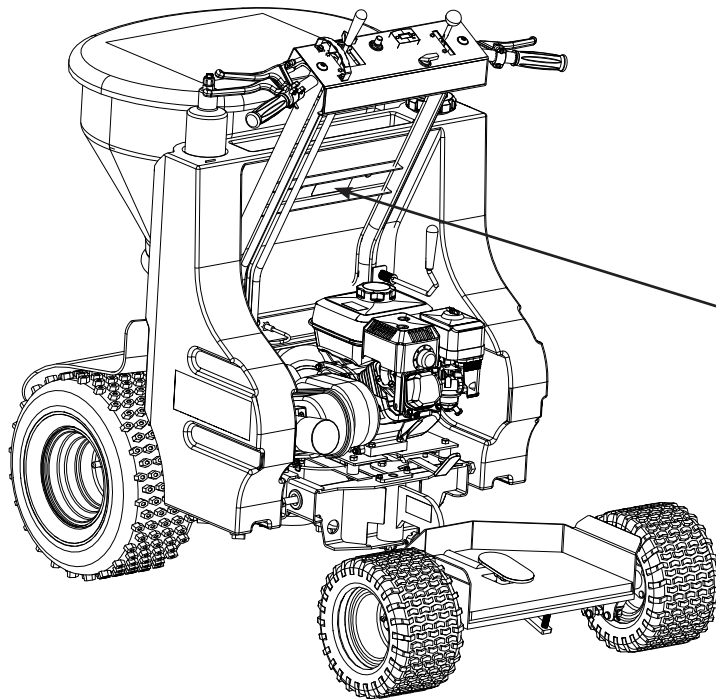
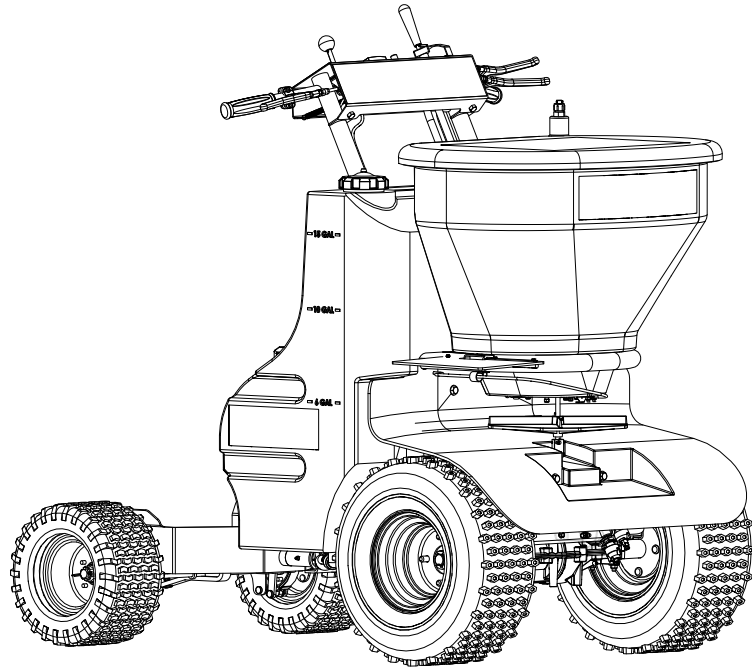
### Warranty Summary

- Distributors and/or Dealers are required to have proper testing equipment to accurately diagnose any issues that may arise.
- Distributors are required to honor warranties. Please review the TurfEx warranty procedures.
- Paint damage due to abrasion, scratches, or other finish damages are not warranted. We will not be responsible for paint and finish deterioration from our product being stored improperly while it is in a Dealer's or Distributor's inventory.
- Use of parts other than TrynEx Genuine Parts in repair or service of TurfEx products will result in the voiding of the TurfEx warranty.
- Any unauthorized modifications will void the warranty.
- Registration Cards must be completely filled out and sent to manufacturer immediately after sale is completed or registered on-line at Warranty Central.
- TrynEx Genuine Parts are warranted for one (1) year, unless within the unit's warranty period, whichever is greater, beginning at the time of the original purchase of the unit.
- Warranty Claims
- All claims must be made within 30 days from date of failure.
- All claims must have Proof of Purchase and the Warranty Claim filled out completely or registered and processed on Warranty Central.
- Any product returned disassembled or has missing components will automatically be denied.
- Any product found to be using parts that are not TrynEx Genuine Parts will be denied.
- Freight to and from TurfEx will be the responsibility of TurfEx.
- Prior authorization for repairs (labor & parts) over \$500.00 is required by the manufacturer.
- TurfEx/TrynEx does not warrant engines and transmissions. Please refer to those manufacturers' warranties for warranty claims...

**NOTE: TURFEX RESERVES THE RIGHT TO ALTER ANY PROGRAM OR DETAILS, PRODUCT DESIGN OR CONSTRUCTION, PRICES AND SPECIFICATIONS, WITHOUT NOTICE AND WITHOUT INCURRING ANY OBLIGATION.**

# Assembly Views

Model # RS7200

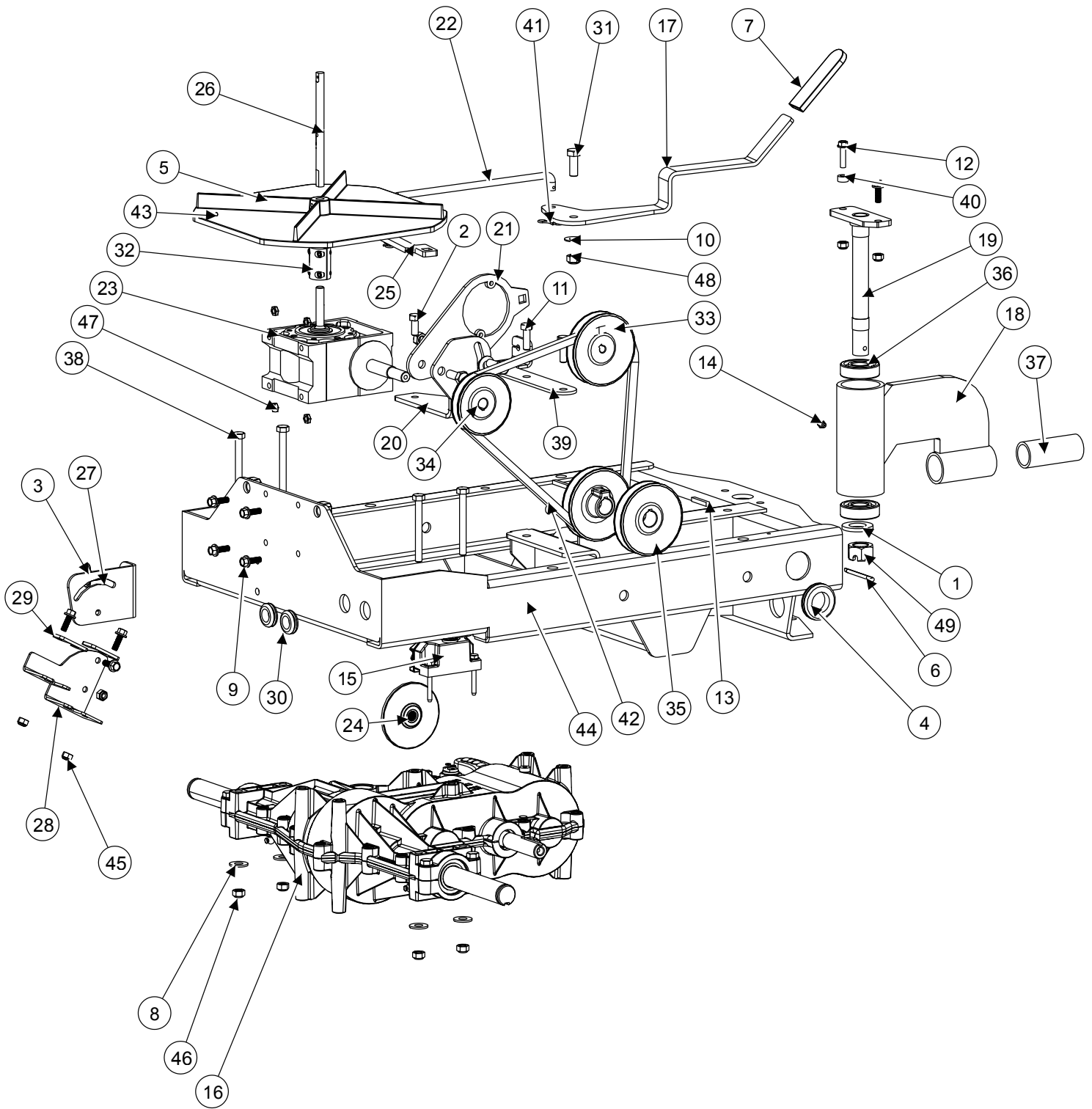


<b>TRYNEX</b> INTERNATIONAL	
Madison Heights, MI 48071 U.S.A. 1-800-725-8377 www.trynexusfactory.com	
Model No.	RS7200
Serial No.	T15-100000
SNOW <input checked="" type="checkbox"/> TURF <input checked="" type="checkbox"/> SWEEP <input checked="" type="checkbox"/>	

# Main Frame Parts Breakdown



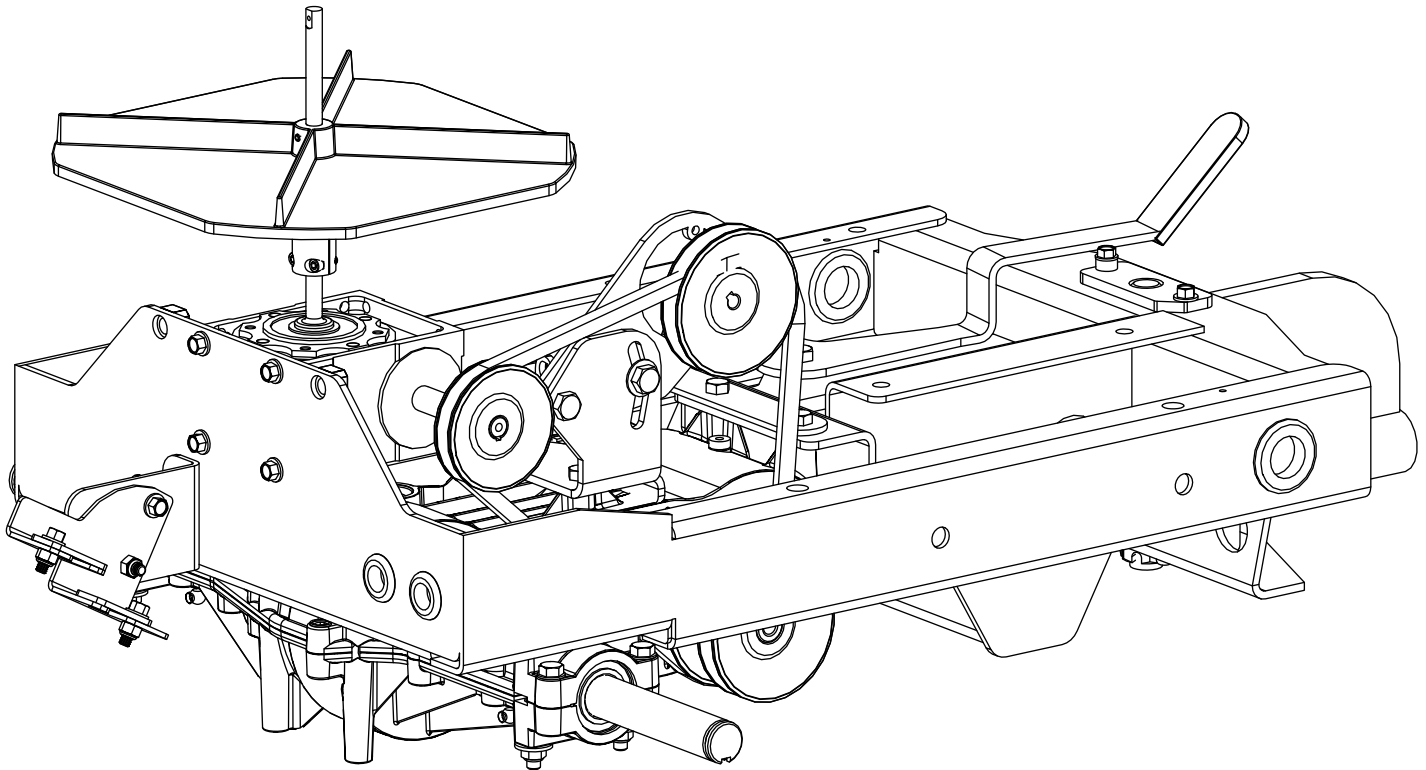
Model # RS7200



# Main Frame Parts Breakdown



Model # RS7200



ID #	Part #	Qty
1	D4409	1
2	D5209	2
3	D5583	1
4	D5602	5
5	D5902	1
6	D5919	1
7	D5929	1
8	D5949	4
9	D6132	11
10	D6169	2
11	D6418	2
12	D6854	1
13	D6873	2

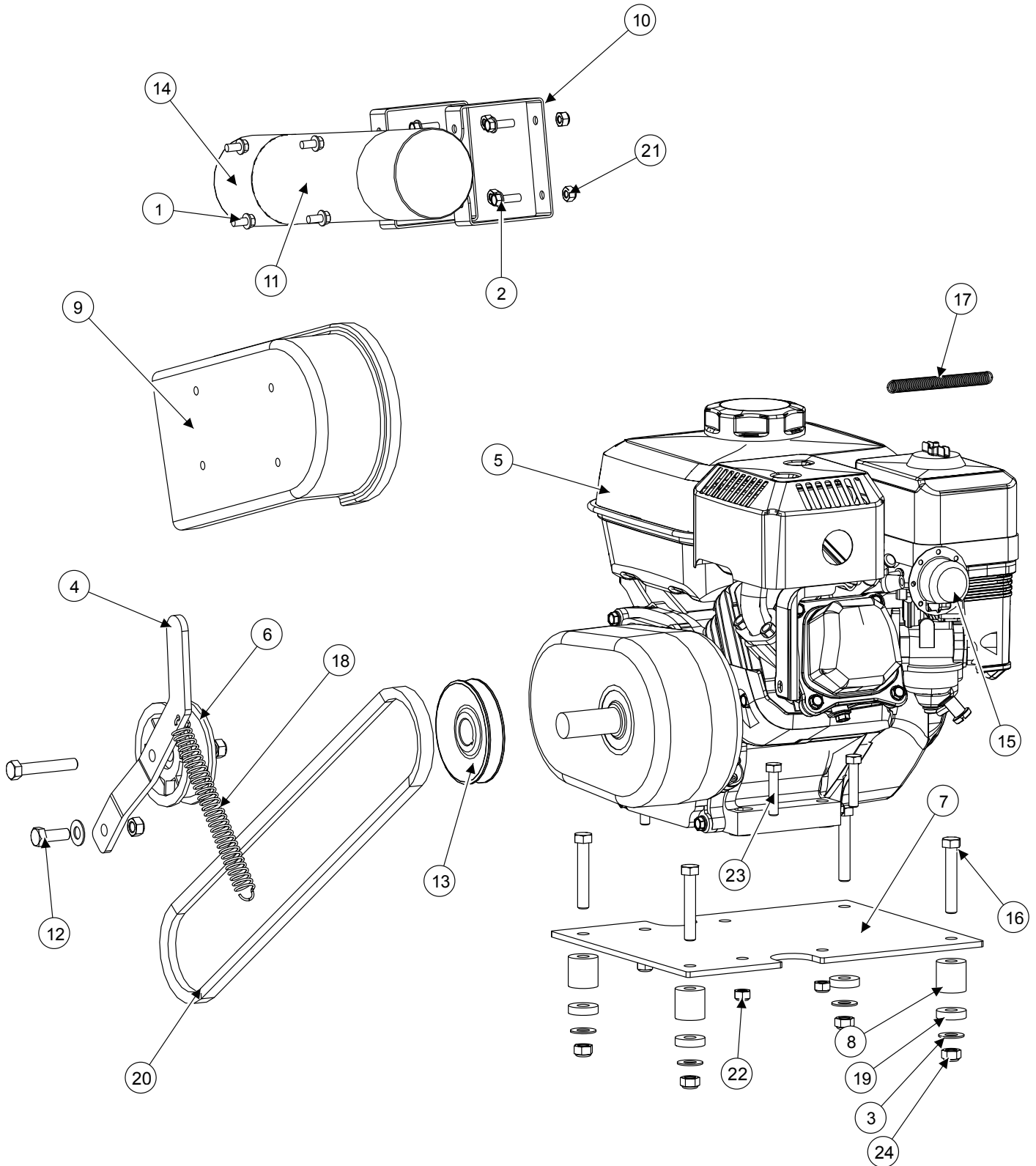
ID #	Part #	Qty
14	D6983	2
15	F50044	1
16	F50048	1
17	F50050	1
18	F50058	1
19	F50060	1
20	F50061	1
21	F50062	1
22	F50065	1
23	F50066	1
24	F50067	1
25	F50068	1
26	F50085	1

ID #	Part #	Qty
27	F50092	1
28	F50094	1
29	F50095	2
30	F50109	4
31	F50110	3
32	F50113	1
33	F50115	1
34	F50116	1
35	F50122	2
36	F50142	2
37	F50144	1
38	F50151	4
39	F50177	1

ID #	Part #	Qty
40	F50205	1
41	F50213	2
42	F50215	1
43	F50321	1
44	T14150	1
45	T15016	7
46	T15018	4
47	T15096	4
48	T30728	3
49	T30739	1

# Engine Parts Breakdown

Model # RS7200

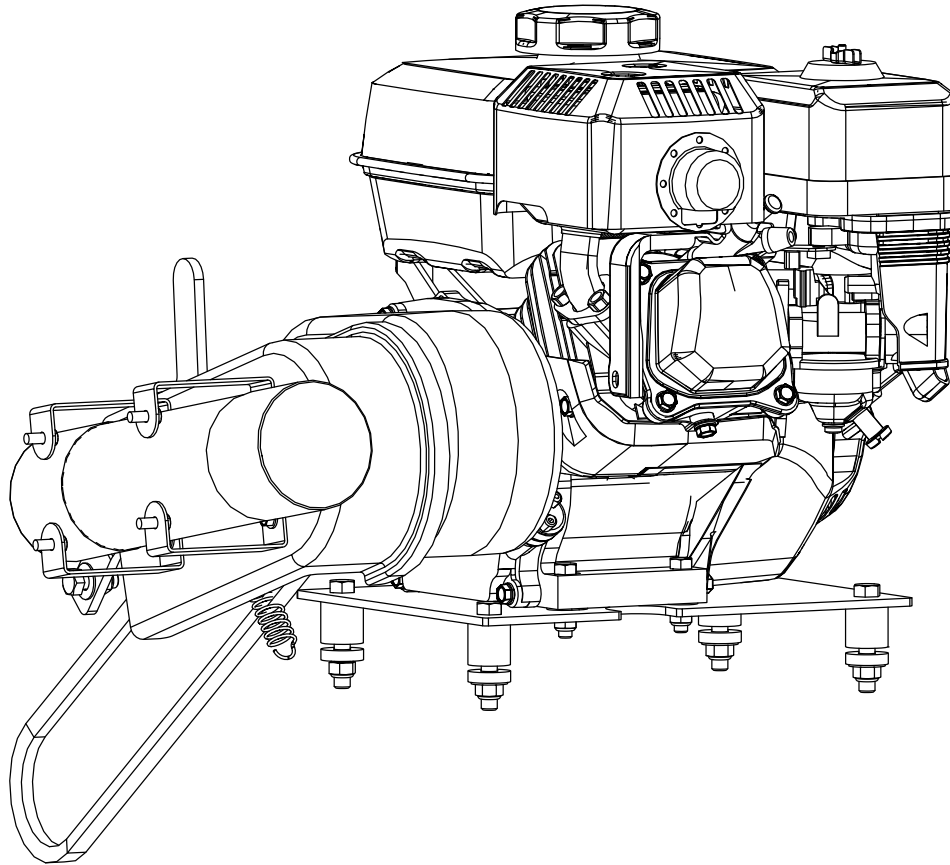




# Engine Parts Breakdown



Model # RS7200



ID #	Part #	Qty
1	D6131	4
2	D6132	4
3	D6169	6
4	F50043	1
5	F50049	1
6	F50056	1
7	F50057	1

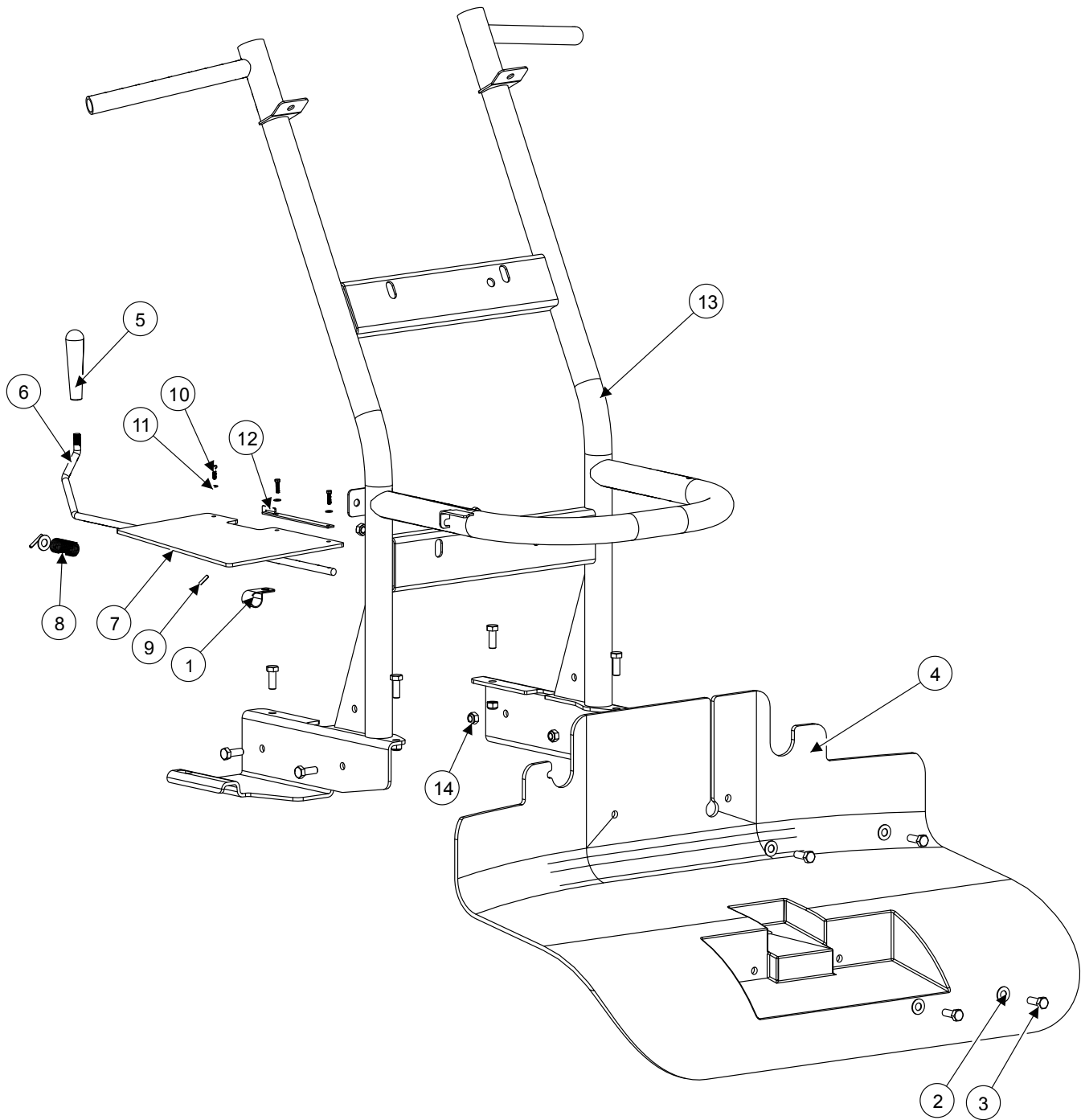
ID #	Part #	Qty
8	F50069	4
9	F50087	1
10	F50088	2
11	F50090	1
12	F50110	1
13	F50117	1
14	F50123	2

ID #	Part #	Qty
15	F50134	1
16	F50150	5
17	F50180	1
18	F50181	1
19	F50196	4
20	F50214	1
21	T15016	4

ID #	Part #	Qty
22	T15018	4
23	T15050	4
24	T30728	6

# Handle Parts Breakdown

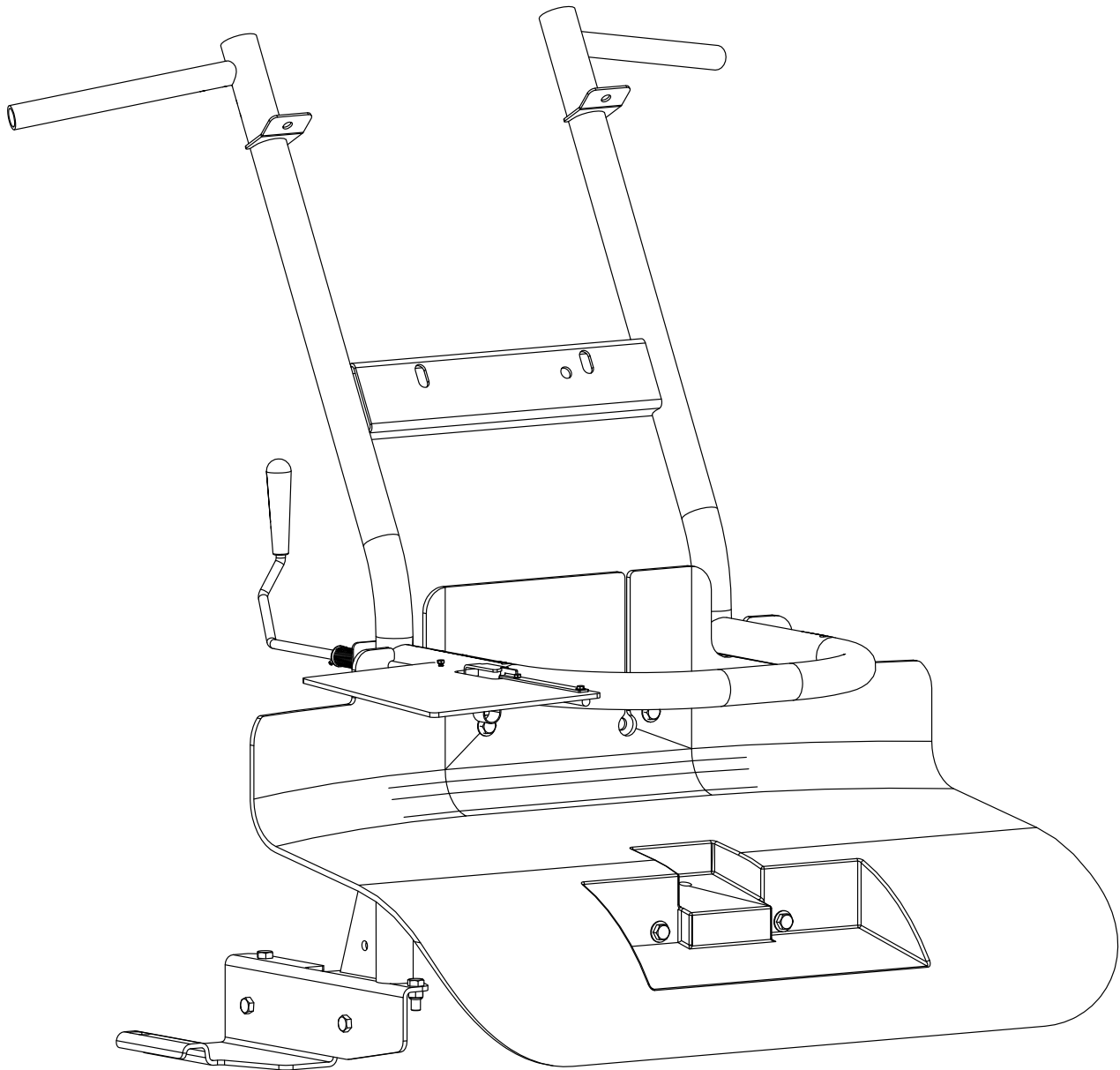
Model # RS7200





# Handle Parts Breakdown

Model # RS7200



ID #	Part #	Qty
1	D5339	1
2	D6169	5
3	F50110	12
4	F50120	1

ID #	Part #	Qty
5	F50174	1
6	F50199	1
7	F50239	1
8	F50320	1

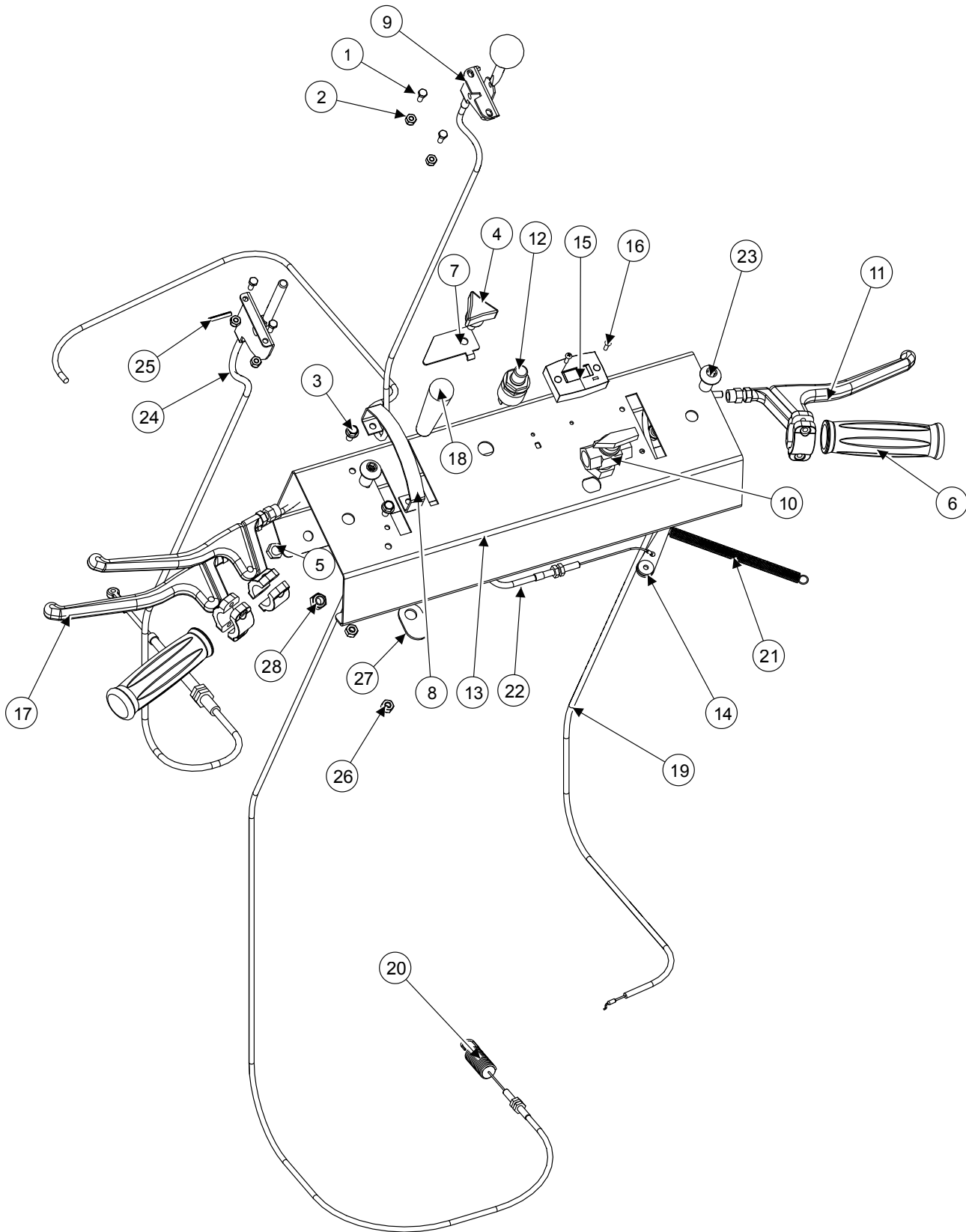
ID #	Part #	Qty
9	F50321	2
10	F50322	3
11	F50323	3
12	F50333	1

ID #	Part #	Qty
13	T14151	1
14	T30728	10

# Dashboard Parts Breakdown



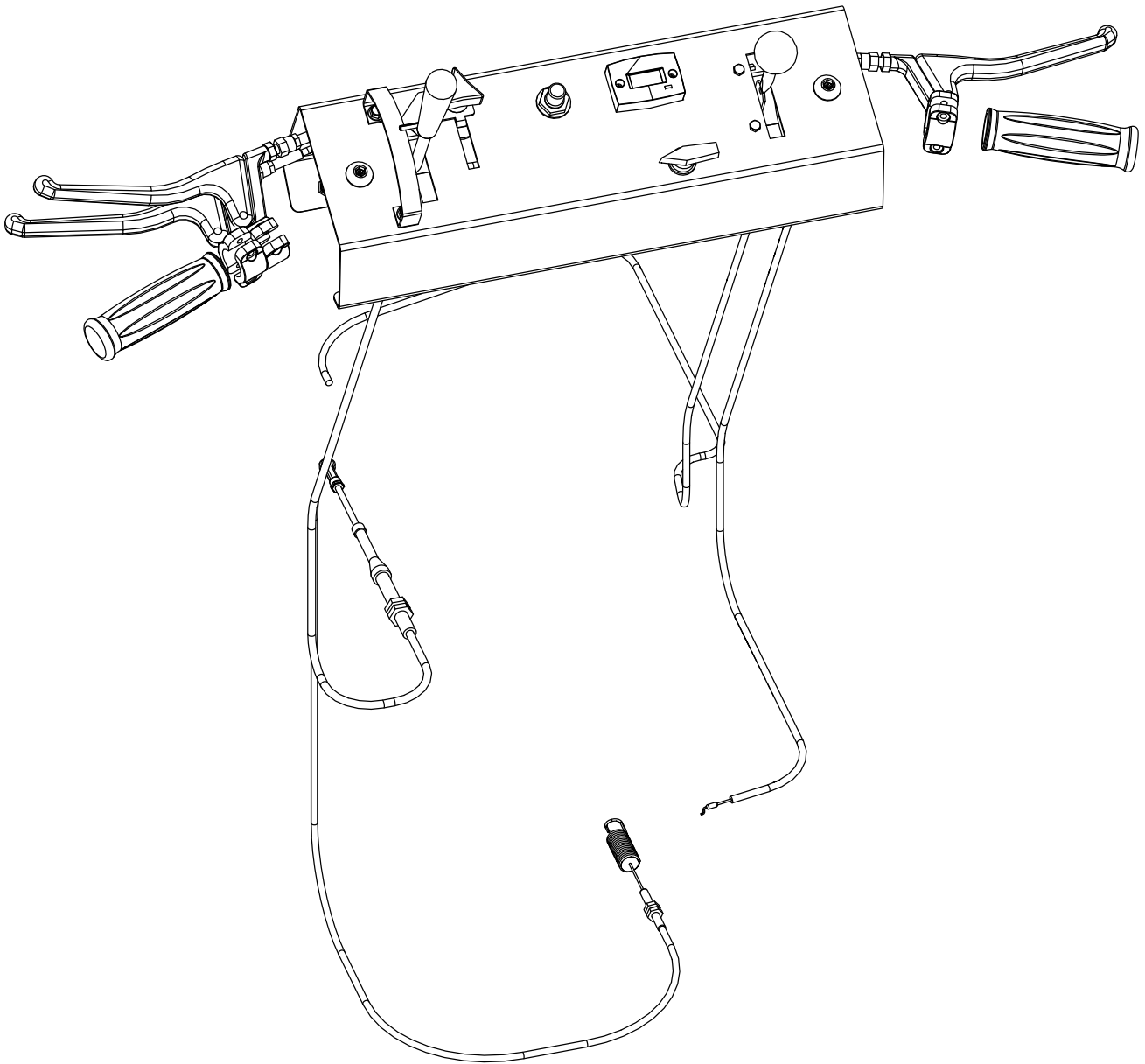
Model # RS7200



# Dashboard Parts Breakdown



Model # RS7200



ID #	Part #	Qty
1	D5905	4
2	D5948	4
3	D6131	2
4	D6302	1
5	D6978	2
6	F50054	2
7	F50096	1
8	F50097	1

ID #	Part #	Qty
9	F50100	1
10	F50104	1
11	F50114	1
12	F50119	1
13	F50129	1
14	F50132	1
15	F50140	1
16	F50152	2

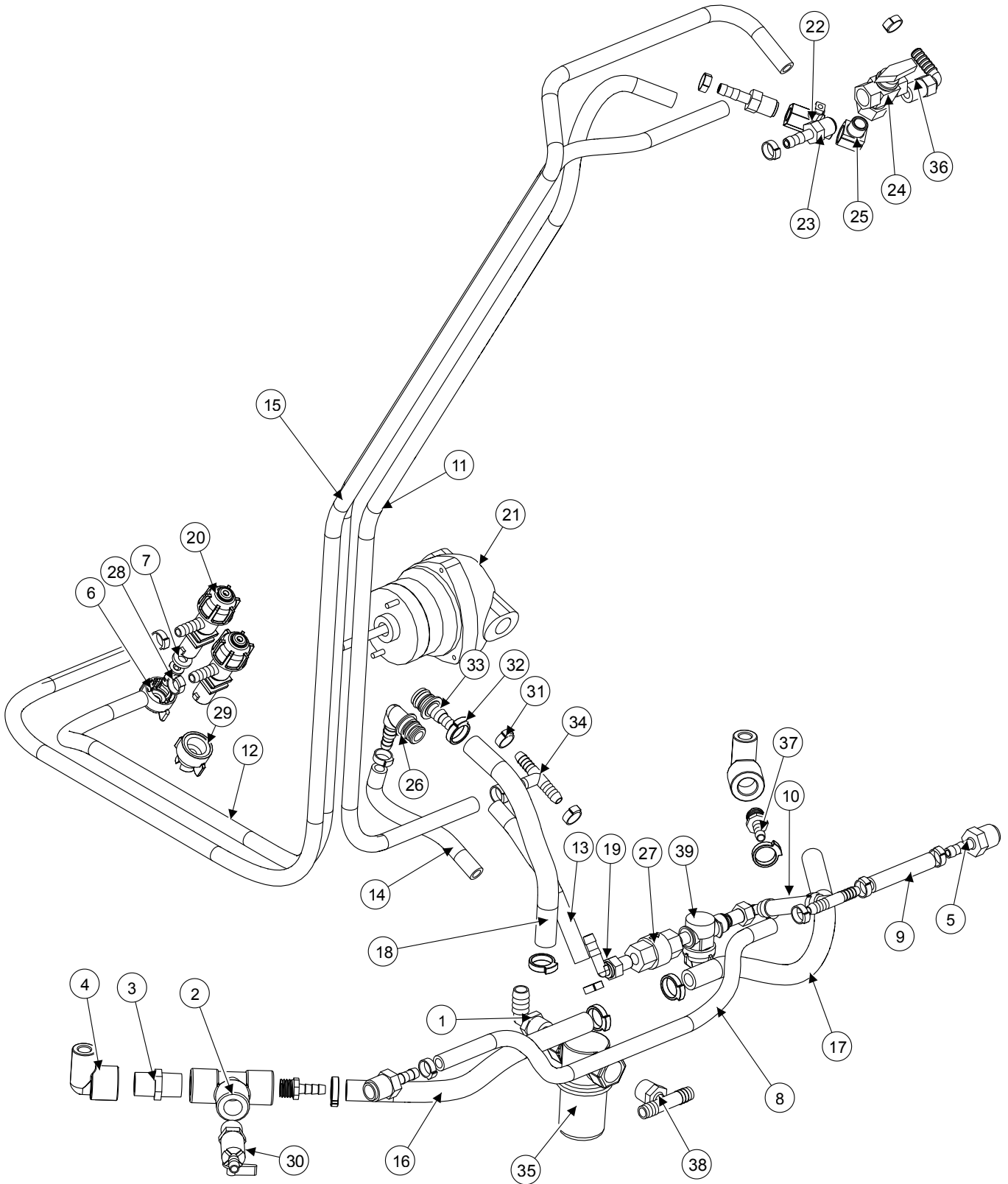
ID #	Part #	Qty
17	F50173	2
18	F50174	1
19	F50175	1
20	F50176	1
21	F50182	1
22	F50217	1
23	F50220	2
24	F50300	1

ID #	Part #	Qty
25	F50321	1
26	T15016	2
27	T15091	1
28	T30728	2

# Plumbing Parts Breakdown



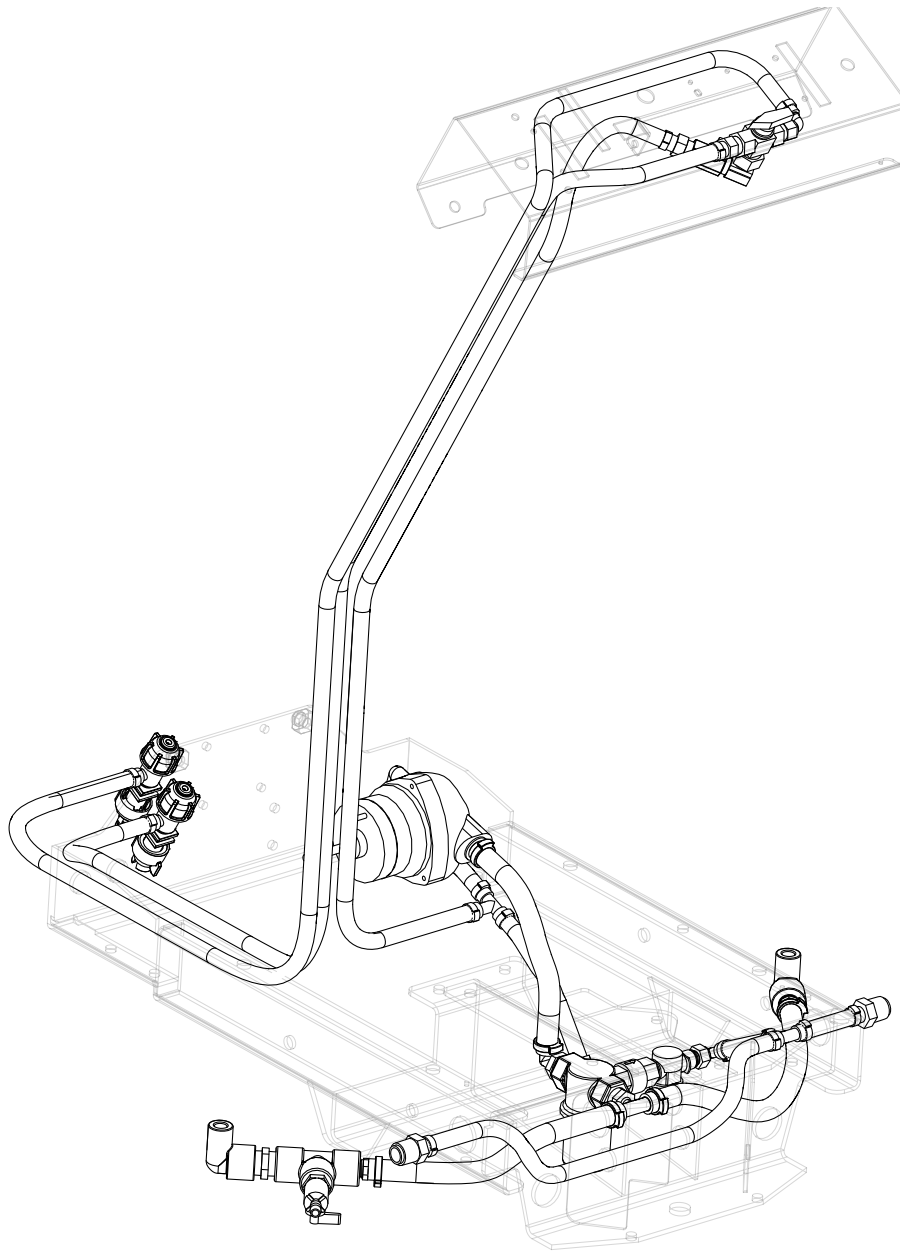
Model # RS7200



# Plumbing Parts Breakdown



Model # RS7200



ID #	Part #	Qty
1	D5329	1
2	D5355	1
3	D6920	1
4	D6923	2
5	D6929	2
6	D6957	1
7	D6961	1
8	D6988-20	1
9	D6988-3	1
10	D6988-4	1
11	D6988-50	1

ID #	Part #	Qty
12	D6988-60	1
13	D6988-7	1
14	D6988-7.5	1
15	D6988-80	1
16	D6989-10.5	1
17	D6989-15	1
18	D6989-9.5	1
19	F50013	2
20	F50015	2
21	F50063	1
22	F50093	1

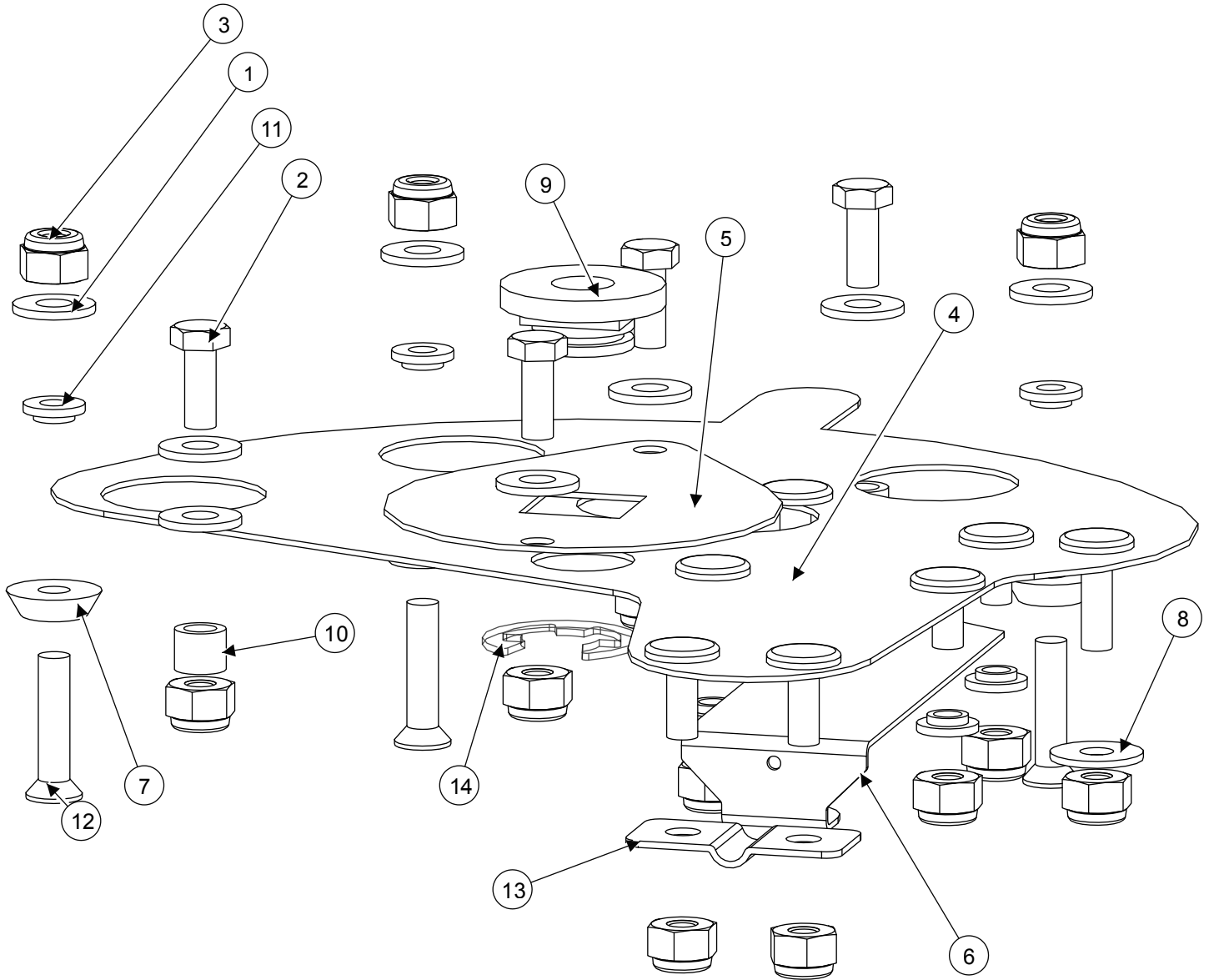
ID #	Part #	Qty
23	F50103	2
24	F50104	1
25	F50105	1
26	F50121	1
27	F50133	1
28	F50136	1
29	F50137	1
30	F50138	1
31	F50145	16
32	F50146	6
33	F50147	1

ID #	Part #	Qty
34	F50148	2
35	T20105	1
36	T20117	1
37	T20119	2
38	T20121	1
39	T20133	1

# Gate Parts Breakdown



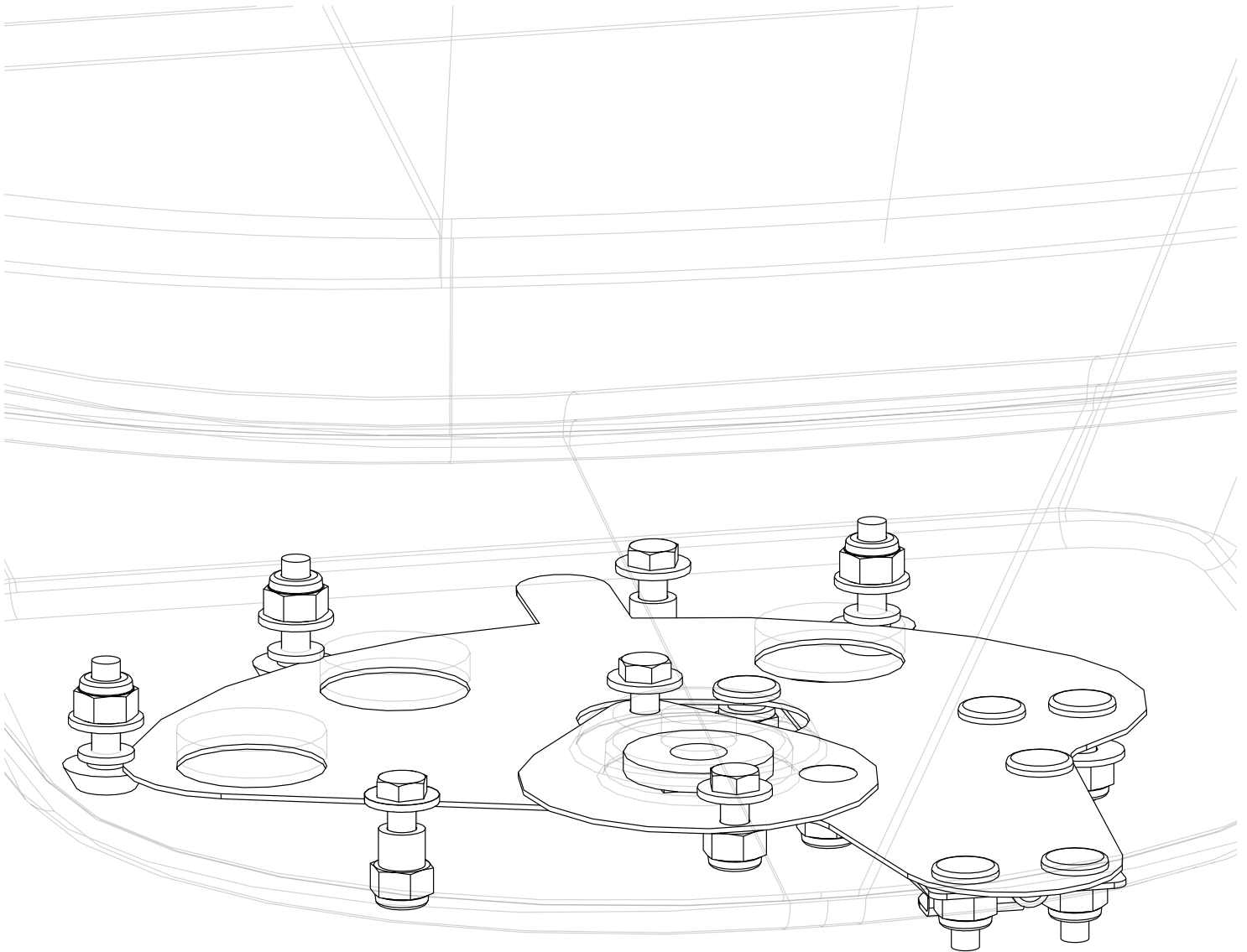
Model # RS7200



# Gate Parts Breakdown



Model # RS7200



ID #	Part #	Qty
1	D5292	8
2	D5905	4
3	D5948	14
4	F50051	1

ID #	Part #	Qty
5	F50052	1
6	F50053	1
7	F50124	3
8	F50125	1

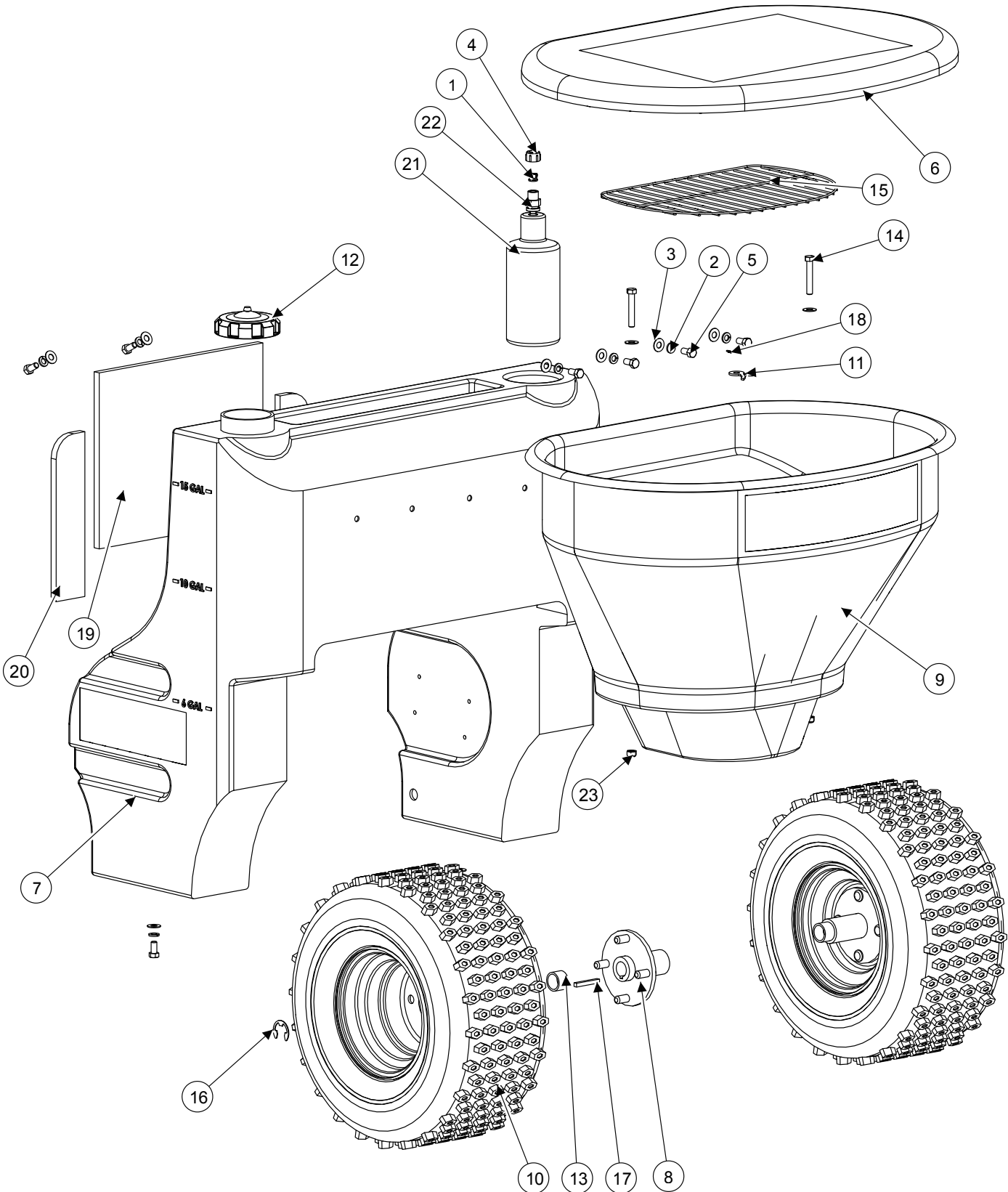
ID #	Part #	Qty
9	F50126	1
10	F50127	2
11	F50128	7
12	F50143	3

ID #	Part #	Qty
13	F50178	1
14	F50297	1

# Hopper & Tank Parts Breakdown



Model # RS7200

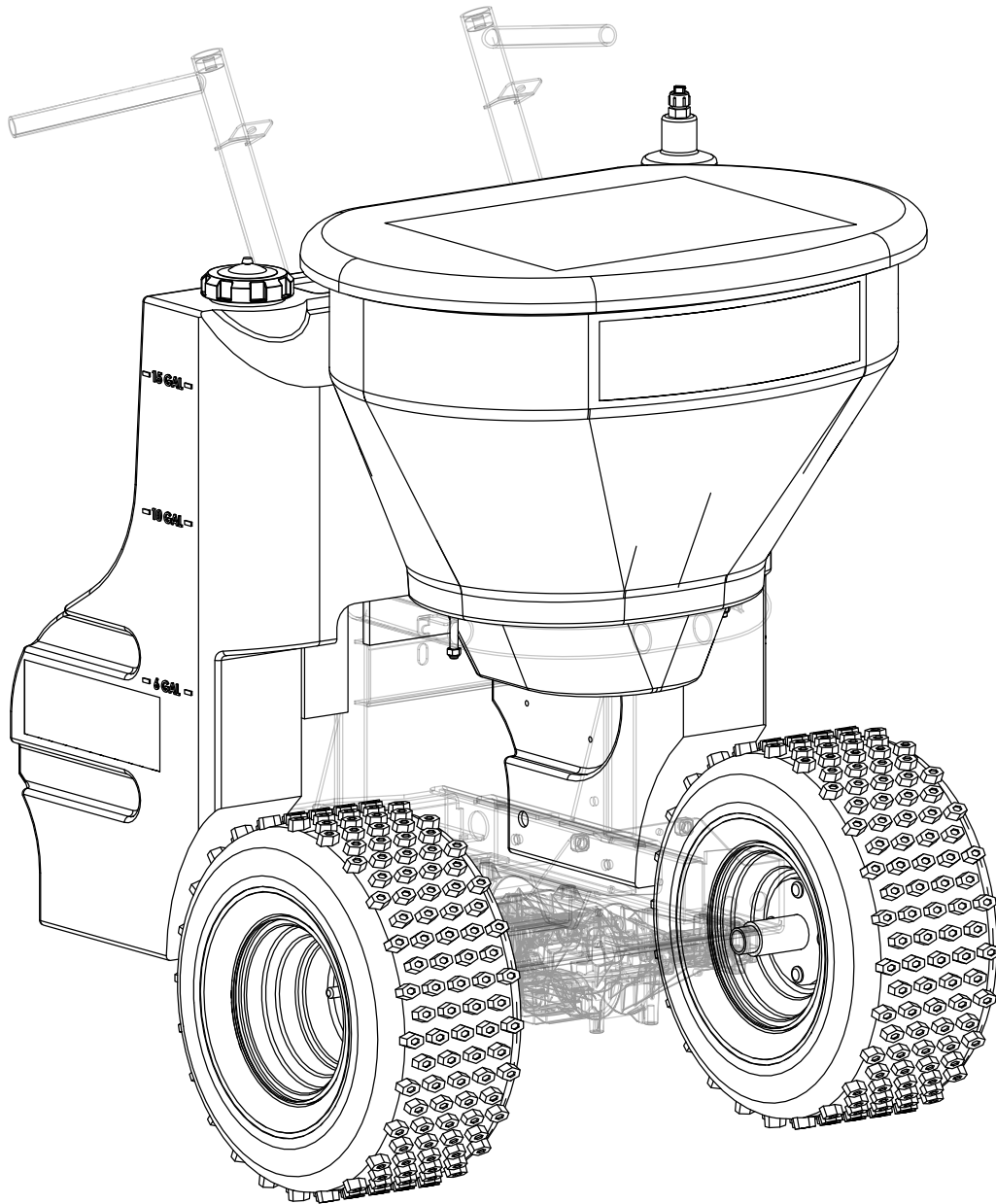




# Hopper & Tank Parts Breakdown



Model # RS7200



ID #	Part #	Qty
1	D5232	1
2	D5336	8
3	D6169	10
4	D6953	1
5	D6978	8
6	D7291	1
7	F50045	1

ID #	Part #	Qty
8	F50047	2
9	F50055	1
10	F50059	2
11	F50084	1
12	F50102	1
13	F50130	2
14	F50150	2

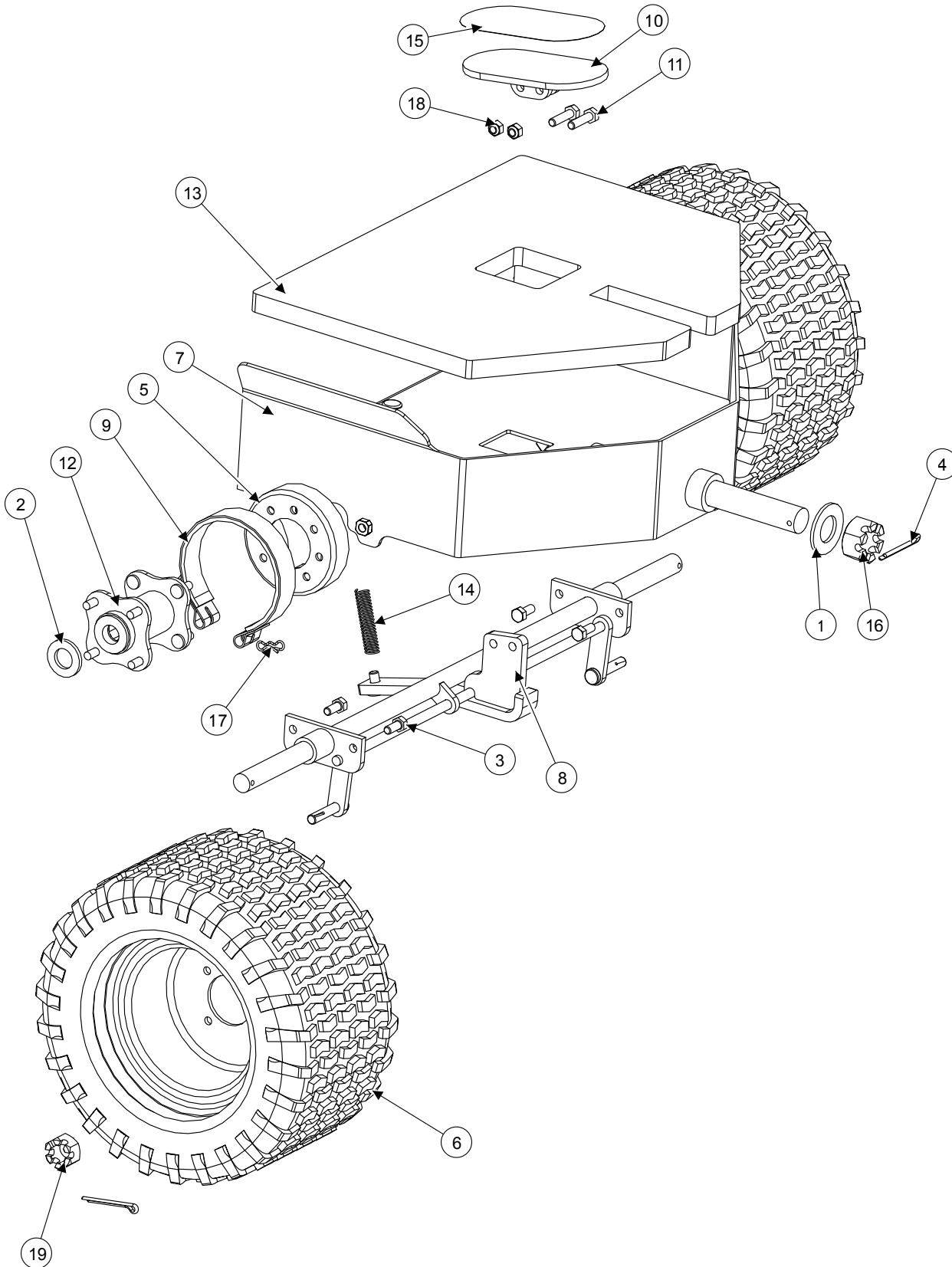
ID #	Part #	Qty
15	F50179	1
16	F50207	2
17	F50208	2
18	F50213	1
19	F50276	1
20	F50279	2
21	F50324	1

ID #	Part #	Qty
22	F50337	1
23	T30728	2

# Sulky Parts Breakdown



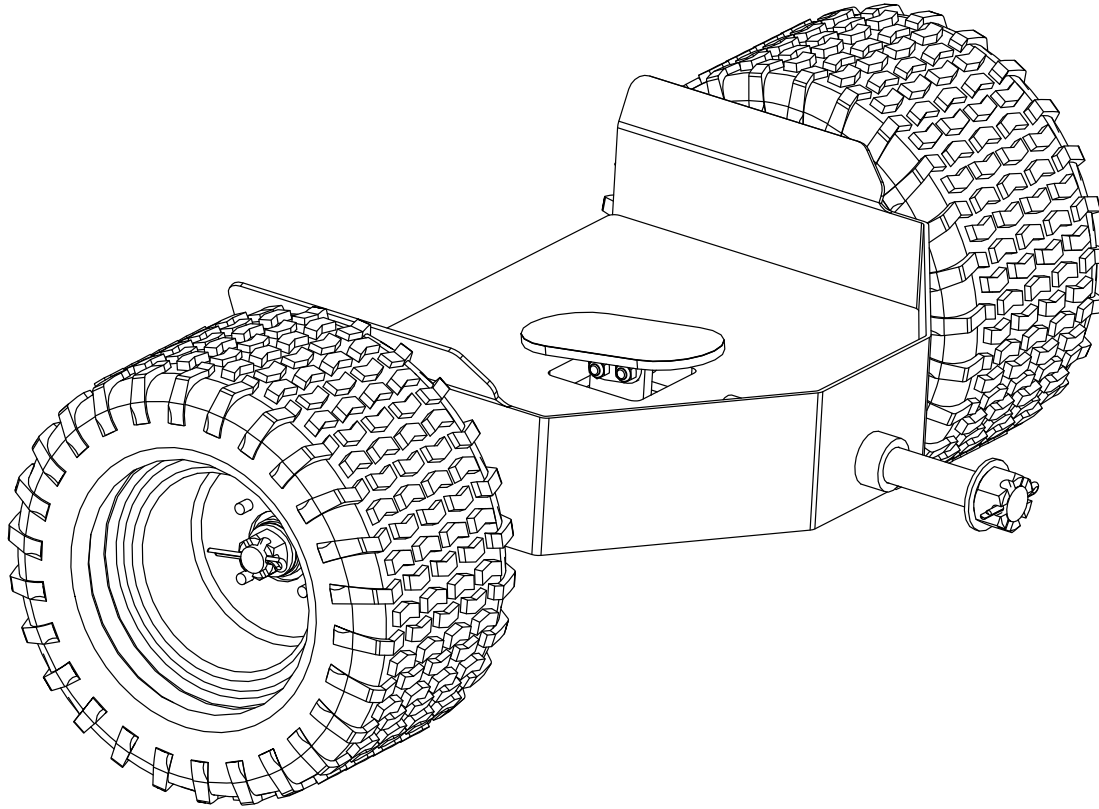
Model # RS7200



# Sulky Parts Breakdown



Model # RS7200



ID #	Part #	Qty
1	D4321	1
2	D4409	2
3	D5209	4
4	D5919	3
5	F50046	2

ID #	Part #	Qty
6	F50064	2
7	F50070	1
8	F50071	1
9	F50072	2
10	F50073	1

ID #	Part #	Qty
11	F50112	2
12	F50131	2
13	F50141	1
14	F50183	1
15	F50191	1

ID #	Part #	Qty
16	F50209	1
17	F50213	4
18	T15018	2
19	T30739	2



