

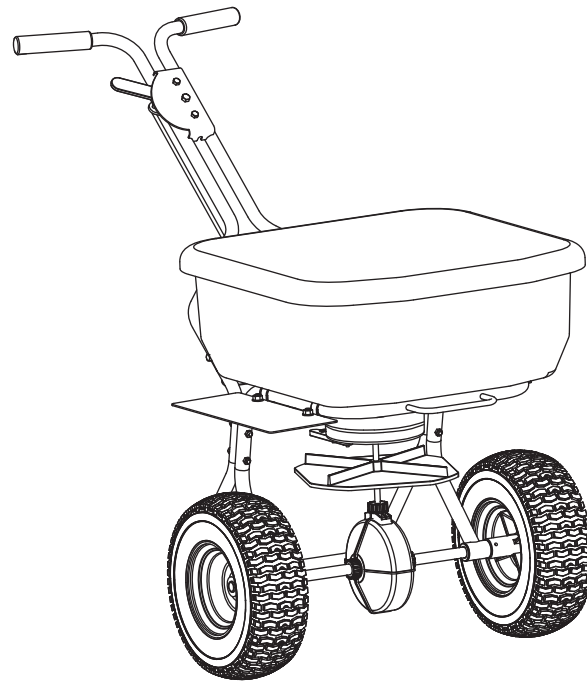
November 1, 2017
Lit. No. 76757, Rev. 00



Walk-Behind Broadcast Spreader

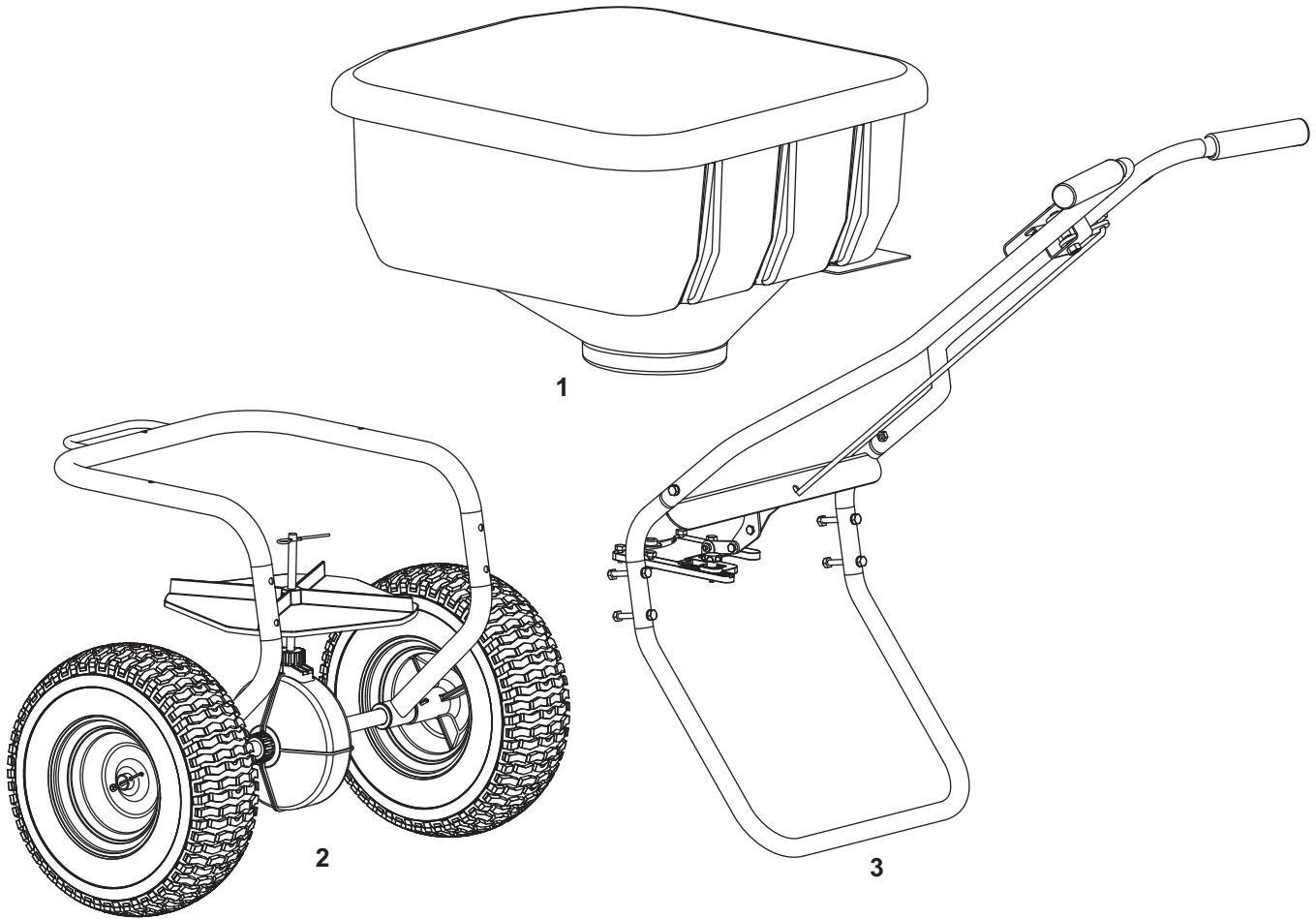
TS-85 & TS-85SS

Parts List



TS-85 WALK-BEHIND BROADCAST SPREADER

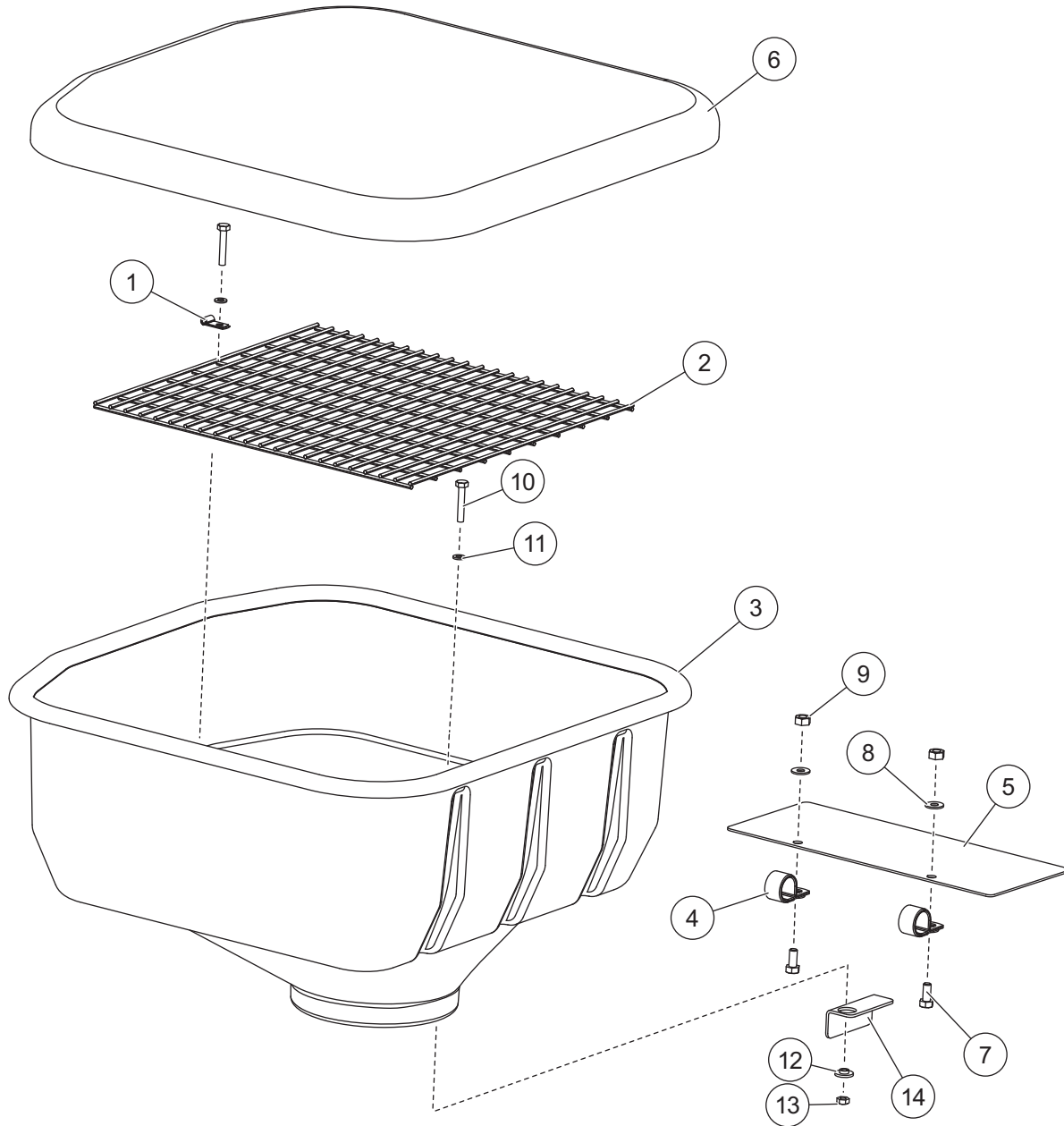
SUB-ASSEMBLIES: MODEL TS-85



TS-85 Sub-Assemblies					
Item	Qty	Description	Item	Qty	Description
1	1	Hopper Assembly	3	1	Upper Handle Gate Assembly
2	1	Lower Axle Assembly			

TS-85 WALK-BEHIND BROADCAST SPREADER

HOPPER COMPONENTS: MODEL TS-85



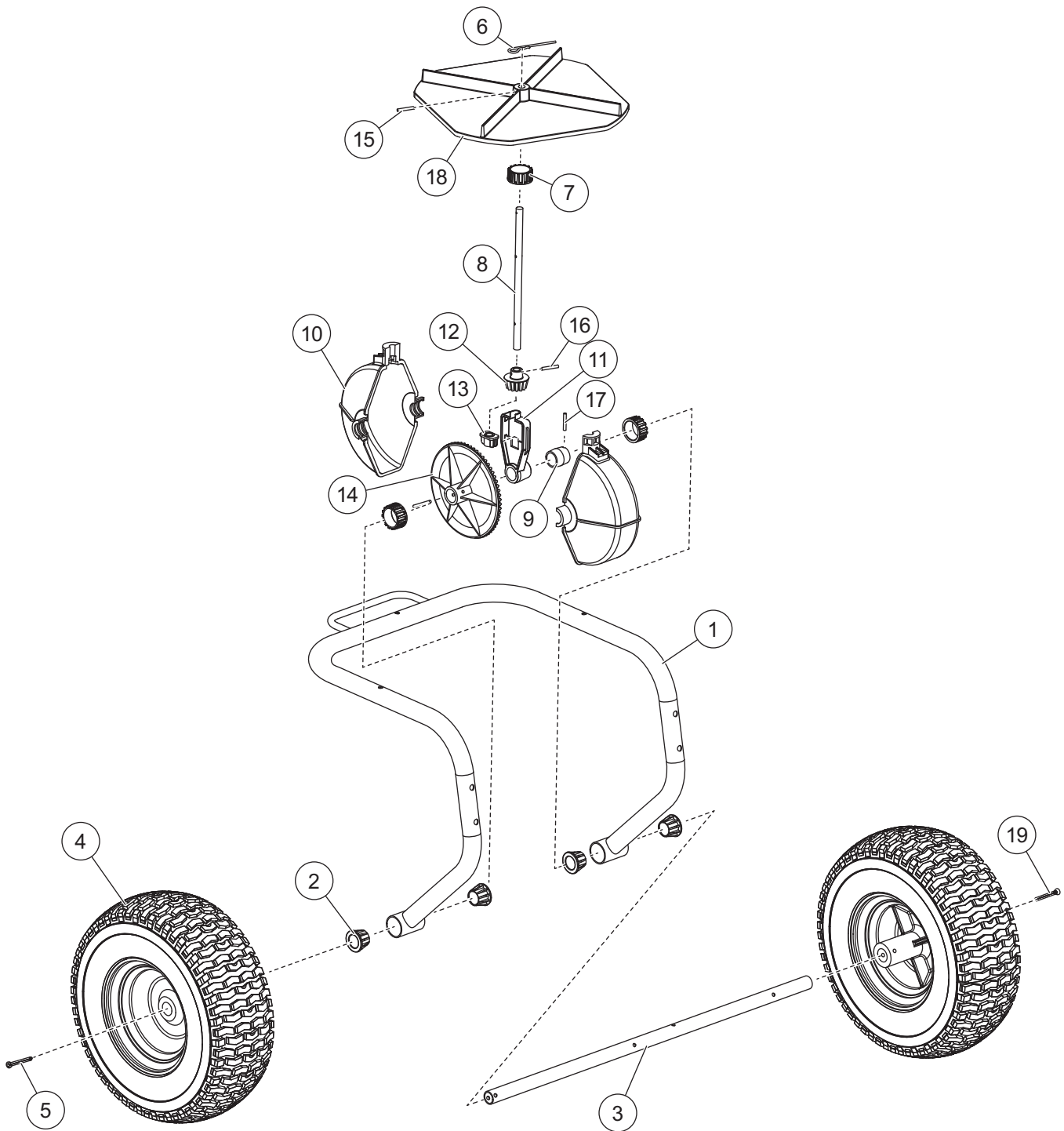
TS-85 Hopper Components

Item	Part	Qty	Description	Item	Part	Qty	Description
1	D5920	1	1/8" Rubber Coated Screen Clip	8	D5949	2	5/16 Washer SS
2	D5903	1	Screen	9	T15018	2	5/16-18 Nylon Locknut
3	T30151	1	Hopper	10	D5907	1	1/4-20 x 1-3/8 Hex Cap Screw SS
4	D5940	1	Deflector Clamps	11	T15014	1	1/4 Flat Washer
5	D5932	1	Side Deflector	12	D5952	1	1/4 x 1 Fender Washer
6	D6041	1	Weather Cover	13	D5942	1	1/4-20 Hex Nut
7	T15049	2	5/16-18 x 1/2 Hex Cap Screw SS	14	D5951	1	Deflector Support Bracket

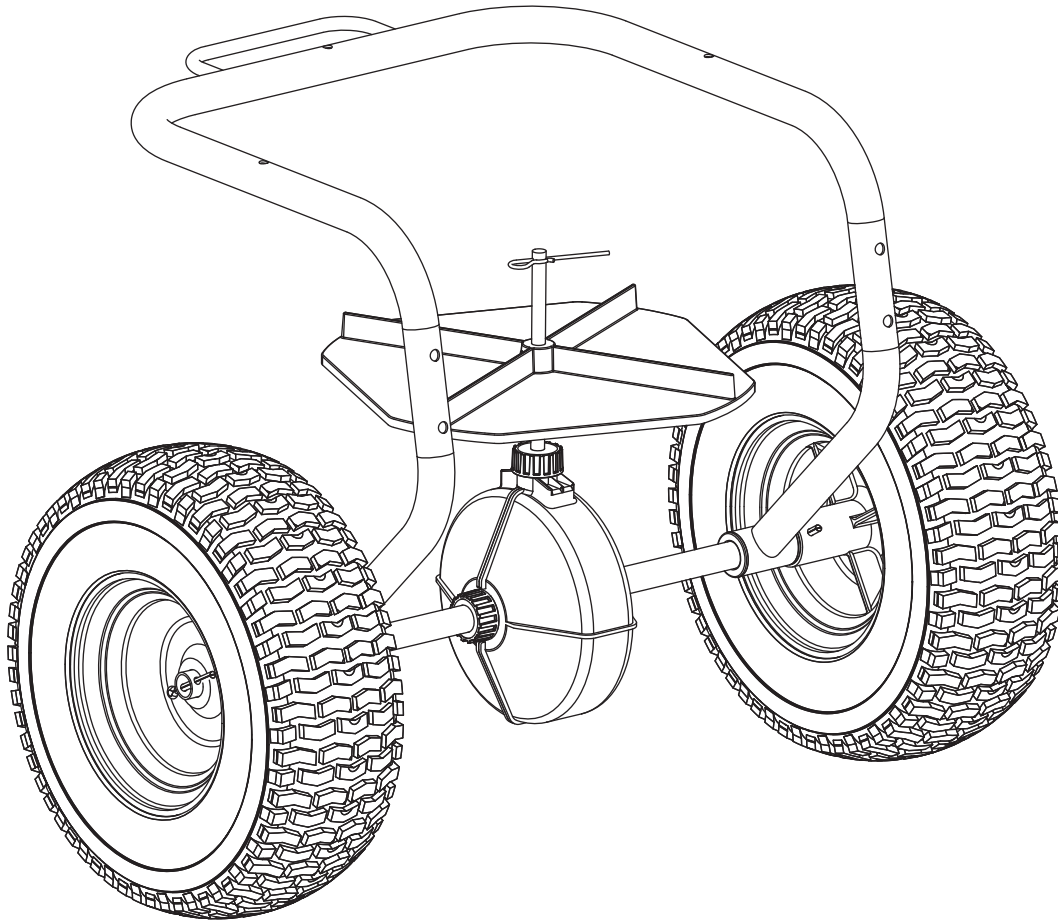
SS = Stainless Steel

TS-85 WALK-BEHIND BROADCAST SPREADER

LOWER AXLE ASSEMBLY: MODEL TS-85



TS-85 WALK-BEHIND BROADCAST SPREADER



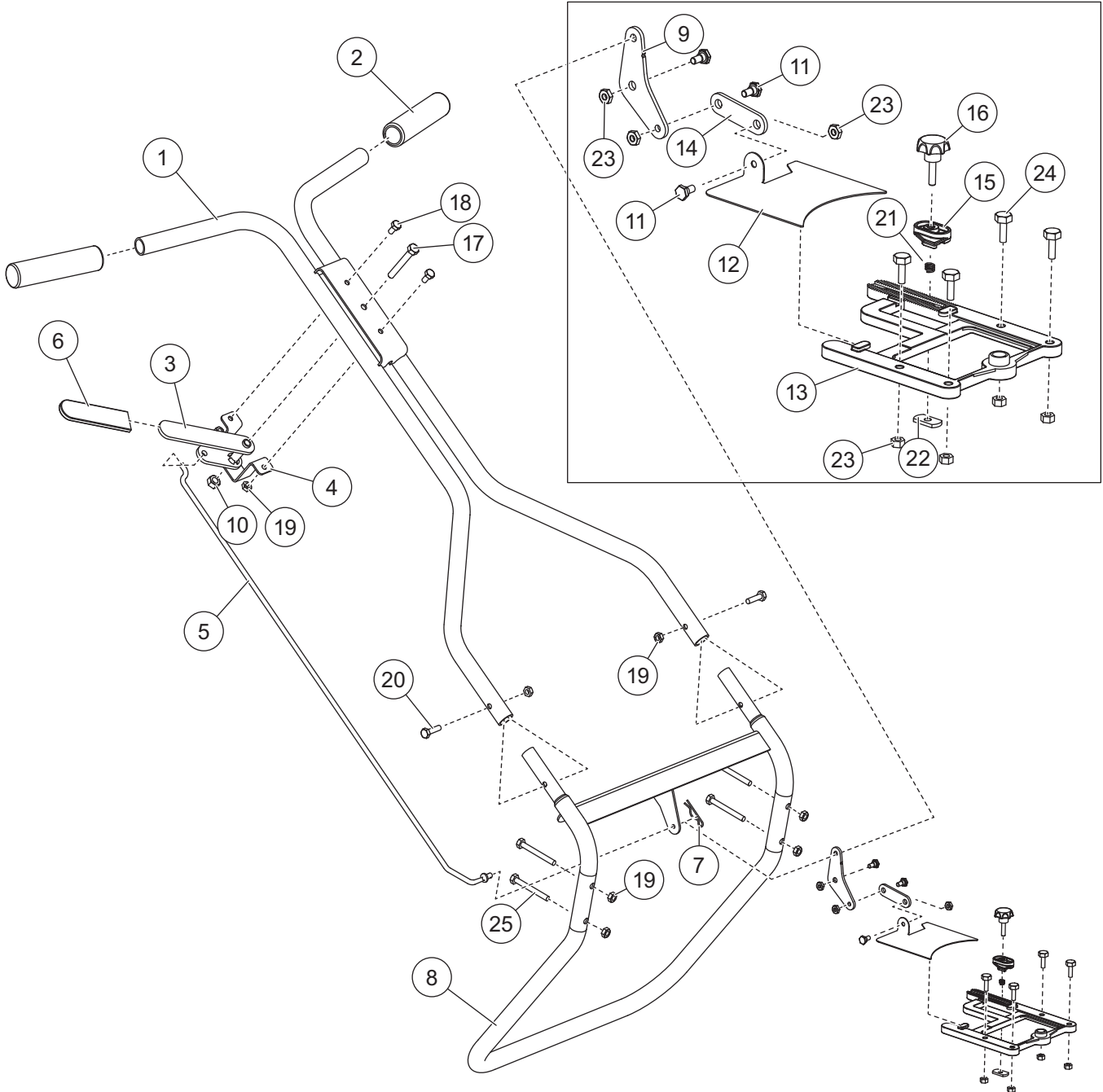
TS-85 Lower Axle Assembly Components

Item	Part	Qty	Description	Item	Part	Qty	Description
1	D5901	1	Hopper Frame	11	D5913	1	Gear Support
2	D5923	4	Axle Bushing	12	D5910	1	Pinion Gear
3	D5915	1	Axle	13	D5926	1	Shaft Insert
4	D5904	2	Wheel	14	D5909	1	Drive Gear
5	D5947	2	3/16 x 1-1/2 Cotter Pin SS	15	D5939	1	Spring Pin Spinner
6	D5922	1	Agitator Wire	16	D5938	1	Spring Pin Pinion Gear
7	D5930	3	Lock Ring	17	D5921	1	Roll Pin Drive Gear
8	D5916	1	Spinner Shaft	18	D5902	1	Plastic Spinner
9	D5941	1	Axle Spacer	19	D5919	1	3/16 x 2 Cotter Pin SS
10	D5911	2	Gear Cover				

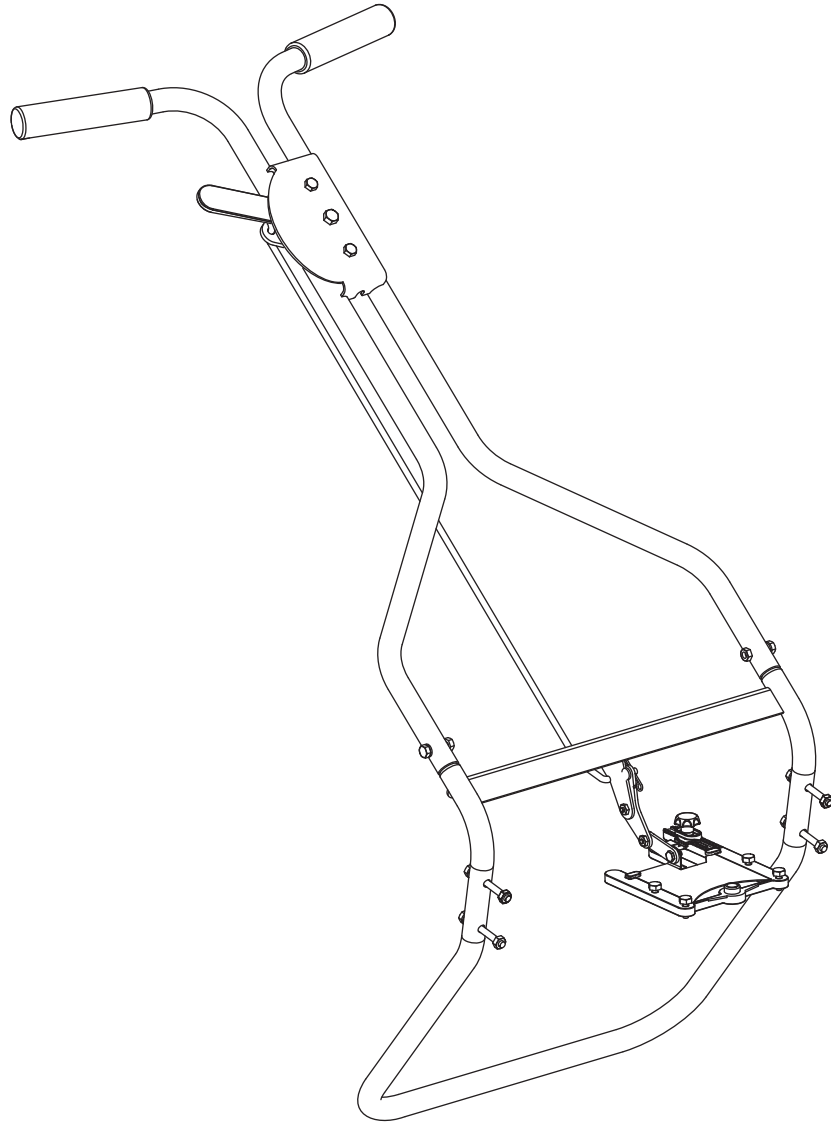
SS = Stainless Steel

TS-85 WALK-BEHIND BROADCAST SPREADER

HANDLE ASSEMBLY COMPONENTS: MODEL TS-85



TS-85 WALK-BEHIND BROADCAST SPREADER



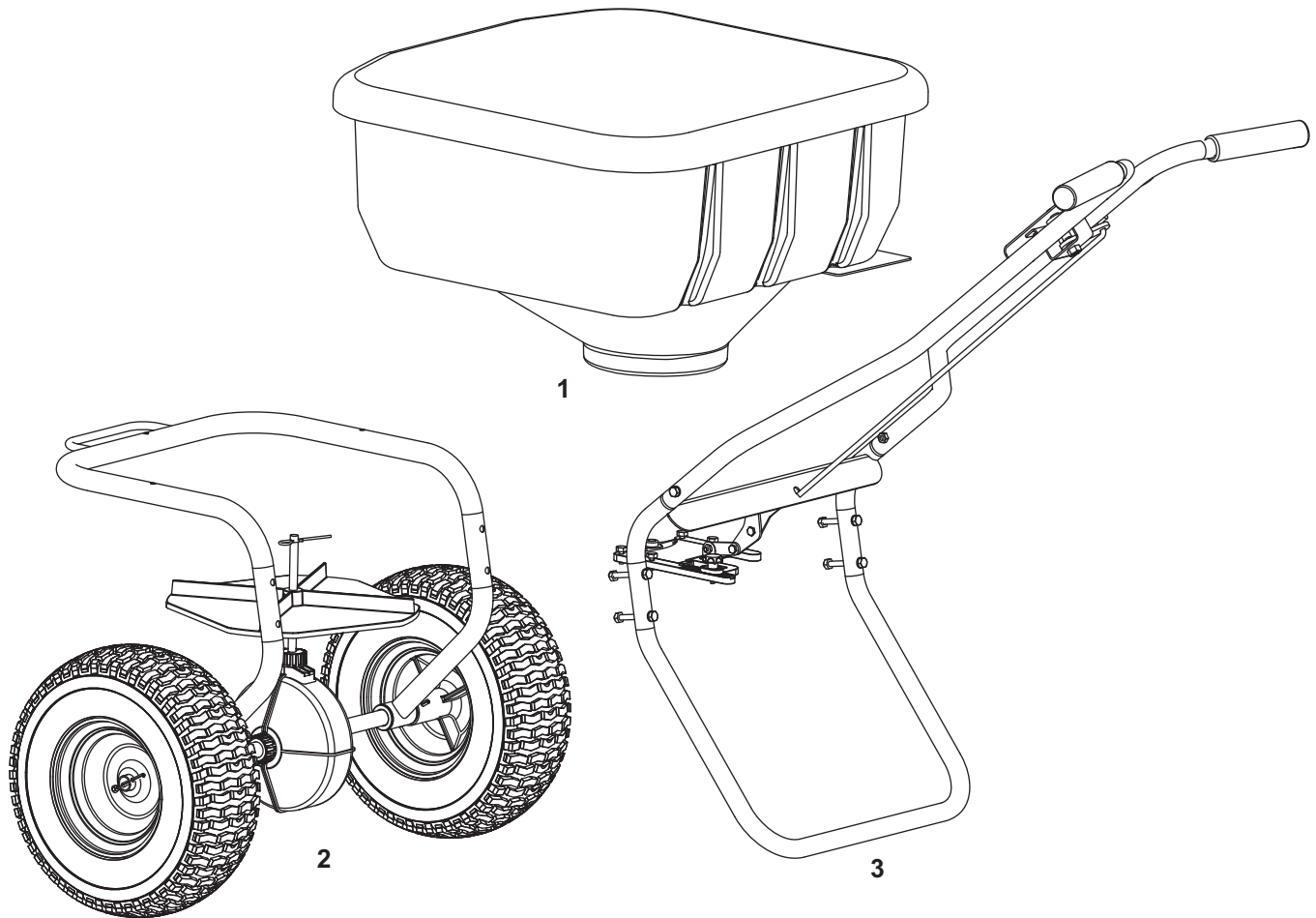
TS-85 Handle Assembly Components

Item	Part	Qty	Description	Item	Part	Qty	Description
1	D5908	1	Upper Handle	14	D5934	1	Link Arm
2	D5917	2	Handle Grip	15	D5927	1	Gate Stop Block
3	D5925	1	Gate Handle	16	D5935	1	Locking Knob
4	D5924	1	Gate Handle Bracket	17	D5946	1	5/16-18 x 2-1/4 Hex Cap Screw SS
5	D5918	1	Actuator Road	18	D5944	2	1/4-20 x 1/2 Hex Cap Screw SS
6	D5929	1	Gate Handle Cover	19	T15016	8	1/4-20 Nylon Locknut SS
7	D5945	1	Hairpin Clip/Actuator Rod	20	D5907	2	1/4-20 x 1-3/8 Hex Cap Screw SS
8	D5906	1	Frame Stand	21	D5936	1	Adjustment Knob Spring
9	D5933	1	Cam	22	D5928	1	#10 Flat Nut
10	T15018	1	5/16-18 Nylon Locknut	23	D5948	6	#10-32 Nylon Locknut SS
11	D5937	1	Pivot Bolt	24	D5905	4	#10-32 x 1/2 Hex Cap Screw SS
12	D5914	1	Gate Slide	25	D5943	4	1/4-20 x 2-1/4 Hex Cap Screw SS
13	D5912	1	Gate Track				

SS = Stainless Steel

TS-85SS WALK-BEHIND BROADCAST SPREADER

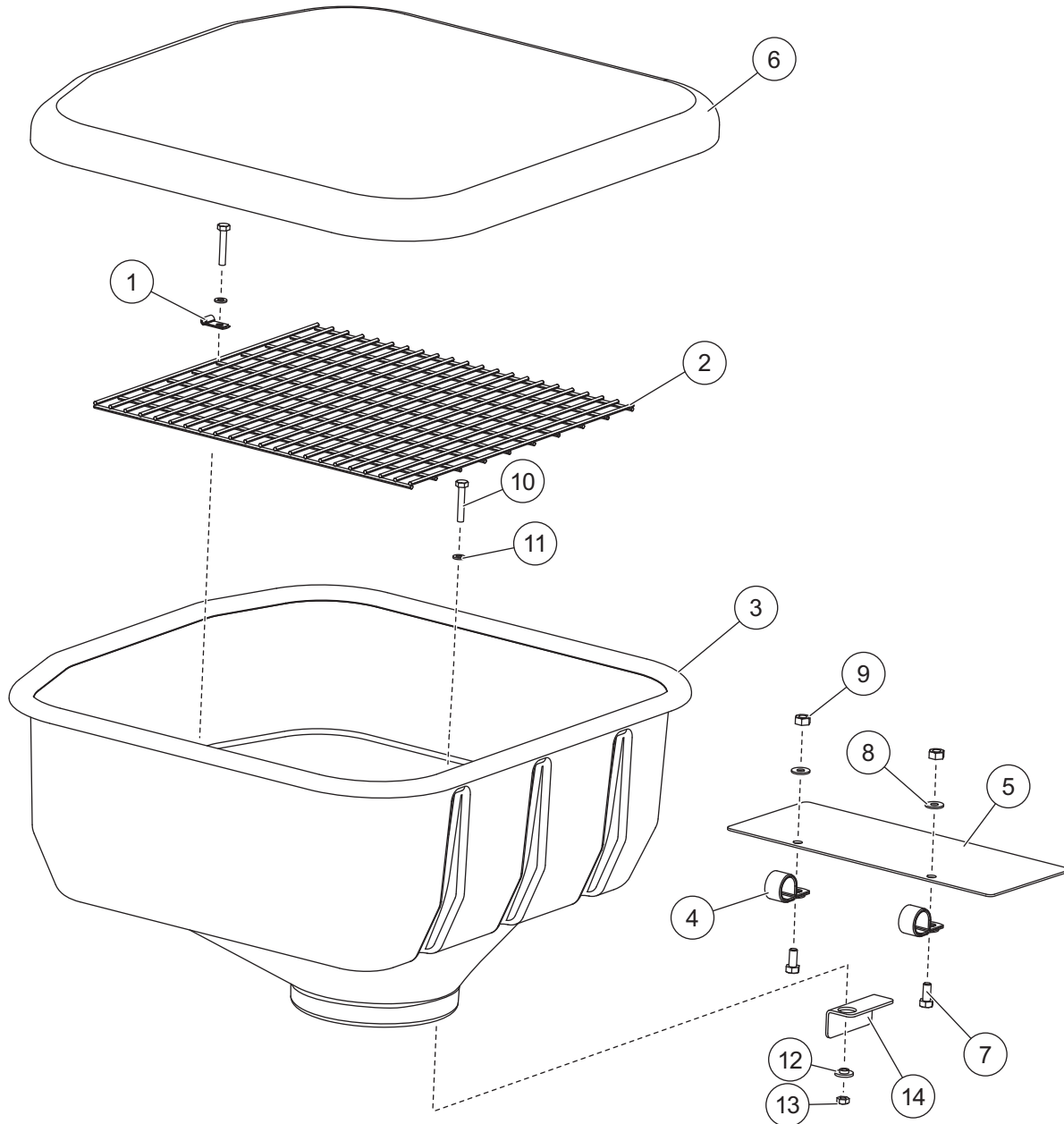
SUB-ASSEMBLIES: MODEL TS-85SS



TS-85SS Sub-Assemblies					
Item	Qty	Description	Item	Qty	Description
1	1	Hopper Assembly	3	1	Upper Handle Gate Assembly
2	1	Lower Axle Assembly			

TS-85SS WALK-BEHIND BROADCAST SPREADER

HOPPER COMPONENTS: MODEL TS-85SS



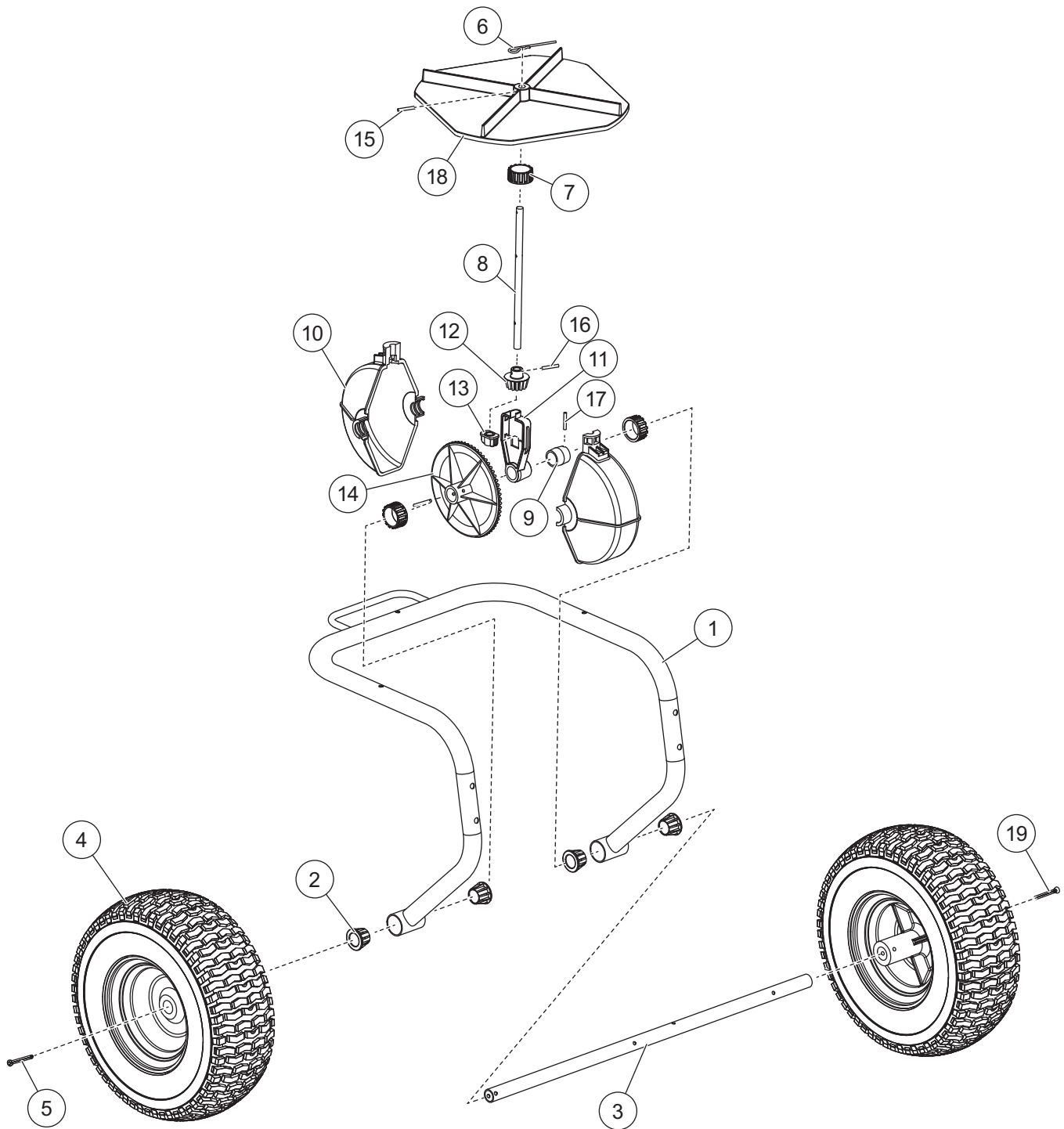
TS-85SS Hopper Components

Item	Part	Qty	Description	Item	Part	Qty	Description
1	D5920	1	1/8" Rubber Coated Screen Clip	8	D5949	2	5/16 Washer SS
2	D5903	1	Screen	9	T15018	2	5/16-18 Nylon Locknut
3	T30151	1	Hopper	10	D5907	1	1/4-20 x 1-3/8 Hex Cap Screw SS
4	D5940	1	Deflector Clamps	11	T15014	1	1/4 Flat Washer
5	D5932	1	Side Deflector	12	D5952	1	1/4 x 1 Fender Washer
6	D6041	1	Weather Cover	13	D5942	1	1/4-20 Hex Nut
7	T15049	2	5/16-18 x 1/2 Hex Cap Screw SS	14	D5951	1	Deflector Support Bracket

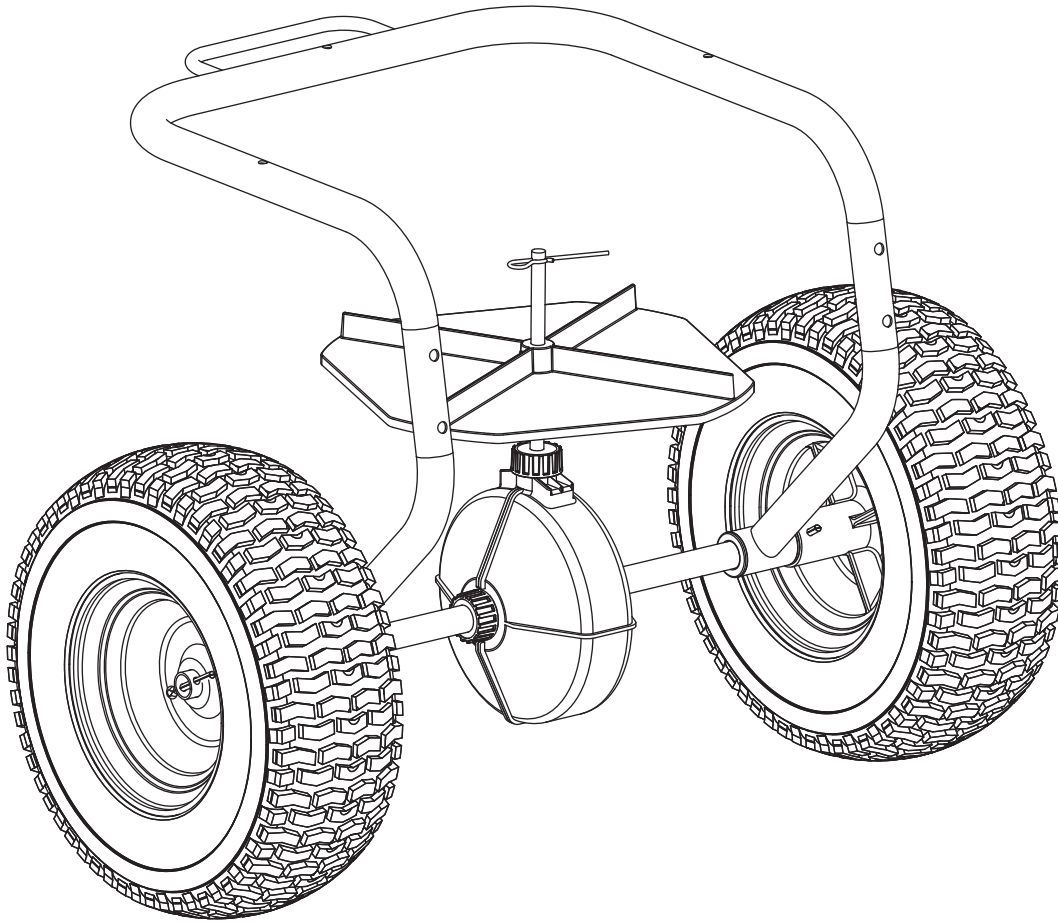
SS = Stainless Steel

TS-85SS WALK-BEHIND BROADCAST SPREADER

LOWER AXLE ASSEMBLY: MODEL TS-85SS



TS-85SS WALK-BEHIND BROADCAST SPREADER



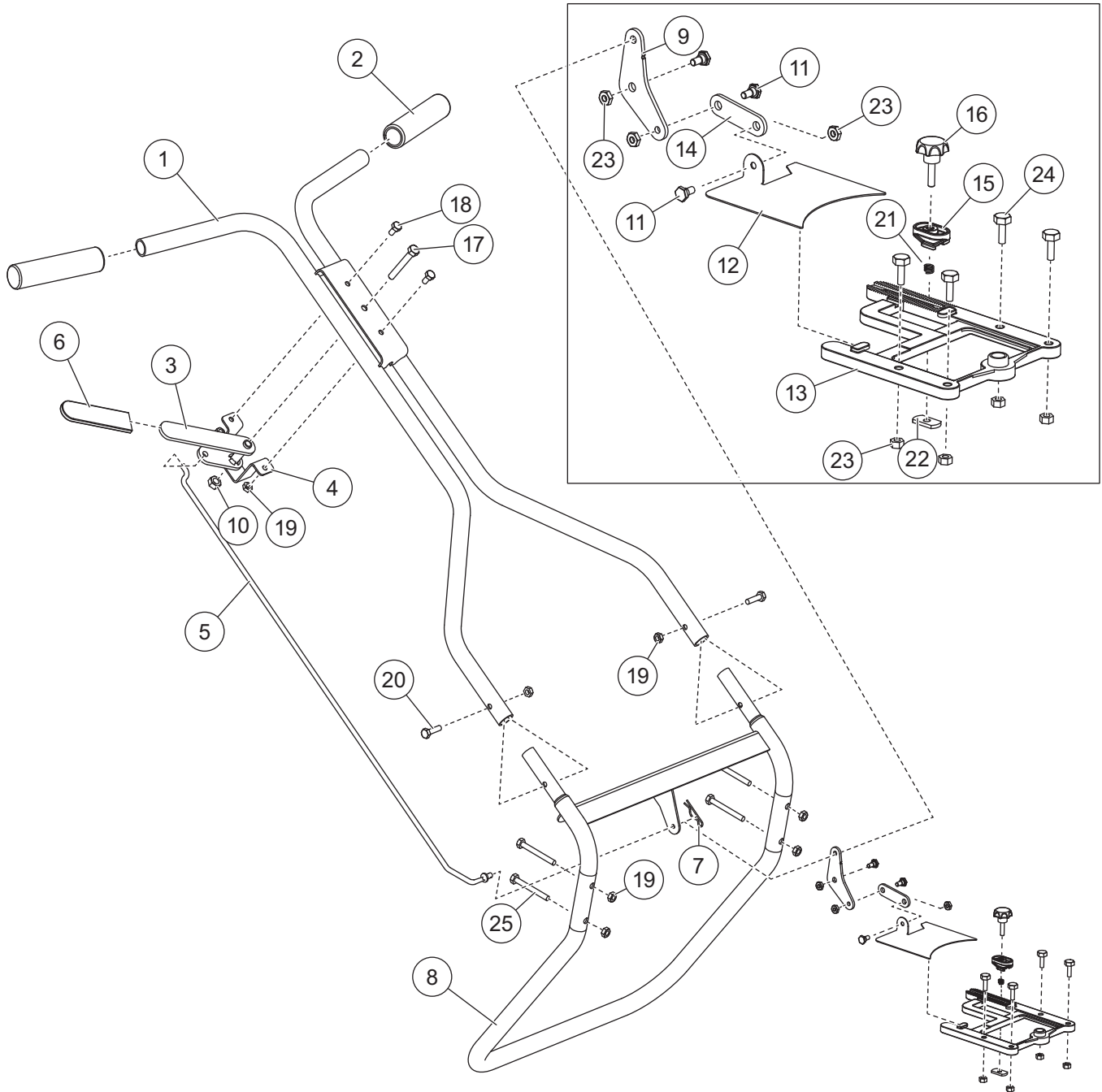
TS-85SS Lower Axle Assembly Components

Item	Part	Qty	Description	Item	Part	Qty	Description
1	T30152	1	Hopper Frame SS	11	D5913	1	Gear Support
2	D5923	4	Axle Bushing	12	D5910	1	Pinion Gear
3	D5915	1	Axle	13	D5926	1	Shaft Insert
4	D5904	2	Wheel	14	D5909	1	Drive Gear
5	D5947	2	3/16 x 1-1/2 Cotter Pin SS	15	D5939	1	Spring Pin Spinner
6	D5922	1	Agitator Wire	16	D5938	1	Spring Pin Pinion Gear
7	D5930	3	Lock Ring	17	D5921	1	Roll Pin Drive Gear
8	D5916	1	Spinner Shaft	18	D5902	1	Plastic Spinner
9	D5941	1	Axle Spacer	19	D5919	1	3/16 x 2 Cotter Pin SS
10	D5911	2	Gear Cover				

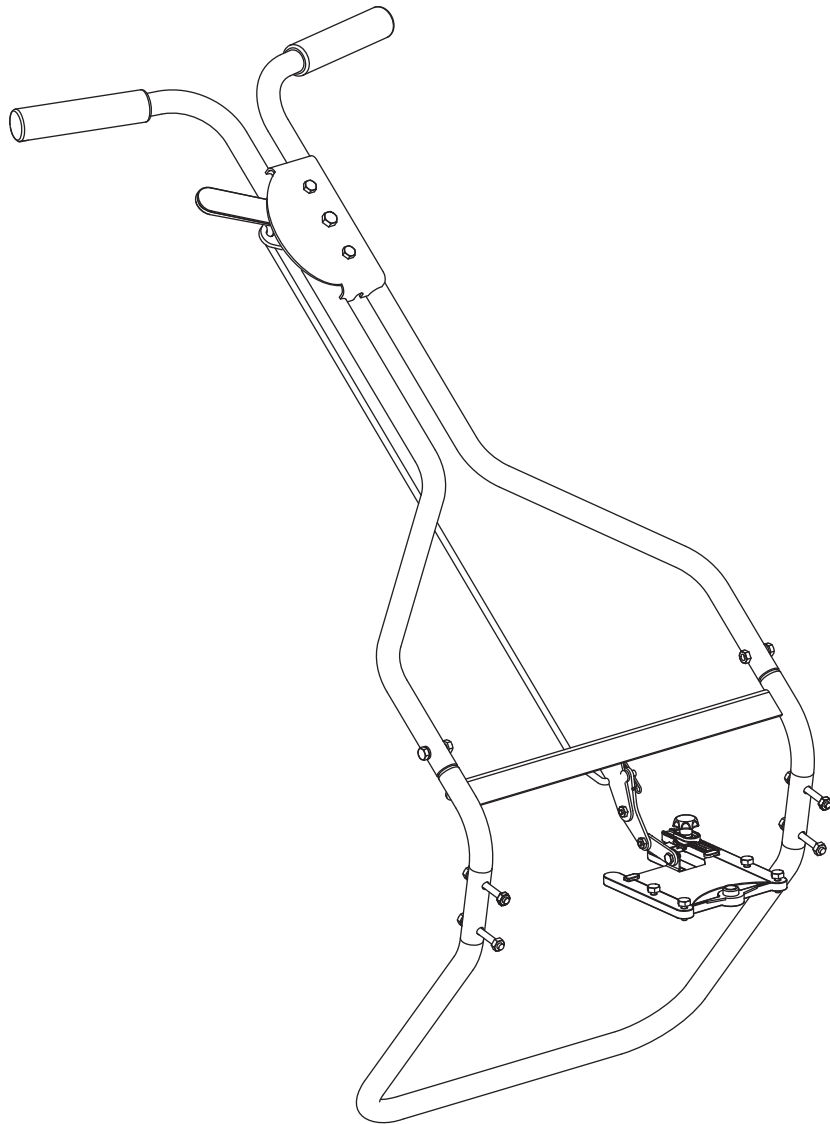
SS = Stainless Steel

TS-85SS WALK-BEHIND BROADCAST SPREADER

HANDLE ASSEMBLY COMPONENTS: MODEL TS-85SS



TS-85SS WALK-BEHIND BROADCAST SPREADER



TS-85SS Handle Assembly Components

Item	Part	Qty	Description	Item	Part	Qty	Description
1	T30153	1	Upper Handle SS	14	D5960	1	Stainless Steel Link Arm
2	D5917	2	Handle Grip	15	D5927	1	Gate Stop Block
3	D5925	1	Gate Handle	16	D5935	1	Locking Knob
4	D5924	1	Gate Handle Bracket	17	D5946	1	5/16-18 x 2-1/4 Hex Cap Screw SS
5	T30154	1	Actuator Rod SS	18	D5944	2	1/4-20 x 1/2 Hex Cap Screw SS
6	D5929	1	Gate Handle Cover	19	T15016	8	1/4-20 Nylon Locknut SS
7	D5945	1	Hairpin Clip/Actuator Rod	20	D5907	2	1/4-20 x 1-3/8 Hex Cap Screw SS
8	T30152	1	Frame Stand SS	21	D5936	1	Adjustment Knob Spring
9	D5959	1	Cam SS	22	D5928	1	#10 Flat Nut
10	T15018	1	5/16-18 Nylon Locknut	23	D5948	6	#10-32 Nylon Locknut SS
11	D5937	1	Pivot Bolt	24	D5905	4	#10-32 x 1/2 Hex Cap Screw SS
12	D5914	1	Gate Slide	25	D5943	4	1/4-20 x 2-1/4 Hex Cap Screw SS
13	D5912	1	Gate Track				

SS = Stainless Steel



TrynEx International
531 Ajax Drive
Madison Heights, MI 48071-2429
www.turfexproducts.com

 A DIVISION OF DOUGLAS DYNAMICS, LLC

Copyright © 2017 Douglas Dynamics, LLC. All rights reserved. This material may not be reproduced or copied, in whole or in part, in any printed, mechanical, electronic, film, or other distribution and storage media, without the written consent of TrynEx International, LLC. Authorization to photocopy items for internal or personal use by TrynEx International outlets or spreader owner is granted.

TrynEx International reserves the right under its product improvement policy to change construction or design details and furnish equipment when so altered without reference to illustrations or specifications used. TrynEx International may require or recommend optional equipment for spreaders. TrynEx International offers a limited warranty for all spreaders and accessories. See separately printed page for this important information. The following is a registered (®) trademark of Douglas Dynamics, LLC: TurfEx®.

Printed in U.S.A.