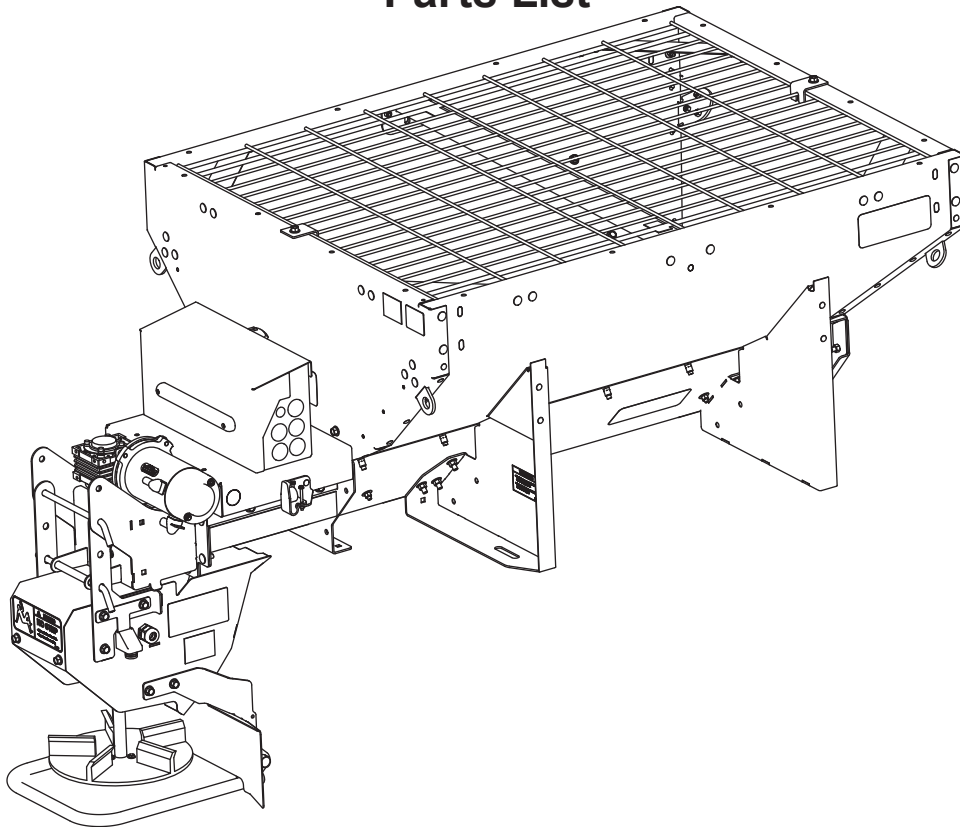




HELIXX™ Stainless Steel Hopper Spreader

0.35 yd³ & 0.7 yd³

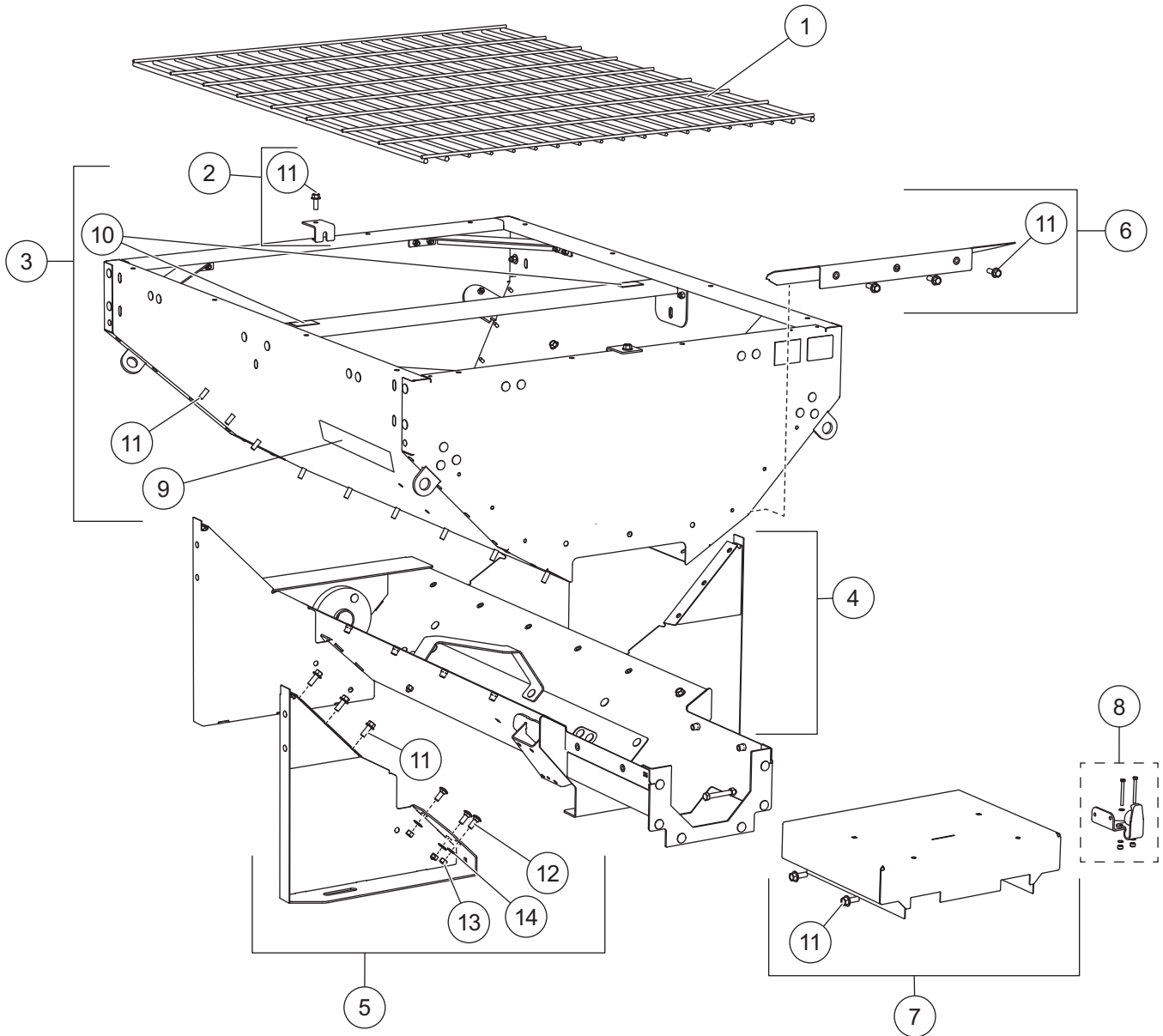
Parts List



This Parts List is for HELIXX stainless steel hopper spreaders
with serial numbers beginning with 200706 and higher.

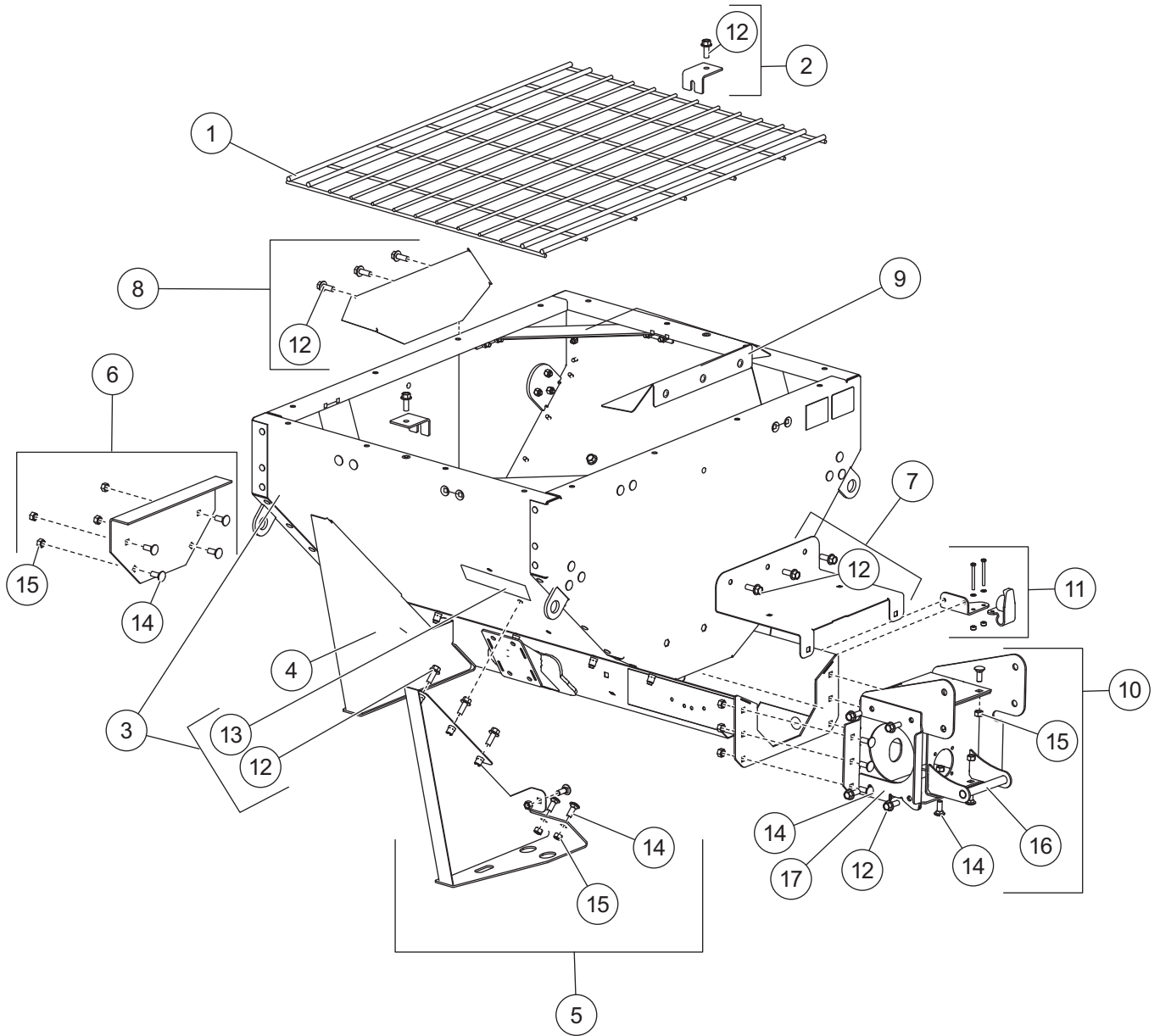
HELIXX™ STAINLESS STEEL HOPPER SPREADERS

HOPPER COMPONENTS – 0.7 yd³



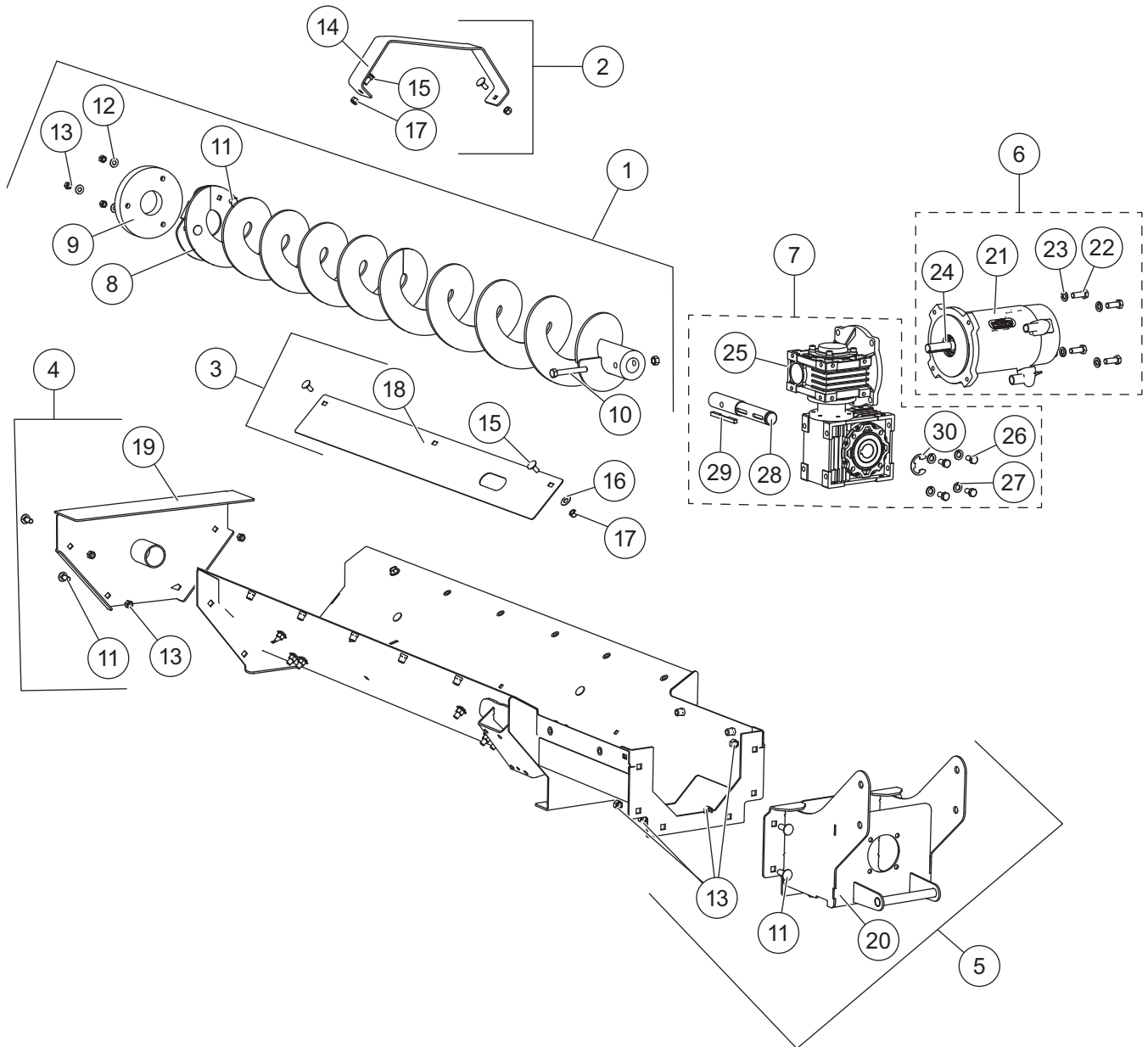
HELIXX™ STAINLESS STEEL HOPPER SPREADERS

HOPPER COMPONENTS – 0.35 yd³



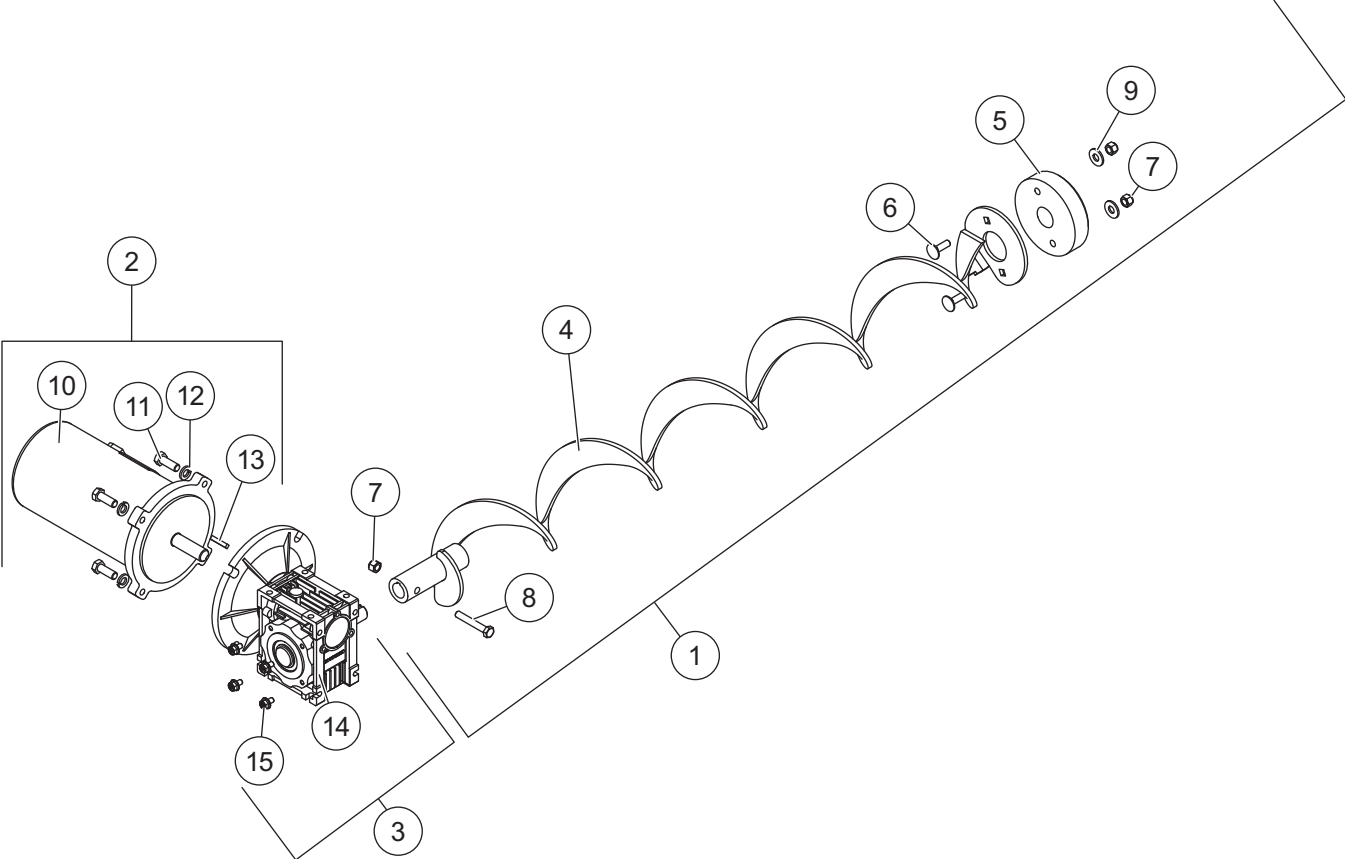
HELIXX™ STAINLESS STEEL HOPPER SPREADERS

DRIVETRAIN COMPONENTS – 0.7 yd³



HELIXX™ STAINLESS STEEL HOPPER SPREADERS

DRIVETRAIN COMPONENTS – 0.35 yd³

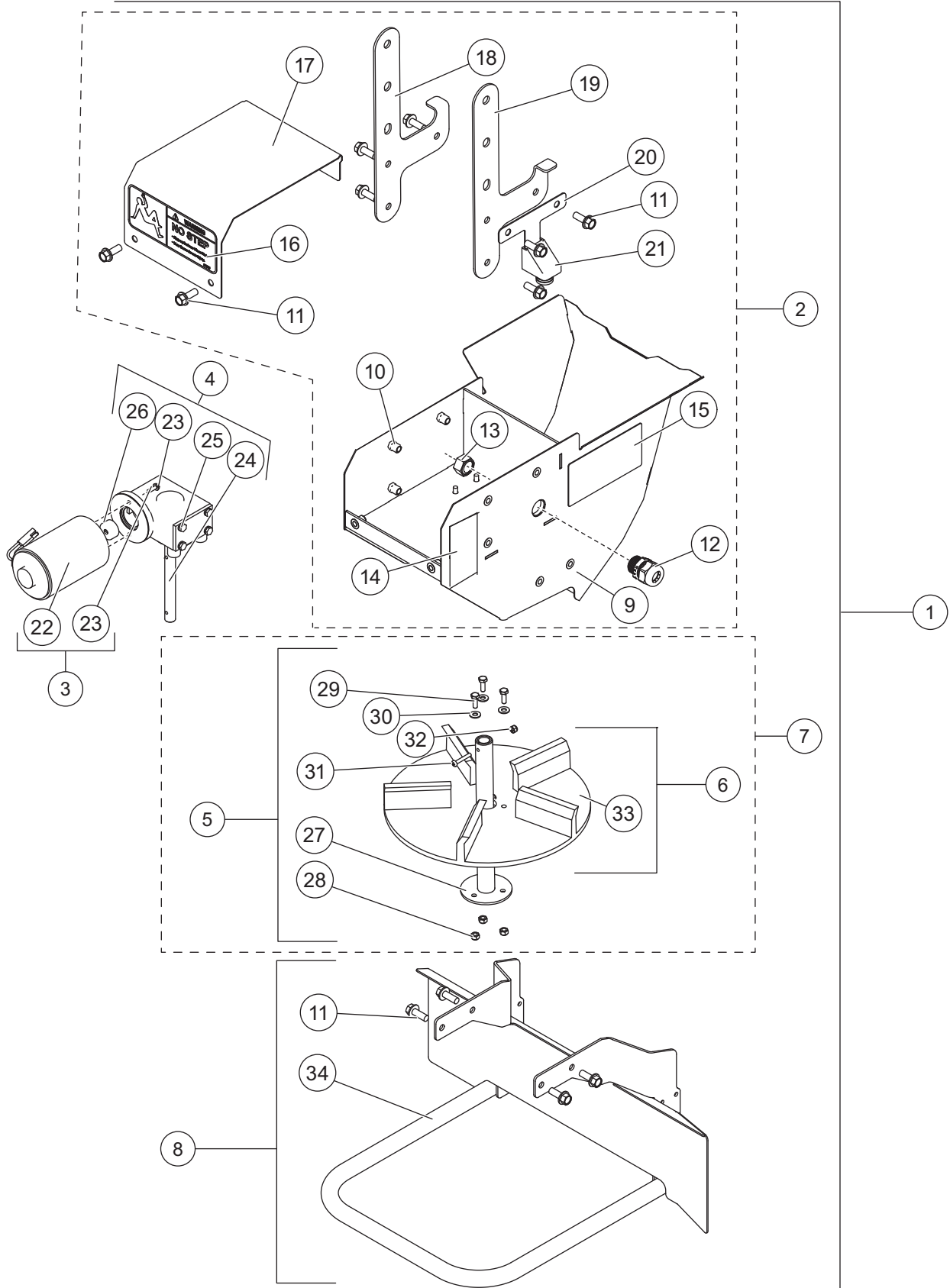


HELIXX™ STAINLESS STEEL HOPPER SPREADERS

Drivetrain Components – 0.35 yd ³							
Item	Part	Qty	Description	Item	Part	Qty	Description
1	83290	1	Auger Kit – 0.35 yd ³	3	83270	1	Transmission Kit, 80:1
2	85479	1	Motor Kit, 1/2 hp				
Item 1				83290 Auger – 0.35 yd³			
4	74674	1	Auger, 38 x 4 OD	7		3	5/16-18 Hex Locknut GB SS
5	74651	1	Front Auger Bearing, 4 OD	8		1	5/16-18 x 2 Hex Cap Screw SS
6		2	5/16-18 x 1 Carriage Bolt	9		2	5/16-18 Flat Washer SS
Item 2				85479 Motor Kit, 1/2 hp			
10	D6825-1	1	Motor, 1/2 hp, 1750 rpm	12		4	3/8 Spring Lock Washer SS
11		4	3/8-16 x 1 Hex Cap Screw SS	13		1	Machine Key, 3/16 x 1
Item 3				83270 Transmission Kit, 80:1			
14	10923	1	Transmission, 80:1	15		4	M6-1 x 10 Flanged Hex Cap Screw
			G = Grade				SS = Stainless Steel
							M = Metric

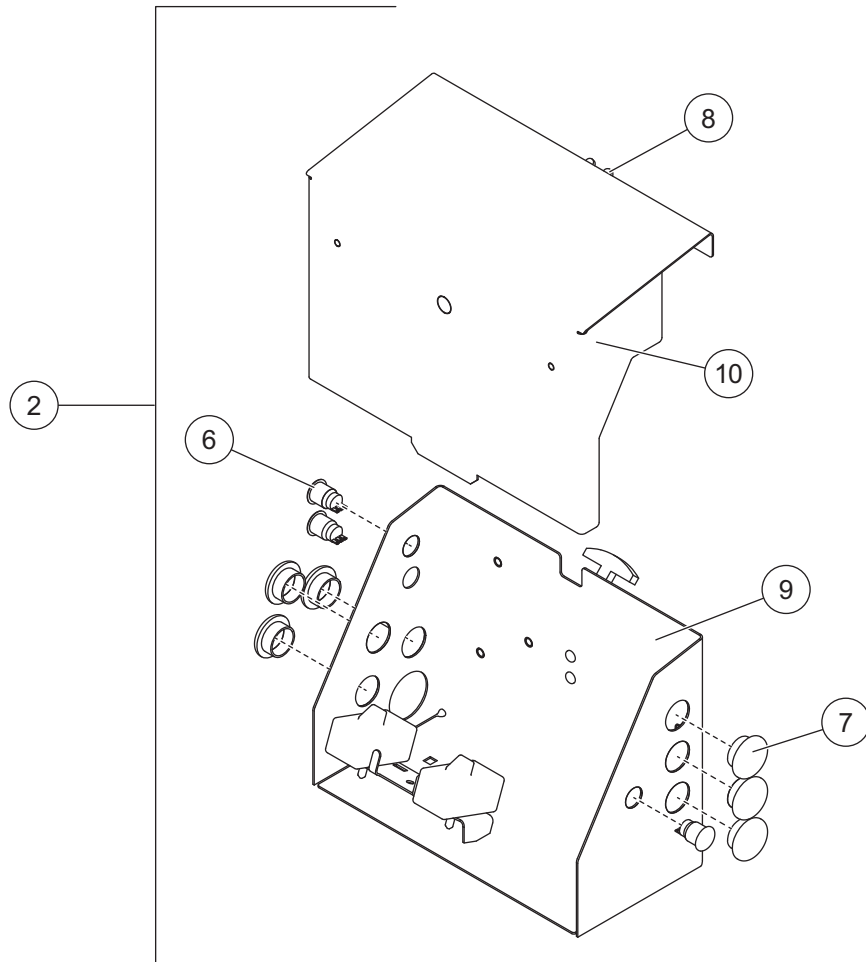
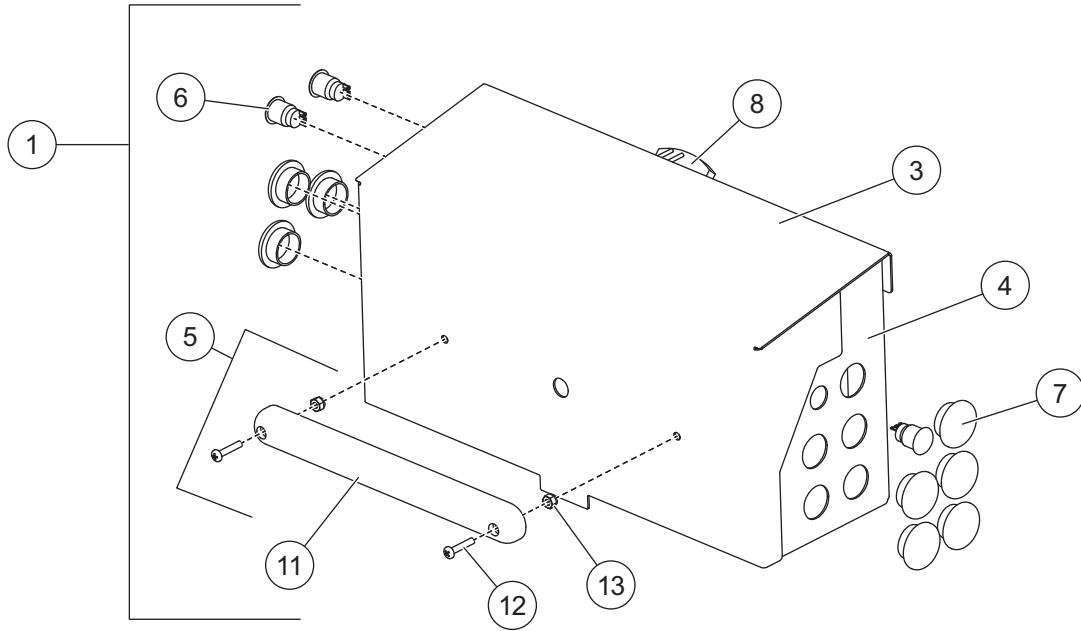
HELIXX™ STAINLESS STEEL HOPPER SPREADERS

SPINNER DRIVE COMPONENTS – 0.7 yd³ & 0.35 yd³



HELIXX™ STAINLESS STEEL HOPPER SPREADERS

ELECTRICAL ENCLOSURE COMPONENTS – 0.7 yd³ & 0.35 yd³

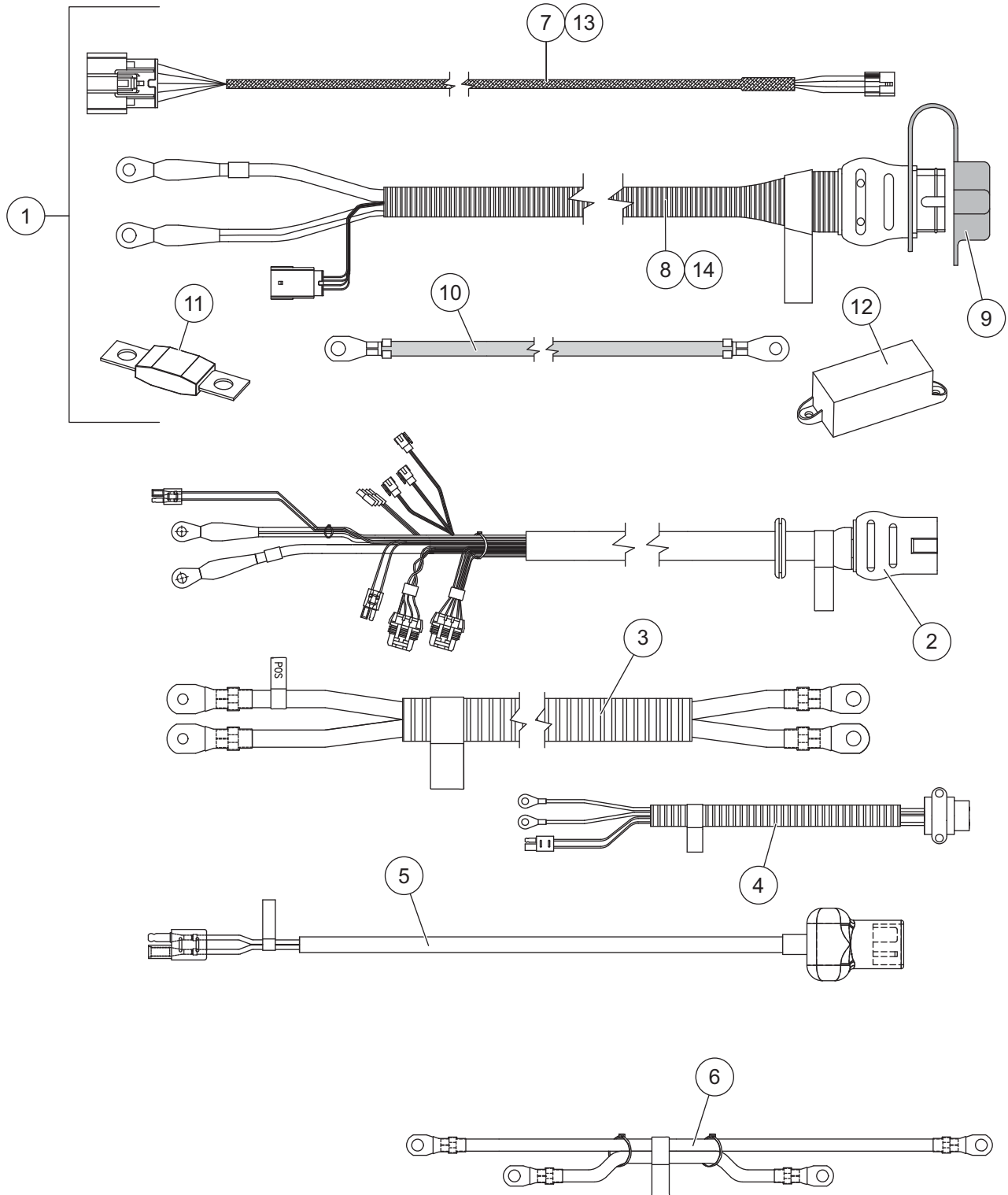


HELIXX™ STAINLESS STEEL HOPPER SPREADERS

Electrical Enclosure Components							
Item	Part	Qty	Description	Item	Part	Qty	Description
1	83299	1	Electrical Box Assembly – 0.7 yd ³	2	83292	1	Electrical Box Assembly – 0.35 yd ³
Item 1				83299 Electrical Box Assembly – 0.7 yd³			
3		1	Mailbox Cover – 0.7 yd ³	8		1	Keeper
4		1	Electrical Enclosure – 0.7 yd ³	ns		1	Rubber Latch Assembly
5	99080	1	CHMSL Kit	ns		4	3/16 Pop Rivet
6	99254	3	Switch, Push Button MO	ns	87480	1	Label – Information, Feed/Work Light
7	99195	8	Break-Thru Plug	ns	85481	1	Label – Information, Feed Light
Item 2				83292 Electrical Box Assembly – 0.35 yd³			
6	99254	3	Switch, Push Button MO	ns		1	Rubber Latch Assembly
7	99195	6	Break-Thru Plug	ns		4	3/16 Pop Rivet
8		1	Keeper	ns	87480	1	Label – Information, Feed/Work Light
9		1	Electrical Enclosure – 0.35 yd ³	ns	85481	1	Label – Information, Feed Light
10		1	Mailbox Cover – 0.35 yd ³				
Item 5				99080 CHMSL Kit			
11		1	CHMSL w/8" Lead	13		2	#10-32 Hex Locknut GB SS
12		2	#10-32 x 1 Machine Screw				
		G = Grade				SS = Stainless Steel	
						ns = not shown	

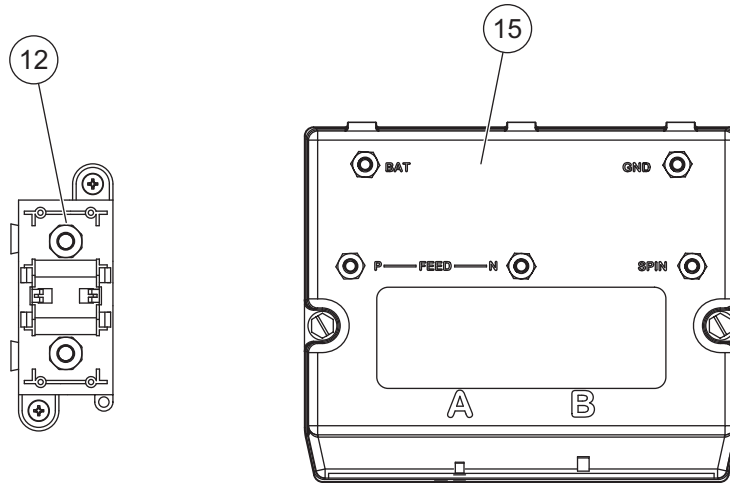
HELIXX™ STAINLESS STEEL HOPPER SPREADERS

ELECTRICAL COMPONENTS – 0.7 yd³ & 0.35 yd³



Not drawn to scale.

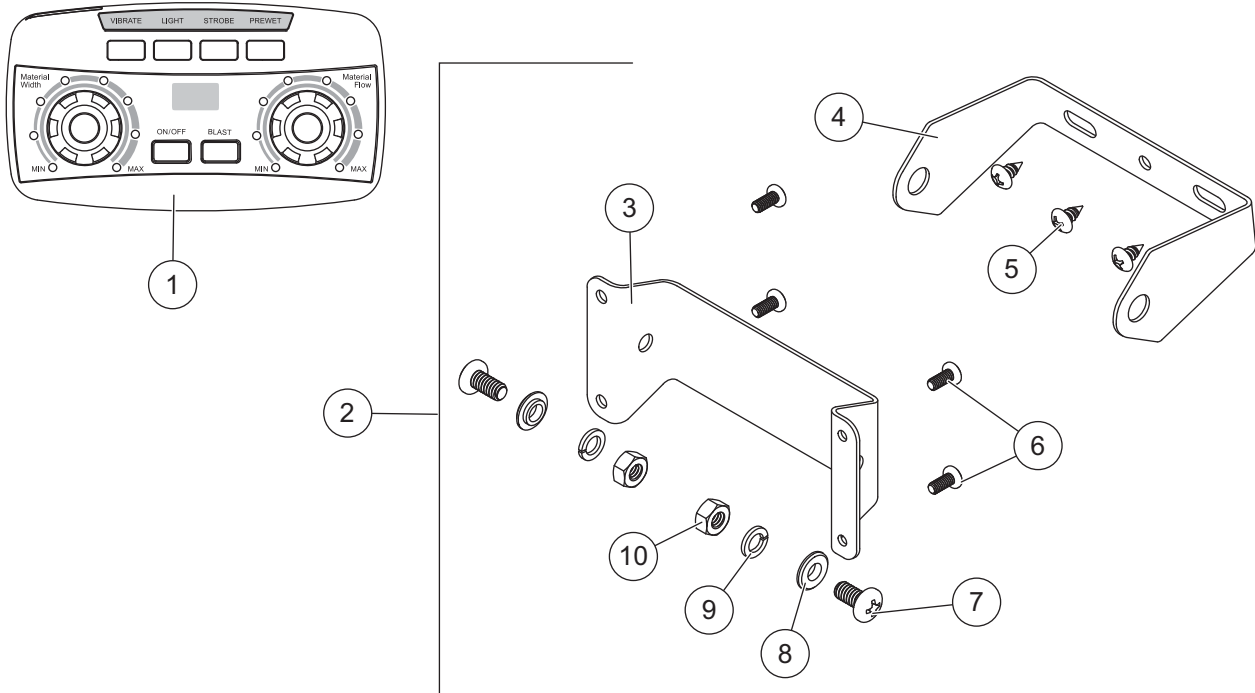
HELIXX™ STAINLESS STEEL HOPPER SPREADERS



Cables & Harnessing, Electrical Components							
Item	Part	Qty	Description	Item	Part	Qty	Description
1	78402	1	Vehicle-Side Harness Kit, 300"	5	78883	1	Spinner Motor Cable Assembly
	85692	1	Vehicle-Side Harness Kit, 140"	6	78385	1	Module to Isolated Stud Cable Assy
2	83688	1	Hopper Cable Assembly	ns	69916	1	8-Pin Cable Boot
3	78987	1	Module to Auger Motor Cable Assy	ns	61592	1	Butt Splice
4	85448	1	Spinner Module Cable Assembly				
Item 1	78402 Vehicle-Side Harness Kit, 300"						
7	69902	1	Vehicle Control Harness	11	95836	1	Fuse, 100A
8	83690	1	Vehicle Harness Assy (incl. item 10)	12	95837	2	Fuse Holder/Isolated Stud Block
9	99759	1	Plug Cover	ns		6	Cable Tie, HD
10	22511	1	22" Battery Cable – Red	ns		10	Cable Tie, 15.35"
Item 1	85692 Vehicle-Side Harness Kit, 140"						
10	22511	1	22" Battery Cable – Red	ns		2	1/4-20 x 3/4 Hex Cap Screw SS
11	95836	1	Fuse, 100A	ns		2	1/4-20 Hex Locknut GB
12	95837	2	Fuse Holder/Isolated Stud Block	ns		2	1/4 Flat Washer Type A Narrow
13	69901	1	Vehicle Control Harness	ns		6	Cable Tie, HD
14	78904	1	Vehicle Harness Assy (incl. item 10)	ns		10	Cable Tie, 15.35"
Electrical Box Components							
12	95837	1	Fuse Holder/Isolated Stud Block	15	52375	1	Spreader Module, 5-Post
ns = not shown		G = Grade		SS = Stainless Steel			

HELIXX™ STAINLESS STEEL HOPPER SPREADERS

CAB CONTROL



52430 Cab Control Kit						
Item	Part	Qty	Description	Item	Part	Qty Description
1	52432	1	Cab Control 2-Knob	2	52345	1 Cab Control Bracket Kit
Item 2						
52345 Cab Control Bracket Kit						
3		1	Bracket, Control Inner	7		2 1/4-20 x 1/2 Pan Head Machine Screw SS – Black
4		1	Bracket, Control Outer	8		2 1/4 Shoulder Washer SS – Black
5		3	#10 x 3/8 Pan Head Tapping Screw SS	9		2 1/4 Spring Lock Washer SS
6		4	#8 x 3/8 Pan Head Machine Screw	10		2 1/4-20 Hex Nut G5 – Black
			SS = Stainless Steel			
				G = Grade		

HELIXX™ STAINLESS STEEL HOPPER SPREADERS

ACCESSORIES

Part	Description	Part	Description
85456	Primary Work Light Kit	85698	Side Extensions – 0.35 yd ³
85457	Auxiliary Work Light Kit	85699	Side Extensions – 0.7 yd ³
85458	Strobe Light Kit	85693	Truck Conversion Kit – 0.35 yd ³
85694	License Plate Kit	85706	Inverted V Kit – 0.35 yd ³
85459	Vibrator Kit	85707	Inverted V Kit – 0.7 yd ³
68790	Ratchet Strap Kit (pkg of 4)	85689	Pre-Wet Kit, 50 gal
99080	CHMSL Kit	78402	Vehicle Side Harness Kit – 0.7 yd ³
83270	Shutter Deflector Accessory Kit	30064	Tarp Kit – 0.35 yd ³
85692	Vehicle Side Harness Kit – 0.35 yd ³	30066	Tarp Kit – 0.7 yd ³
85696	Spill Guards – 0.35 yd ³	30055	Bungee Kit, 9" – 0.35 yd ³
85697	Spill Guards – 0.7 yd ³	30056	Bungee Kit, 15" – 0.7 yd ³



TrynEx International, LLC
531 Ajax Drive
Madison Heights, MI 48071-2429
www.snowexproducts.com

 A DIVISION OF DOUGLAS DYNAMICS, LLC

Copyright © 2021 Douglas Dynamics, LLC. All rights reserved. This material may not be reproduced or copied, in whole or in part, in any printed, mechanical, electronic, film, or other distribution and storage media, without the written consent of TrynEx International, LLC. Authorization to photocopy items for internal or personal use by TrynEx International outlets or spreader owner is granted.

TrynEx International reserves the right under its product improvement policy to change construction or design details and furnish equipment when so altered without reference to illustrations or specifications used. TrynEx International or the vehicle manufacturer may require or recommend optional equipment for spreaders. Do not exceed vehicle ratings with a spreader. TrynEx International offers a limited warranty for all spreaders and accessories. See separately printed page for this important information. The following are registered (®) or unregistered (™) trademarks of Douglas Dynamics, LLC: HELIXX™, SnowEx®.

Printed in U.S.A.