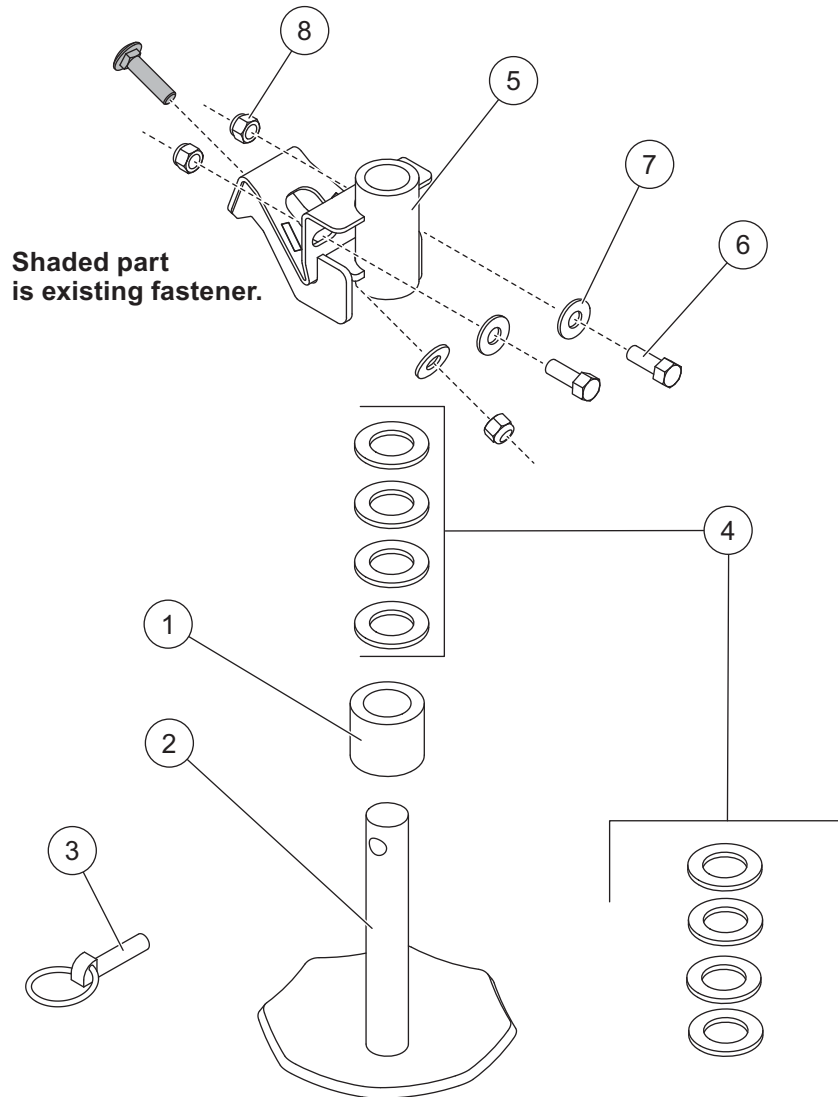


Shoe Kit

Medium Duty UTV Straight Blade Snowplows

PARTS LIST



74239 Medium Duty UTV Straight Blade Shoe Kit							
Item	Part	Qty	Description	Item	Part	Qty	Description
1	60045	2	Spacer	4	91192	16	1-3/4 Flat Washer Special
2	61171	2	Disc Shoe	5	74272	2	Shoe Bracket
3	93010	2	7/16 x 1-3/4 Linchpin	ns	74273	1	Bolt Bag
74273 Bolt Bag							
6		4	3/8-16 x 1 Hex Cap Screw G5	8		6	3/8-16 Hex Locknut GB
7		6	3/8 Flat Washer Type A Wide				
G = Grade				ns = not shown			

INSTALLATION INSTRUCTIONS

⚠ WARNING

Do not exceed GVWR or GAWR, including blade and ballast.

⚠ WARNING

Blade can drop unexpectedly. Place blade on jack stands. Failure to do so could result in serious personal injury.

⚠ WARNING

The driver shall keep bystanders clear of the blade when it is being raised, lowered, or angled. Do not stand between the vehicle and the blade or within 8 feet of a moving blade. A moving or falling blade could cause personal injury.

⚠ CAUTION

Read this document before installing the shoe kit.

⚠ CAUTION

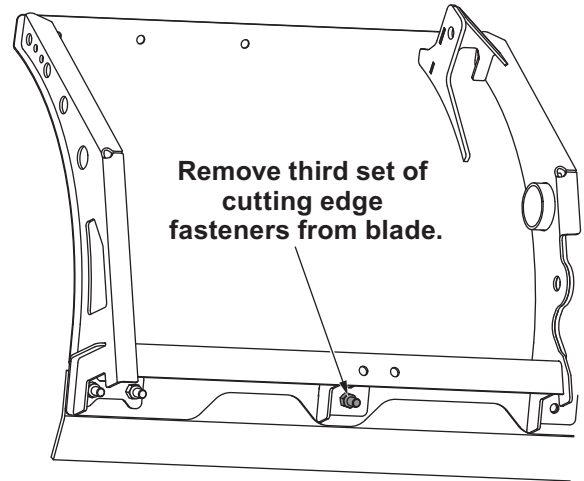
Use standard methods and practices when attaching snowplow and installing accessories, including proper personal protective safety equipment.

⚠ CAUTION

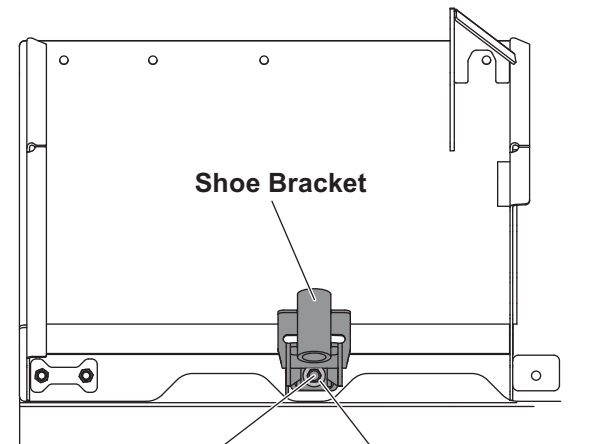
See your sales outlet/website for specific vehicle application recommendations before installation. The online selection system has specific vehicle and snowplow requirements.

1. Park the vehicle on a smooth, level, hard surface, such as concrete. Raise the blade, then turn the control OFF. From the side of the blade assembly, place jack stands under the blade.
2. Turn the control ON and lower the blade so it rests securely on the jack stands. Turn the control OFF. Turn the vehicle ignition to the "OFF" position and remove the key.

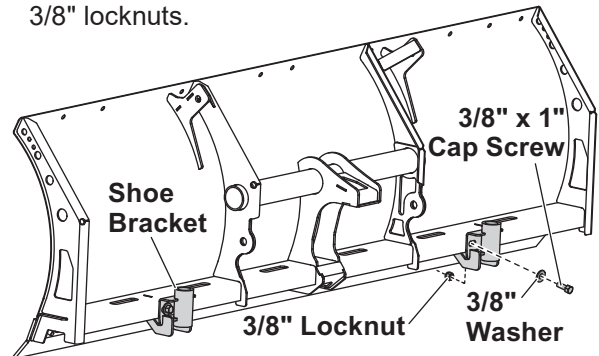
3. Remove the third set of fasteners from the cutting edge on the driver's side of the blade.



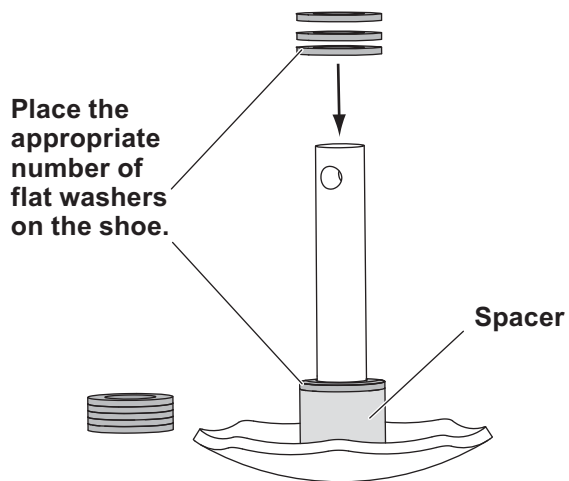
4. Insert the 3/8" carriage bolt removed in Step 3 through the cutting edge and shoe bracket as shown. Place a 3/8" flat washer from the bolt bag over the bolt. Fasten with a 3/8" locknut from the bolt bag.



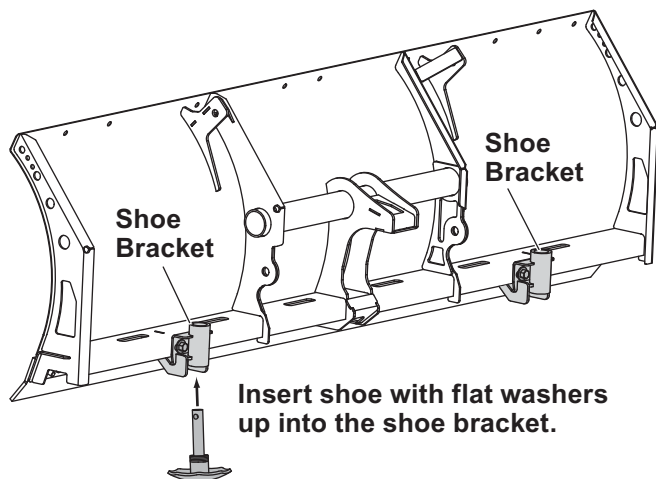
5. Insert a 3/8" x 1" cap screw with 3/8" washer through each slot on the shoe bracket. Fasten with 3/8" locknuts.



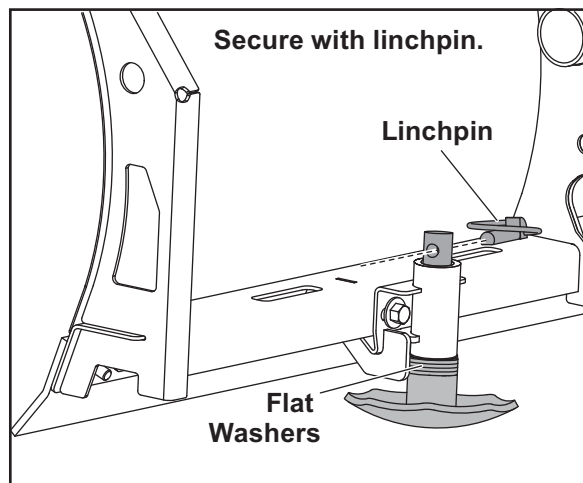
6. Repeat Steps 3–5 for the opposite side.
7. Determine the desired height of the cutting edge from the ground. Install the spacer on the shoe. Place the appropriate number of flat washers on the shoe and insert it up through the center hole in the shoe bracket.



Adjust shoe height by choosing number of flat washers to use.



8. Secure the shoe with a linchpin.



9. Repeat Steps 7–8 for the opposite side.
10. Turn the vehicle ignition and snowplow control ON. Raise the blade slightly. Turn the control OFF and remove the jack stands.
11. Stand 8 feet clear of the blade, and lower the blade to the ground.

Copyright © 2020 Douglas Dynamics, LLC. All rights reserved. This material may not be reproduced or copied, in whole or in part, in any printed, mechanical, electronic, film, or other distribution and storage media, without the written consent of the company. Authorization to photocopy items for internal or personal use by the company's outlets or snowplow owner is granted.

The company reserves the right under its product improvement policy to change construction or design details and furnish equipment when so altered without reference to illustrations or specifications used. This equipment manufacturer or the vehicle manufacturer may require or recommend optional equipment for snow removal. Do not exceed vehicle ratings with a snowplow. The company offers a limited warranty for all snowplows and accessories. See separately printed page for this important information.

Printed in U.S.A.
