



## 7'6" RDV™ Snowplow

Mild Steel Blade 77790

Stainless Steel Blade 77795

Big Box Assembly 77890-3

Parts List





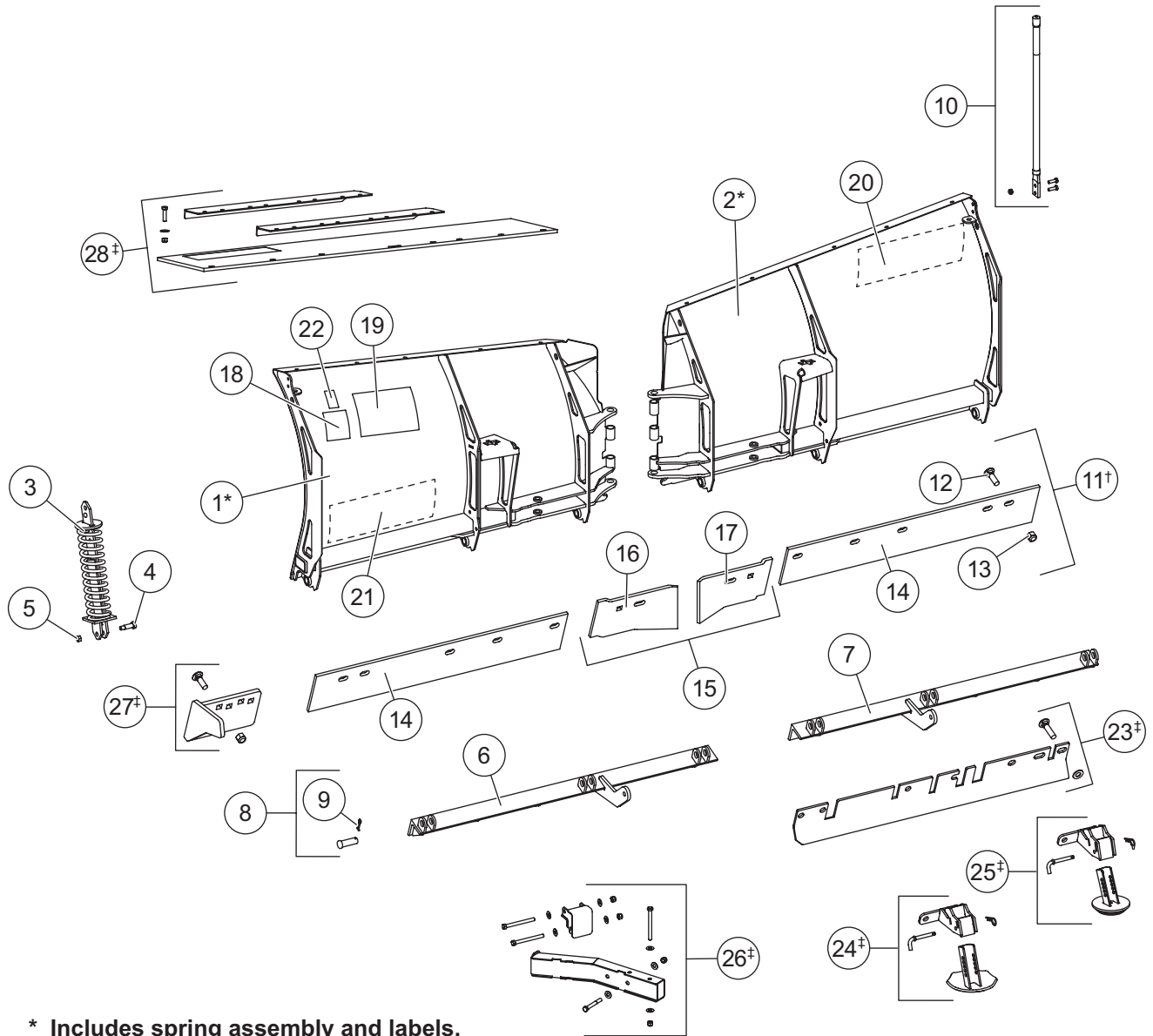
# TABLE OF CONTENTS

---

<b>RDV™ BLADE COMPONENTS</b> .....	4
77790 Mild Steel Blade.....	4
77795 Stainless Steel Blade.....	6
<b>RDV T-FRAME AND HEADGEAR</b> .....	8
T-Frame Assembly.....	8
Headgear Assembly .....	10
<b>RDV HYDRAULIC AND ELECTRICAL COMPONENTS</b> .....	12
Hydraulic Unit.....	12
Lift and Angle Rams, Hoses, Fittings .....	14
Electrical Components.....	15
Vehicle-Side Wiring Diagram – 3-Port, 2-Plug System.....	16
<b>HEADLAMP KITS</b> .....	17
Halogen.....	17
LED .....	18

# RDV™ BLADE – MILD STEEL 77790

## Blade Components – Mild Steel



\* Includes spring assembly and labels.

† Includes center cutting edges.

‡ Available as an accessory only.

## RDV™ BLADE – MILD STEEL 77790

<b>77790 RDV Blade Components</b>							
Item	Part	Qty	Description	Item	Part	Qty	Description
1	79726	1	Wing Assembly – DS*	ns	79960‡	1	1/2 Cutting Edge Kit†
2	79727	1	Wing Assembly – PS*	ns	85127‡	2	1/2 Cutting Edge – One Side
3	21452	2	Removable Spring Assembly	ns	44894-1‡	1	1/2 Center Cutting Edge Kit
4		2	7/16-14 x 1/2 x 1-5/8 Shoulder Bolt	ns	79370‡	1	1/2 Center Cutting Edge – DS
5		2	7/16-14 Hex Locknut GB	ns	79371‡	1	1/2 Center Cutting Edge – PS
6	79731	1	Base Angle – DS	ns	44763	2	Bolt Bag – 3/8 & 1/2 Cutting Edges (1 side, 5 sets of fasteners)
7	79732	1	Base Angle – PS				
8	85082	6	1 x 2-3/4 Clevis Pin w/Cotter	ns	86867‡	1	5/8 Poly Cutting Edge Kit
9		6	1/4 x 1-1/2 Cotter Pin	ns	90413‡	1	Cutting Edge, Poly – DS
10	84525	1	Poly Blade Guide Kit, 24" (set of 2)	ns	90438‡	1	Cutting Edge, Poly – PS
11	79959	1	3/8 Cutting Edge Kit – Complete†	18	59900	1	Label – Warning/Caution, Snowplows
12		14	5/8-11 x 2 Carriage Bolt G5	19	52203	1	Label – Attach/Detach, Automatix®
13		14	5/8-11 Hex Locknut GB	20	85113	1	Label – Logo, SnowEx® MS
14	85126	2	3/8 Cutting Edge – One Side	21	72956	1	Label – Logo, RDV MS
15	79977	1	3/8 Center Cutting Edge Kit	22	29256	1	Label – Warning, Foot Crush Hazard
16	79972	1	3/8 Center Cutting Edge – DS	ns	78751	1	Blade Label Kit, Complete – MS
17	79973	1	3/8 Center Cutting Edge – PS				
<b>RDV Blade Accessories</b>							
23‡	44281-4	1	Back Drag Edge Kit	27‡	43885	1	Curb Guard Kit – DS & PS
24‡	74519	1	Shoe Kit (set of 2)	28‡	79993	1	Rubber Deflector Kit (universal) 10"
25‡	83852	1	Extreme Wear Shoe Kit (set of 2)	ns	84477‡	1	Poly Blade Guide Kit, 36" (set of 2)
26‡	74528	1	Blade Stop Kit (set of 2)				
ns = not shown		MS = Mild Steel			G = Grade		

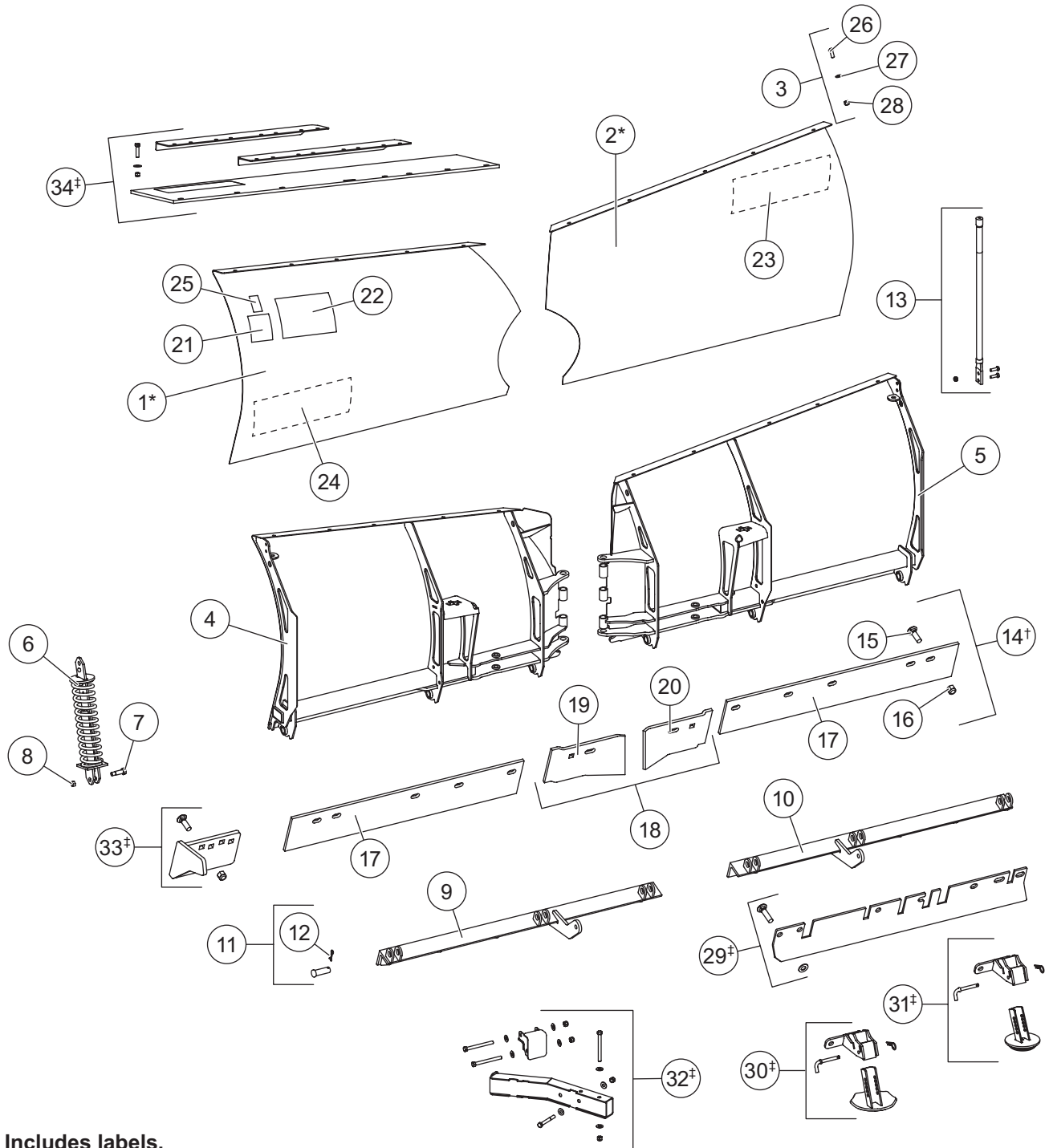
\* Includes spring assembly and labels.

† Includes center cutting edges.

‡ Available as an accessory only.

# RDV™ BLADE – STAINLESS STEEL 77795

## Blade Components – Stainless Steel



\* Includes labels.

† Includes center cutting edges.

‡ Available as an accessory only.

## RDV™ BLADE – STAINLESS STEEL 77795

<b>77795 RDV Blade Components</b>							
Item	Part	Qty	Description	Item	Part	Qty	Description
1	79718	1	Moldboard Kit w/Fasteners DS*	19	79972	1	3/8 Center Cutting Edge – DS
2	79719	1	Moldboard Kit w/Fasteners PS*	20	79973	1	3/8 Center Cutting Edge – PS
3	43289	1	Moldboard Fasteners Kit	ns	79960*	1	1/2 Cutting Edge Kit†
4	79726	1	Frame, Base Angle, Spring Assy – DS	ns	85127*	2	1/2 Cutting Edge – One Side
5	79727	1	Frame, Base Angle, Spring Assy – PS	ns	44894-1*	1	1/2 Center Cutting Edge Kit
6	21452	2	Removable Spring Assembly	ns	79370*	1	1/2 Center Cutting Edge – DS
7		2	7/16-14 x 1/2 x 1-5/8 Shoulder Bolt	ns	79371*	1	1/2 Center Cutting Edge – PS
8		2	7/16-14 Hex Locknut GB	ns	44763	2	Bolt Bag – 3/8 & 1/2 Cutting Edges (1 side, 5 sets of fasteners)
9	79731	1	Base Angle – DS	ns	86867*	1	5/8 Poly Cutting Edge Kit
10	79732	1	Base Angle – PS	ns	90413*	1	Cutting Edge, Poly – DS
11		6	1 x 2-3/4 Clevis Pin w/Cotter	ns	90438*	1	Cutting Edge, Poly – PS
12		6	1/4 x 1-1/2 Cotter Pin	21	59900	1	Label – Warning/Caution, Snowplows
13	84525	1	Poly Blade Guide Kit, 24" (set of 2)	22	52203	1	Label – Attach/Detach, Automatix®
14	84850	1	3/8 Cutting Edge Kit – Complete†	23	85115	1	Label – Logo, SnowEx® SS
15		14	5/8-11 x 2 Carriage Bolt G5	24	72959	1	Label – Logo, RDV SS
16		14	5/8-11 Hex Locknut GB	25	29256	1	Label – Warning, Foot Crush Hazard
17	85126	2	3/8 Cutting Edge – One Side	ns	78752	1	Blade Label Kit, Complete – SS
18	79977	1	3/8 Center Cutting Edge Kit				
<b>Item 3 43289 Moldboard Fasteners Kit</b>							
26		10	3/8-16 x 1 Button Cap Screw SS	28		10	3/8-16 Hex Locknut Brass
27	29233	10	3/8 Hardened Washer				
<b>RDV Blade Accessories</b>							
29*	44281-4	1	Back Drag Edge Kit	33*	43885	1	Curb Guard Kit – DS & PS
30*	74519	1	Shoe Kit (set of 2)	34*	79993	1	Rubber Deflector Kit (universal) 10"
31*	83852	1	Extreme Wear Shoe Kit (set of 2)	ns	84477*	1	Poly Blade Guide Kit, 36" (set of 2)
32*	74528	1	Blade Stop Kit (set of 2)				
ns = not shown				SS = Stainless Steel		G = Grade	

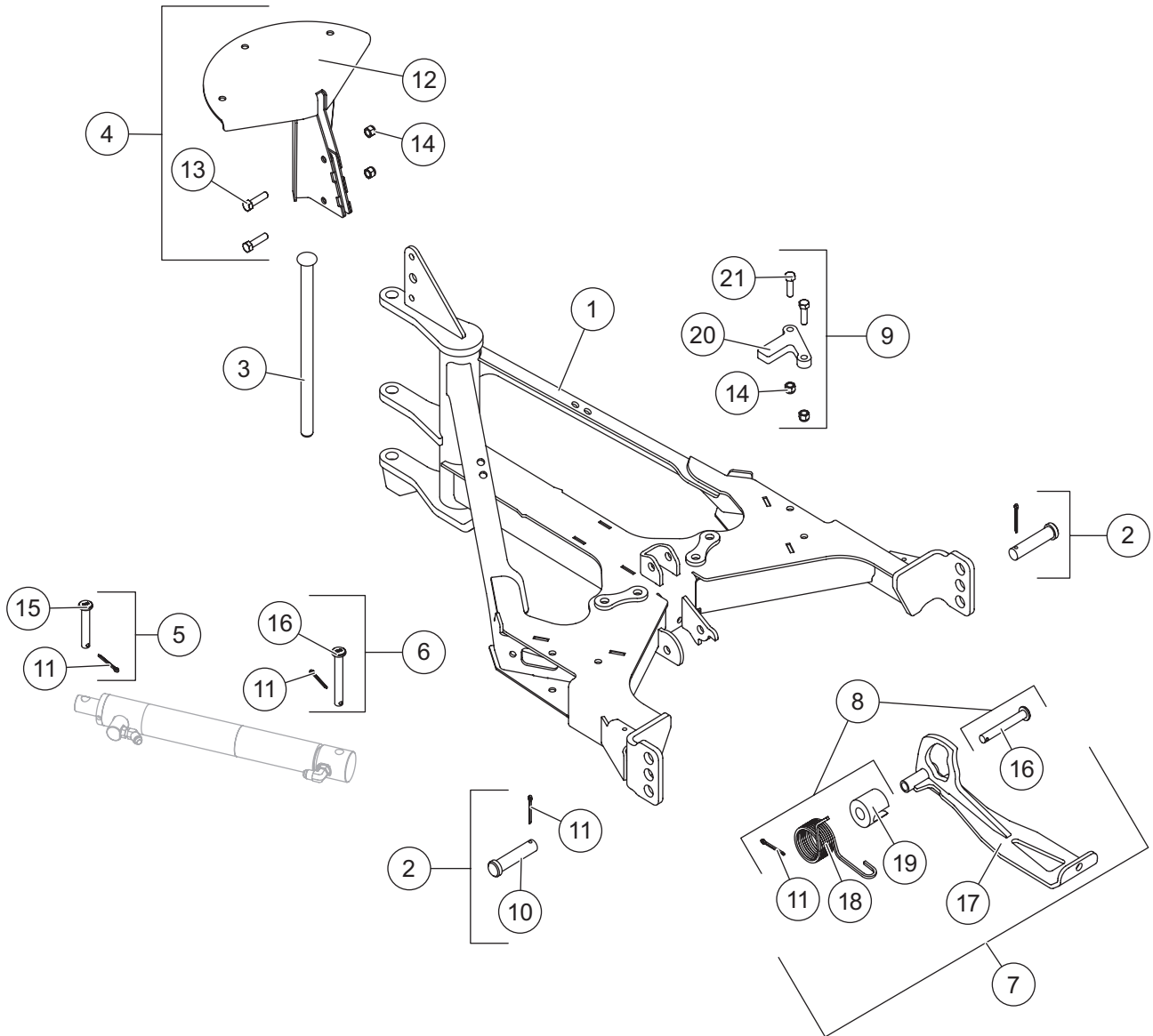
\* Includes labels.

† Includes center cutting edges.

\* Available as an accessory only.

# RDV™ T-FRAME ASSEMBLY

## T-Frame, Snow Control, Stand, and Pins



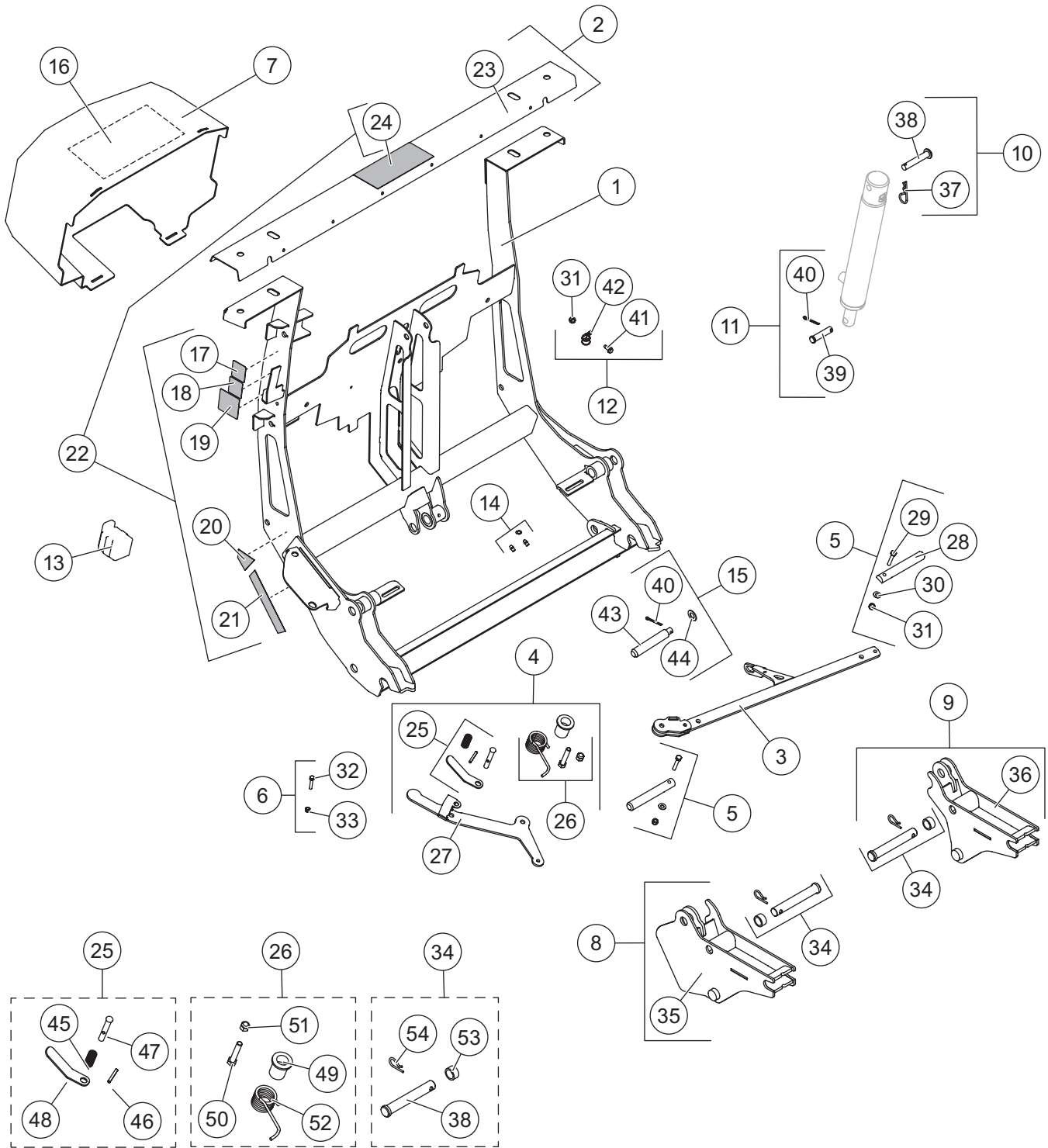


# RDV™ T-FRAME ASSEMBLY

T-Frame Components							
Item	Part	Qty	Description	Item	Part	Qty	Description
1	79743	1	T-Frame, RDV	6	83629	2	1/2 x 3-11/16 Clevis Pin Kit
2	84618	2	3/4 x 3-1/4 Clevis Pin Kit	7	79750	1	Stand Kit
3	51702	1	Main Pivot Pin	8	84615	1	Stand Hardware Kit
4	79733	1	Snow Control Kit	9	79758	2	Stacking Stop Kit
5	85198	2	1/2 x 2-7/8 Clevis Pin Kit				
<b>Item 2</b>				<b>84618 3/4 x 3-1/4 Clevis Pin Kit</b>			
10		1	3/4 x 3-1/4 Clevis Pin	11		1	5/32 x 1-1/2 Cotter Pin
<b>Item 4</b>				<b>79733 Snow Control Kit</b>			
12		1	Snow Control	14		2	3/8-16 Hex Locknut GB
13		2	3/8-16 x 2 Hex Cap Screw G5				
<b>Item 5</b>				<b>85198 1/2 x 2-7/8 Clevis Pin Kit</b>			
11		1	5/32 x 1-1/2 Cotter Pin	15		1	1/2 x 2-7/8 Clevis Pin
<b>Item 6</b>				<b>83629 1/2 x 3-11/16 Clevis Pin Kit</b>			
11		1	5/32 x 1-1/2 Cotter Pin	16		1	1/2 x 3-11/16 Clevis Pin
<b>Item 7</b>				<b>79750 Stand Kit</b>			
8		1	Stand Hardware Kit	17		1	Stand
<b>Item 8</b>				<b>84615 Stand Hardware Kit</b>			
11		1	5/32 x 1-1/2 Cotter Pin	18		1	Stand Torsion Spring
16		1	1/2 x 3-11/16 Clevis Pin	19		1	Stand Spring Spacer
<b>Item 9</b>				<b>79758 Stacking Stop Kit</b>			
14		2	3/8-16 Hex Locknut GB	21		2	3/8-16 x 1-1/4 Hex Cap Screw G5
20	79757	1	Stacking Stop RDV				
G = Grade							

# RDV™ HEADGEAR ASSEMBLY

## Headgear and Receiver Components

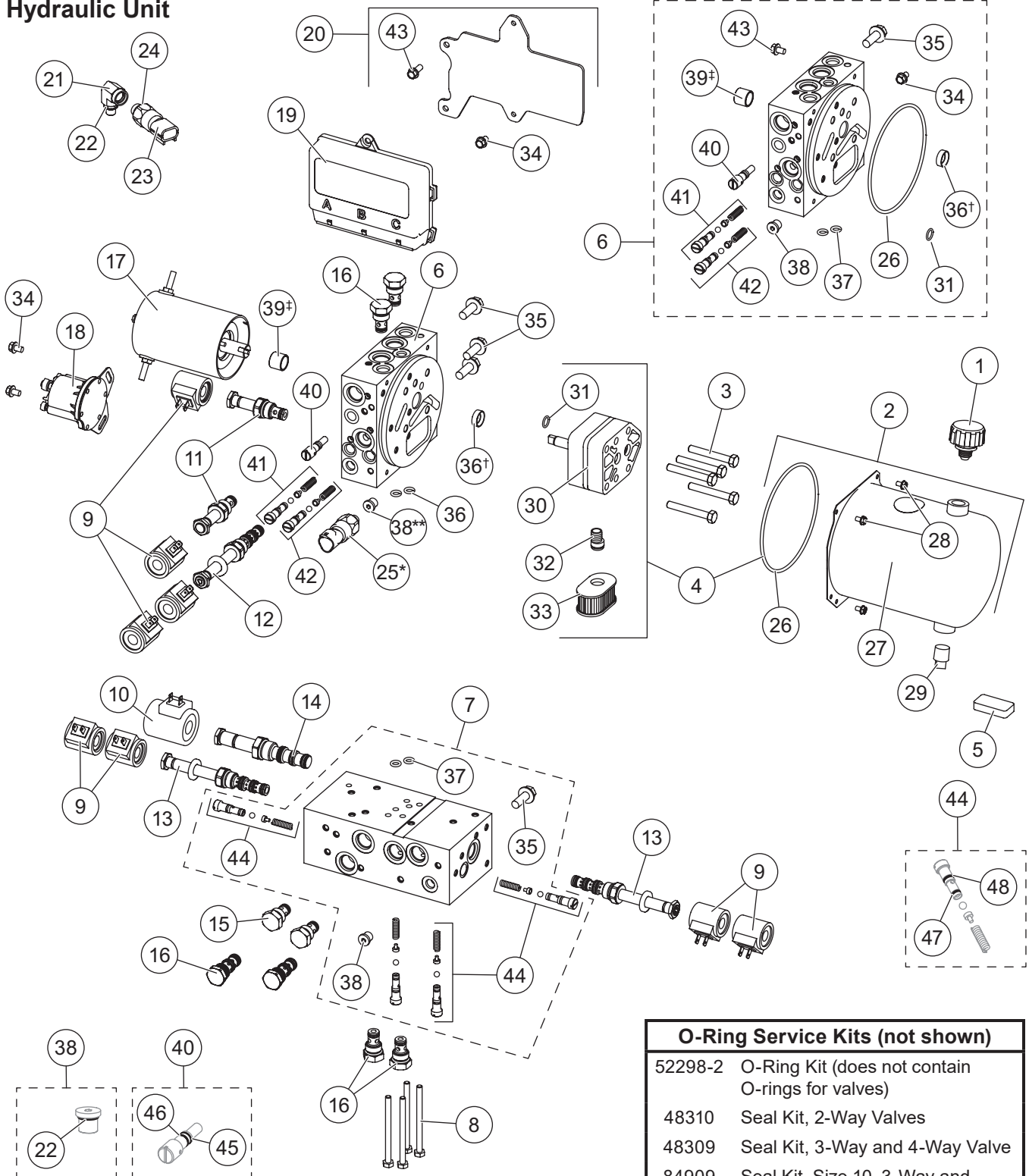


# RDV™ HEADGEAR ASSEMBLY

Headgear Components							
Item	Part	Qty	Description	Item	Part	Qty	Description
1	79736	1	Headgear (incl. items 14, 17–21)	12	84778	1	Power Cable Clamp Loop Kit
2	85009	1	Light Bar Channel	13	61246	1	Cable Boot
3	79753	1	Link Arm – RDV	14	84616	1	Grease Zerk (pkg of 3)
4	79752	1	Attach Handle Kit	15	84601	1	Link Arm/Jack Stand Pin Kit
5	84603	2	Attach Pin Kit	16	74082	1	Label – Hydraulic Information, RDV
6	84635	1	Link Arm/Attach Handle Fastener Kit	17	52206	1	Label – Power Switch, Automatixx®
7	79759	1	Hydraulic Cover (incl. item 16)	18	52207	1	Label – Operation Switch, Automatixx
8	84606	1	Receiver Kit – DS	19	69689	1	Label – Logo, SECURITY GUARD™
9	84607	1	Receiver Kit – PS	20	77717	1	Label – Upper, Automatixx
10	85123	1	3/4 x 5 Clevis Pin Kit	21	77719	1	Label – Lower, Automatixx
11	85198	1	1/2 x 2-7/8 Clevis Pin Kit	22	84647	1	Headgear Label Kit (items 17–21, 24)
<b>Item 2</b>				<b>85009 Light Bar Channel</b>			
23		1	Light Bar	24	84553	1	Label – Logo, SnowEx® Light Bar
<b>Item 4</b>				<b>79752 Attach Handle Kit</b>			
25	83633	1	Attach Handle Release Cam Kit	27	79754	1	Handle
26	83636	1	Torsion Spring/Spacer Kit				
<b>Item 5</b>				<b>84603 Attach Pin Kit</b>			
28		1	Hitch Pin	30		1	1/4 Flat Washer
29		1	1/4-20 x 1-1/2 Hex Cap Screw SS	31		1	1/4-20 Hex Locknut GB
<b>Item 6</b>				<b>84635 Link Arm/Attach Handle Fastener Kit</b>			
32		1	5/16-18 x 1-1/4 Hex Cap Screw G5	33		1	5/16-18 Hex Locknut GB
<b>Item 8</b>				<b>84606 Receiver Kit – DS</b>			
34	84611	1	Receiver Pin Kit	35		1	Receiver – DS
<b>Item 9</b>				<b>84607 Receiver Kit – PS</b>			
34	84611	1	Receiver Pin Kit	36		1	Receiver – PS
<b>Item 10</b>				<b>85123 3/4 x 5 Clevis Pin Kit</b>			
37		1	1/8 Hairpin Cotter	38	95739	1	3/4 x 5 Clevis Pin HT
<b>Item 11</b>				<b>85198 1/2 x 2-7/8 Clevis Pin Kit</b>			
39		1	1/2 x 2-7/8 Clevis Pin	40		1	5/32 x 1-1/2 Cotter Pin
<b>Item 12</b>				<b>84778 Power Cable Clamp Loop Kit</b>			
31		1	1/4-20 Hex Locknut GB	42		1	#10 Clamp Loop
41		1	1/4-20 x 1 Hex Cap Screw G5				
<b>Item 15</b>				<b>84601 Link Arm/Jack Stand Pin Kit</b>			
40		1	5/32 x 1-1/2 Cotter Pin	44		1	1/2 Flat Washer Narrow SS
43		1	Stand Actuator Pin				
<b>Item 25</b>				<b>83633 Attach Handle Release Cam Kit</b>			
45		1	Compression Spring	47		1	Handle Lock Pin
46		1	3/16 x 1-3/8 Spring Pin SS	48		1	Handle Lock Pin Lever
<b>Item 26</b>				<b>83636 Torsion Spring/Spacer Kit</b>			
49		1	Handle Spring Spacer	51		1	3/8-16 Hex Locknut GB
50		1	3/8-16 x 2 Hex Cap Screw G5	52		1	Torsion Spring
<b>Item 34</b>				<b>84611 Receiver Pin Kit</b>			
38	95739	1	3/4 x 5 Clevis Pin HT	54	42142	1	R-Pin Cotter
53	63211	1	Spacer				
		SS = Stainless Steel				HT = Heat Treated	
						G = Grade	

# RDV™ HYDRAULIC AND ELECTRICAL COMPONENTS

## Hydraulic Unit



O-Ring Service Kits (not shown)	
52298-2	O-Ring Kit (does not contain O-rings for valves)
48310	Seal Kit, 2-Way Valves
48309	Seal Kit, 3-Way and 4-Way Valve
84909	Seal Kit, Size 10, 3-Way and 4-Way Valve

\* May not be present on units built before 7/1/2021.

\*\* Not present if item 25 is installed.

† Use 52252 tool for pump shaft seal replacement (includes 1 seal).

‡ Use 52251 tool for bearing sleeve replacement (includes 1 bearing).

# RDV™ HYDRAULIC AND ELECTRICAL COMPONENTS

<b>77440 Hydraulic Unit RDV V-Plow</b>							
(Also includes electrical components 4–7 from p. 15.)							
Item	Part	Qty	Description	Item	Part	Qty	Description
1	48278	1	Breather Pressure Control	14	84900	1	Valve, 4-Way SV10-43 w/Nut
2	52289	1	Reservoir Kit	15	84934	6	Check Valve CV08-2059
3		5	5/16-18 x 2-1/4 Hex Cap Screw G5	16	77391	2	PO Check Valve
4	52553	1	Pump Kit	17	52299	1	Motor Assembly 3"
5	73897	1	Magnet	18	52290	1	Motor Relay
6	77438	1	Primary Manifold, w/o Valves	19	52292-2	1	Plow Module
7	77439	1	Secondary Manifold, w/o Valves	20	52293-1	1	Module Plate w/Hardware
8		4	1/4-20 x 3-1/2 Hex Cap Screw G5	21	52295	1	Elbow, 90° –4 M ORB/–6 F ORB
9	52294	8	Coil w/Spade Terminals	22	44343	2	O-Ring -904
10	84901	1	Coil 10 w/Spacer	23	52296	1	Pressure Switch
11	84936	2	Valve, 2-Way NC w/Rev Flow	24	56569	1	O-Ring -906
12	84937	1	Valve, 4-Way 3-Pos. w/Nut & Spacer	25	83853	1	Pressure Switch (Scrape Maxx™ down-force feature)
13	52285	2	Valve, 4-Way 3-Position Closed Center w/Nut and Spacer				
<b>Item 2</b>				<b>52289 Reservoir Kit</b>			
26	66519	1	O-Ring 2-250	28		4	#10-24 x 5/16 Machine Screw
27		1	Reservoir	29	92079	1	Plug, Square 3/8 NPTF
<b>Item 4</b>				<b>52553 Pump Kit</b>			
26	66519	1	O-Ring 2-250	32	10887	1	Hydraulic Pump Inlet Fitting
30		1	Pump	33	48281	1	Suction Filter
31	56274	1	O-Ring -013				
<b>Item 6</b>				<b>77438 Primary Manifold w/o Valves</b>			
26	66519	1	O-Ring 2-250	38	44344	1	Plug, Hex Socket –4 M ORB
31	56274	1	O-Ring -013	39 <sup>†</sup>	56364	1	Sleeve Bearing
34		2	1/4-20 x 3/8 Hex Washer-Head Thread-Rolling Screw	40	48517	1	Quill
35		3	3/8-16 x 1 Serr. Flange Hex Cap Screw	41	52284	1	Relief Valve Repair Kit (1 set)
36 <sup>†</sup>	66515	1	Pump Shaft Seal	42	52282	1	Relief Valve Kit (1 set)
37	43818	2	O-Ring -109	43		2	1/4-20 x 5/8 Hex Washer-Head Thread-Rolling Screw
<b>Item 7</b>				<b>77439 Secondary Manifold w/o Valves</b>			
35		3	3/8-16 x 1 Serr. Flange Hex Cap Screw	38	44344	1	Plug, Hex Socket –4 M ORB
37	43818	2	O-Ring -109	44	52283	2	Relief Valve Kit (2 sets)
<b>Item 20</b>				<b>52293-1 Module Plate w/Hardware</b>			
34		2	1/4-20 x 3/8 Hex Washer-Head Thread-Rolling Screw	43		4	1/4-20 x 5/8 Hex Washer-Head Thread-Rolling Screw
<b>Item 38</b>				<b>44344 Plug, Hex Socket –4 M ORB</b>			
22	44343	1	O-Ring -904				
<b>Item 40</b>				<b>48517 Quill</b>			
45	48239	1	O-Ring -106	46	48240	1	Back-Up Ring -106
<b>Item 44</b>				<b>52283 Relief Valve Kit (2 sets)</b>			
47	55371	2	O-Ring -008	48	25731	2	O-Ring -010
F = Female			M = Male			G = Grade	

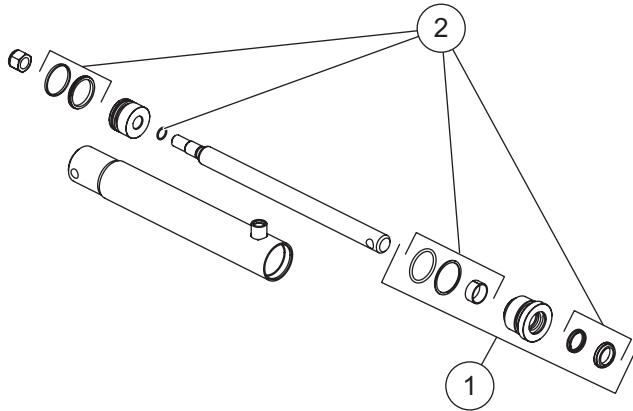
<sup>†</sup> Use 52252 tool for pump shaft seal replacement (includes 1 seal).

<sup>‡</sup> Use 52251 tool for bearing sleeve replacement (includes 1 bearing).

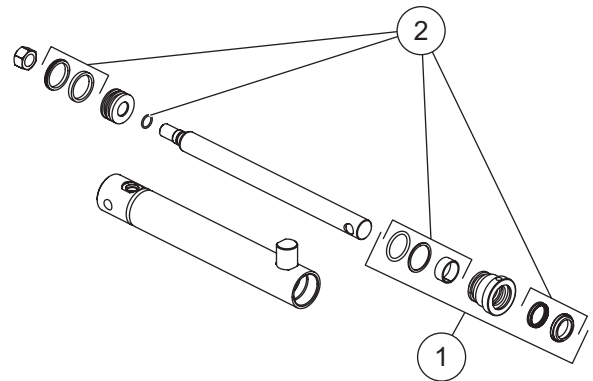
Go to [www.snowexproducts.com](http://www.snowexproducts.com) for hydraulic unit service information and specifications.

# RDV™ HYDRAULIC AND ELECTRICAL COMPONENTS

## Lift and Angle Ram Components

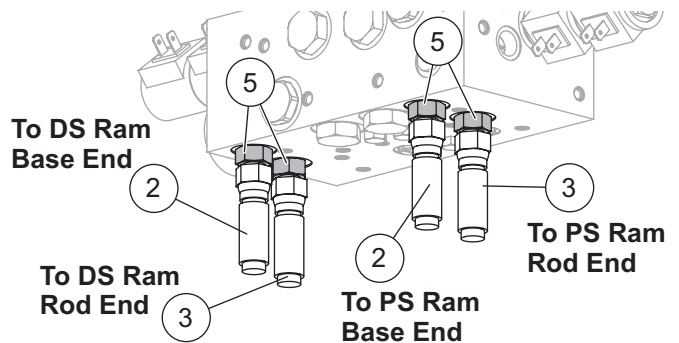
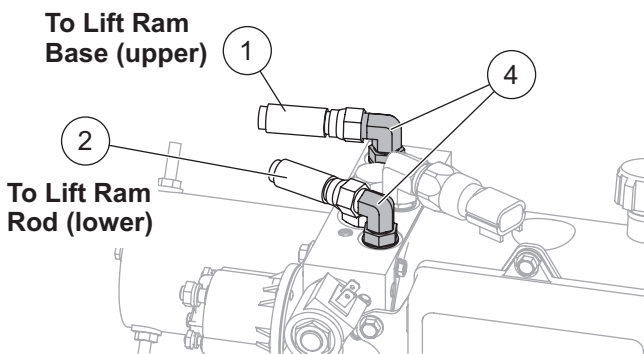
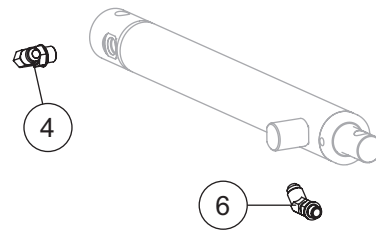
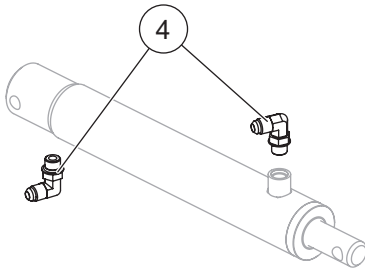


77425 Lift Ram Assembly 1-3/4 x 9 DA			
Item	Part	Qty	Description
1	77434	1	Gland Assembly 1"
2	77435	1	Seal Kit 1-3/4 DA Ram



77428 Wing Ram Assembly 1-1/2 x 12 DA			
Item	Part	Qty	Description
1	52558	1	Gland Assembly 1"
2	52557	1	Seal Kit 1-1/2 DA Ram

## Hoses and Fittings



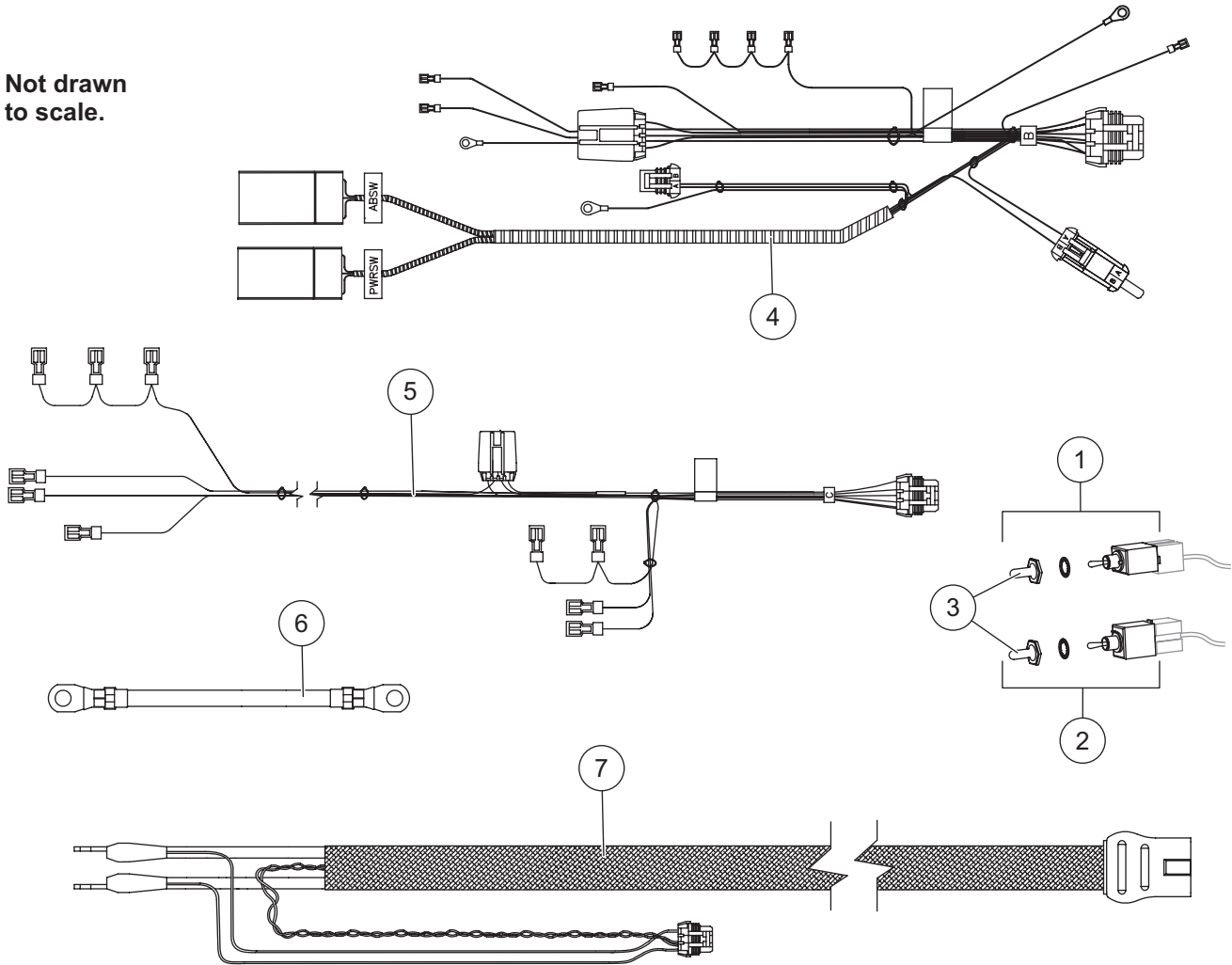
Hoses and Fittings							
Item	Part	Qty	Description	Item	Part	Qty	Description
1	84446	1	Hose, 1/4 x 14 w/F JIC Ends	5	B60007	4	Connector –6 M JIC/–6 M ORB
2	77436	3	Hose, 1/4 x 26 w/F JIC Ends	6	41093	2	Elbow, 45° –6 M JIC/–4 M ORB
3	77437	2	Hose, 1/4 x 30 w/F JIC Ends	ns	56823	2	Hose Wrap
4	56615-1	6	Elbow, 90° –6 M JIC/–6 M ORB				

ns = not shown      F = Female      M = Male

# RDV™ HYDRAULIC AND ELECTRICAL COMPONENTS

## Electrical Components

Not drawn to scale.

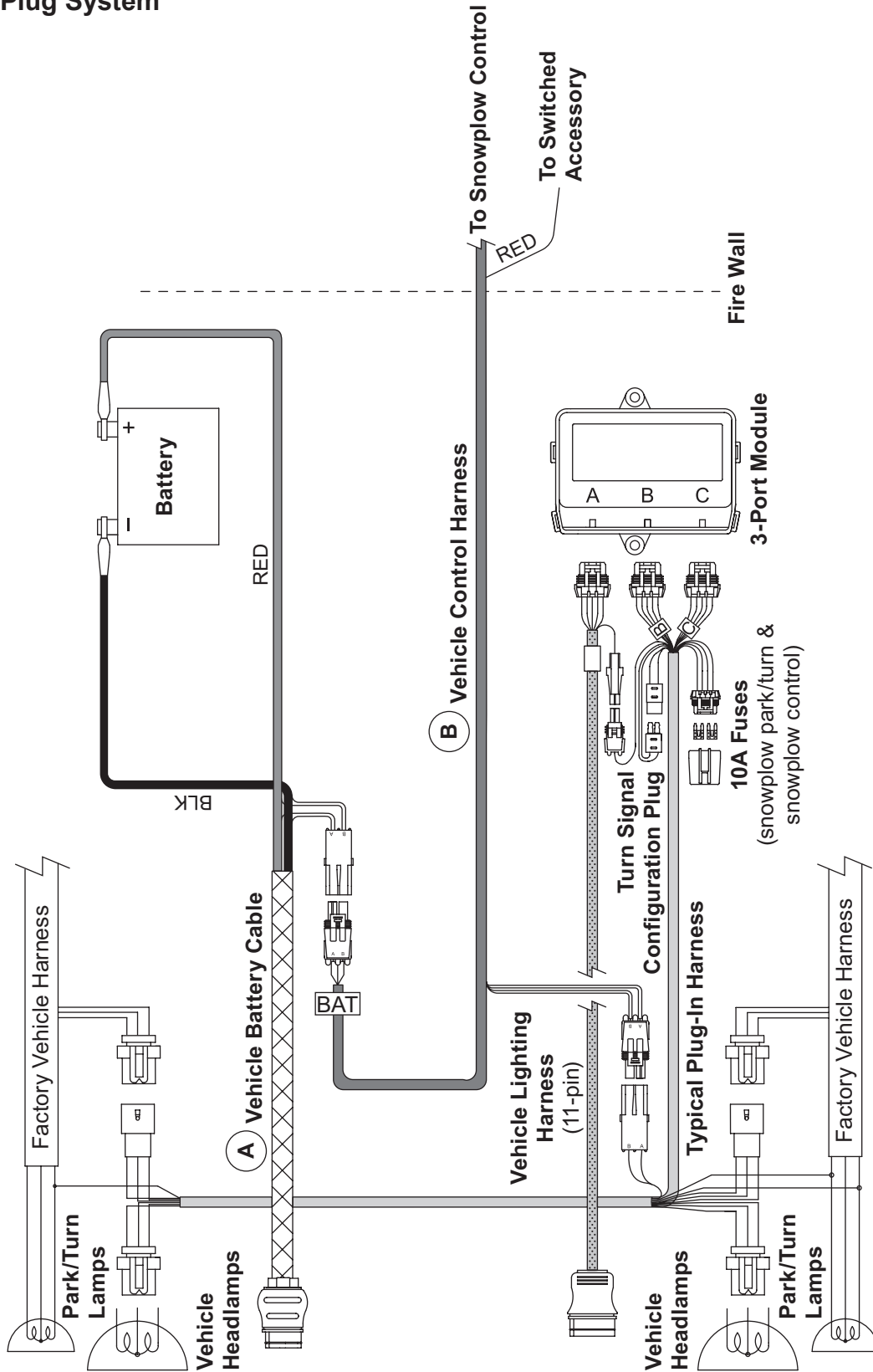


Plow-Side Electrical Components						
Item	Part	Qty	Description	Item	Part	Qty Description
1	40575	1	Toggle Switch (MOM-ON, OFF, ON)	6	29071	1 Cable Assembly 8"
2	40576	1	Toggle Switch (MOM-ON, OFF, MOM-ON)	7	52291	1 Plow Battery Cable
3	48259	2	Switch Boot	ns		2 Fuse, 5A Mini Automotive-Style (for item 4)
4	70448	1	Harness Plow Control, 4-Coil	ns		2 Fuse, 4A Mini Automotive-Style (for item 5)
5	72038	1	Harness Plow Control, 5-Coil			
Vehicle-Side Electrical Components						
A*	72527	1	Vehicle Battery Cable	ns	48325	2 Plug Cover
B*	28587	1	Vehicle Control Harness			
ns = not shown						

\* For diagram see Vehicle-Side Harness Diagram on next page.

# VEHICLE-SIDE WIRING DIAGRAM

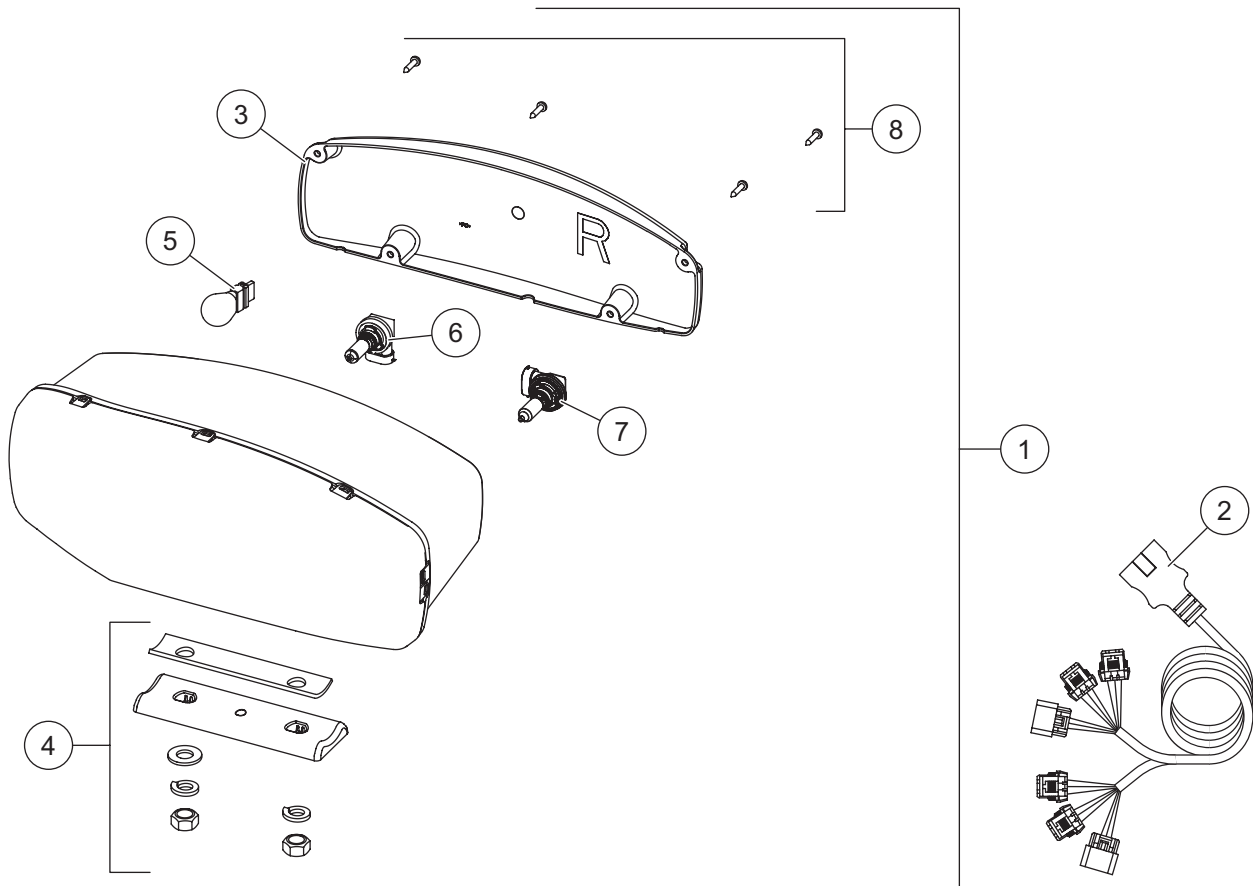
## Vehicle-Side Harness Diagram 3-Port, 2-Plug System





# HEADLAMP KITS

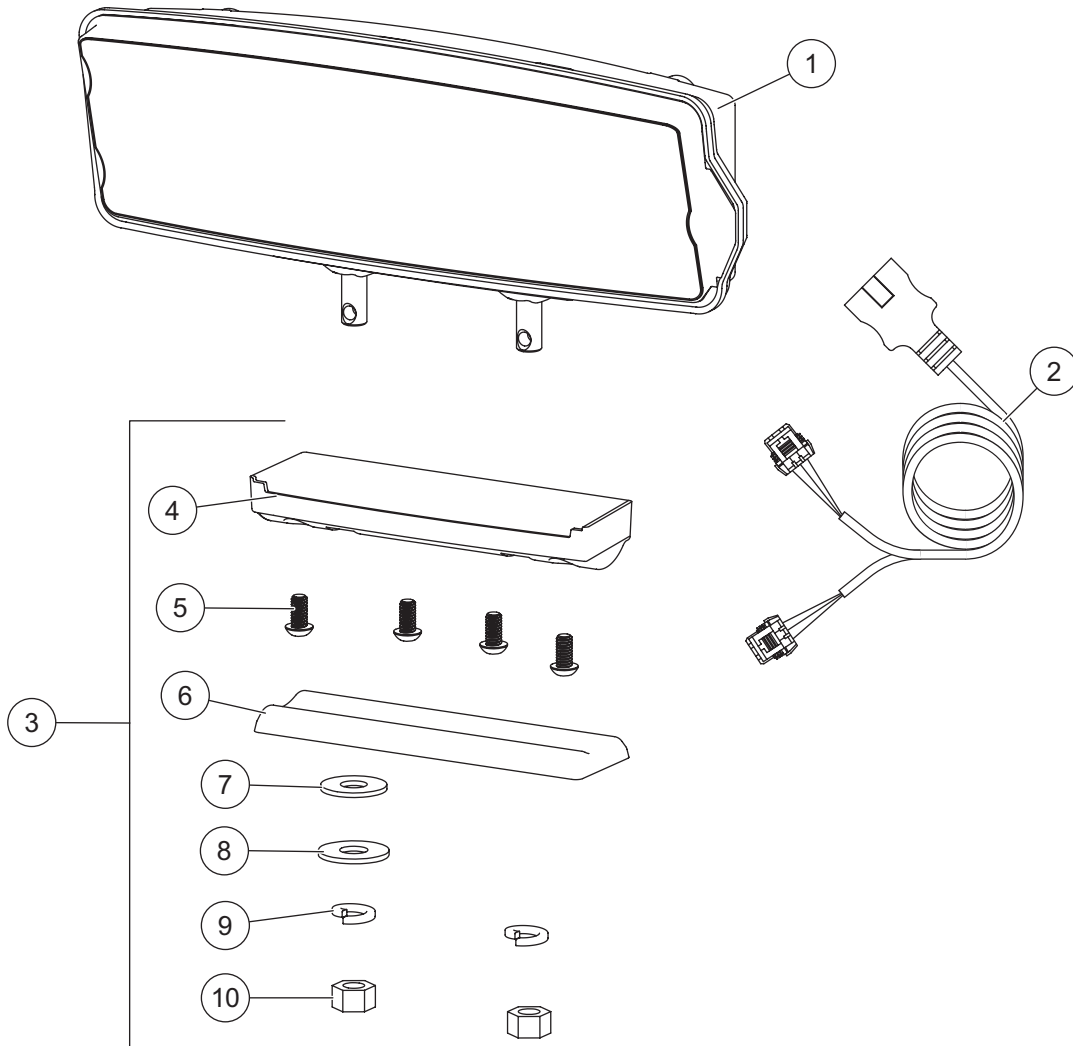
## Headlamp Kit – Halogen



38800 Headlamp Kit H9/H11 (pair)							
Item	Part	Qty	Description	Item	Part	Qty	Description
1	38802	1	Headlamp Service Kit H9/H11 – PS	2	38807	1	Harness Service Kit H9/H11
ns	38801	1	Headlamp Service Kit H9/H11 – DS				
<b>Item 1</b>	<b>38801/38802 Headlamp Service Kit H9/H11 – PS/DS</b>						
3	38803	1	Rear Cover Kit H9/H11 – PS	6	38811	1	Headlamp Bulb Service Kit H11
ns	38812	1	Rear Cover Kit H9/H11 – DS	7	38809	1	Headlamp Bulb Service Kit H9
4	38804	1	Mounting Hardware Kit H9/H11	8	38808	1	Cover Screws Service Kit H9/H11 (pkg of 4)
5		1	Park/Turn Bulb (trade no. 4157NAK)				
ns = not shown							

# HEADLAMP KITS

## Headlamp Kit – LED



72525 Headlamp Kit LED							
Item	Part	Qty	Description	Item	Part	Qty	Description
1	39901	1	Headlamp Service Kit LED – DS	3	39903	1	Mounting Hardware Kit LED
ns	39902	1	Headlamp Service Kit LED – PS	ns	72512	1	LED Harness Connector Cover (pkg of 2)
2	72548	1	Harness Service Kit LED				
Item 3				39903 Mounting Hardware Kit LED			
4		1	Plastic Casing	8		1	1/2 Flat Washer
5		4	1/4 Button Cap Screw	9		2	1/2 Lock Washer
6		1	Headlamp Swivel	10		2	1/2 Hex Nut
7		1	1/2 Rubber Washer	ns		1	Metal Insert
ns = not shown							





TrynEx International, LLC  
531 Ajax Drive  
Madison Heights, MI 48071-2429  
[www.snowexproducts.com](http://www.snowexproducts.com)

 A DIVISION OF DOUGLAS DYNAMICS, LLC

Copyright © 2021 Douglas Dynamics, LLC. All rights reserved. This material may not be reproduced or copied, in whole or in part, in any printed, mechanical, electronic, film, or other distribution and storage media, without the written consent of TrynEx International, LLC. Authorization to photocopy items for internal or personal use by TrynEx International outlets or snowplow owner is granted.

TrynEx International reserves the right under its product improvement policy to change construction or design details and furnish equipment when so altered without reference to illustrations or specifications used. TrynEx International or the vehicle manufacturer may require or recommend optional equipment for snow removal. Do not exceed vehicle ratings with a snowplow. TrynEx International offers a limited warranty for all snowplows and accessories. See separately printed page for this important information. The following are registered (®) or unregistered (™) trademarks of Douglas Dynamics, LLC: Automatix®, RDV™, Scrape Maxx™, SECURITY GUARD™, SnowEx®.

**Printed in U.S.A.**