



**MD UTV Straight Blade
Winch Lift Manual Angle Snowplow**

Blade Assemblies 74365, 74872

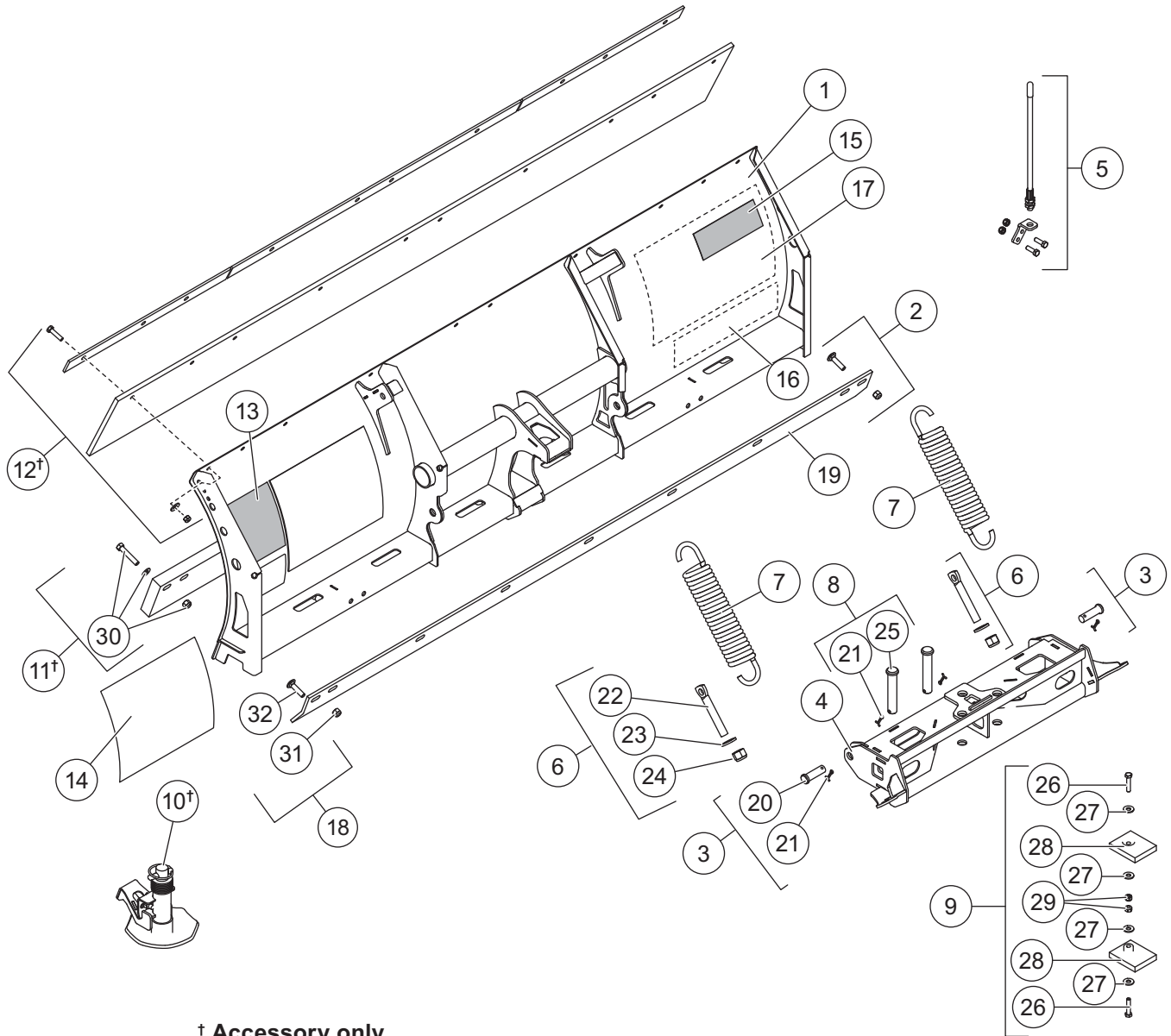
Winch Lit/Manual Angle Attachment 87315

Parts List and Accessories



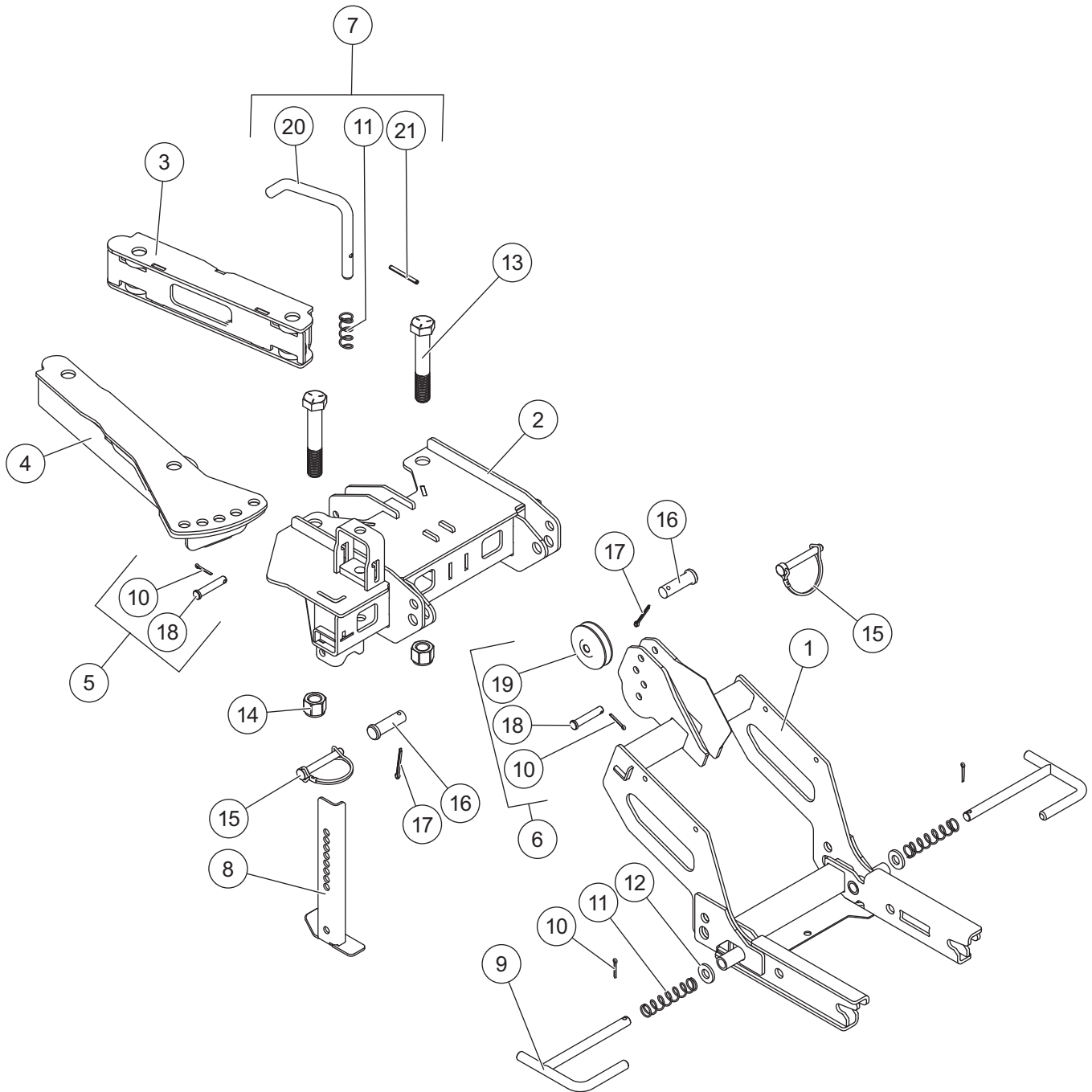
IMPACT™ MD UTV STRAIGHT BLADE 74365

Blade Components and Accessories



IMPACT™ MANUAL BLADE LIFT FRAME & ANGLE FRAME

Lift Frame and Angle Frame Components



IMPACT™ MANUAL BLADE LIFT FRAME & ANGLE FRAME

87315 Lift Frame and Angle Frame Components							
Item	Part	Qty	Description	Item	Part	Qty	Description
1	81953	1	Lift Frame – Winch	10		2	1/8 x 1 Cotter Pin
2	81952	1	Angle Frame Assembly	11	27461	2	Compression Spring
3	74304	1	Swing Link Assembly	12		2	1/2 Flat Washer, Hardened Type I
4	81951	1	Drive Link	13		2	3/4-10 x 4-1/2 Hex Cap Screw G5
5	81956	1	Clevis Pin Kit	14		2	3/4-10 Hex Locknut GB
6	81955	1	Pulley Kit	15	77650	2	Wire-Lock Clevis Pin, 3/8
7	81954	1	Locking Pin Assembly	16	50601	2	5/8 x 2 Clevis Pin
8	81968	1	Jack Leg	17		2	5/32 x 1-1/2 Cotter Pin
9	72971	2	Hitch Pin				
Item 5				81956 Clevis Pin Kit			
10		1	1/8 x 1 Cotter Pin	18	67147	1	3/8 x 2 Clevis Pin HT G5
Item 6				81955 Pulley Kit			
10		1	1/8 x 1 Cotter Pin	19	92258	1	Sheave, 2.5 OD
18	67147	1	3/8 x 2 Clevis Pin HT G5				
Item 7				81954 Locking Pin Assembly			
11	27461	1	Compression Spring	21	92297	1	3/16 x 2 Spring Pin
20	92196	1	Hitch Pin				
		ns = not shown		HT = Heat Treated		G = Grade	



Western Products
PO Box 245038
Milwaukee, WI 53224-9538
www.westernplows.com

 A DIVISION OF DOUGLAS DYNAMICS, LLC

Copyright © 2021 Douglas Dynamics, LLC. All rights reserved. This material may not be reproduced or copied, in whole or in part, in any printed, mechanical, electronic, film, or other distribution and storage media, without the written consent of Western Products. Authorization to photocopy items for internal or personal use by Western Products outlets or snowplow owner is granted.

Western Products reserves the right under its product improvement policy to change construction or design details and furnish equipment when so altered without reference to illustrations or specifications used. Western Products or the vehicle manufacturer may require or recommend optional equipment for snow removal. Do not exceed vehicle ratings with a snowplow. Western Products offers a limited warranty for all snowplows and accessories. See separately printed page for this important information. The following are registered (®) or unregistered (™) trademarks of Douglas Dynamics, LLC: IMPACT™, ULTRAFINISH™, WESTERN®.

Printed in U.S.A.