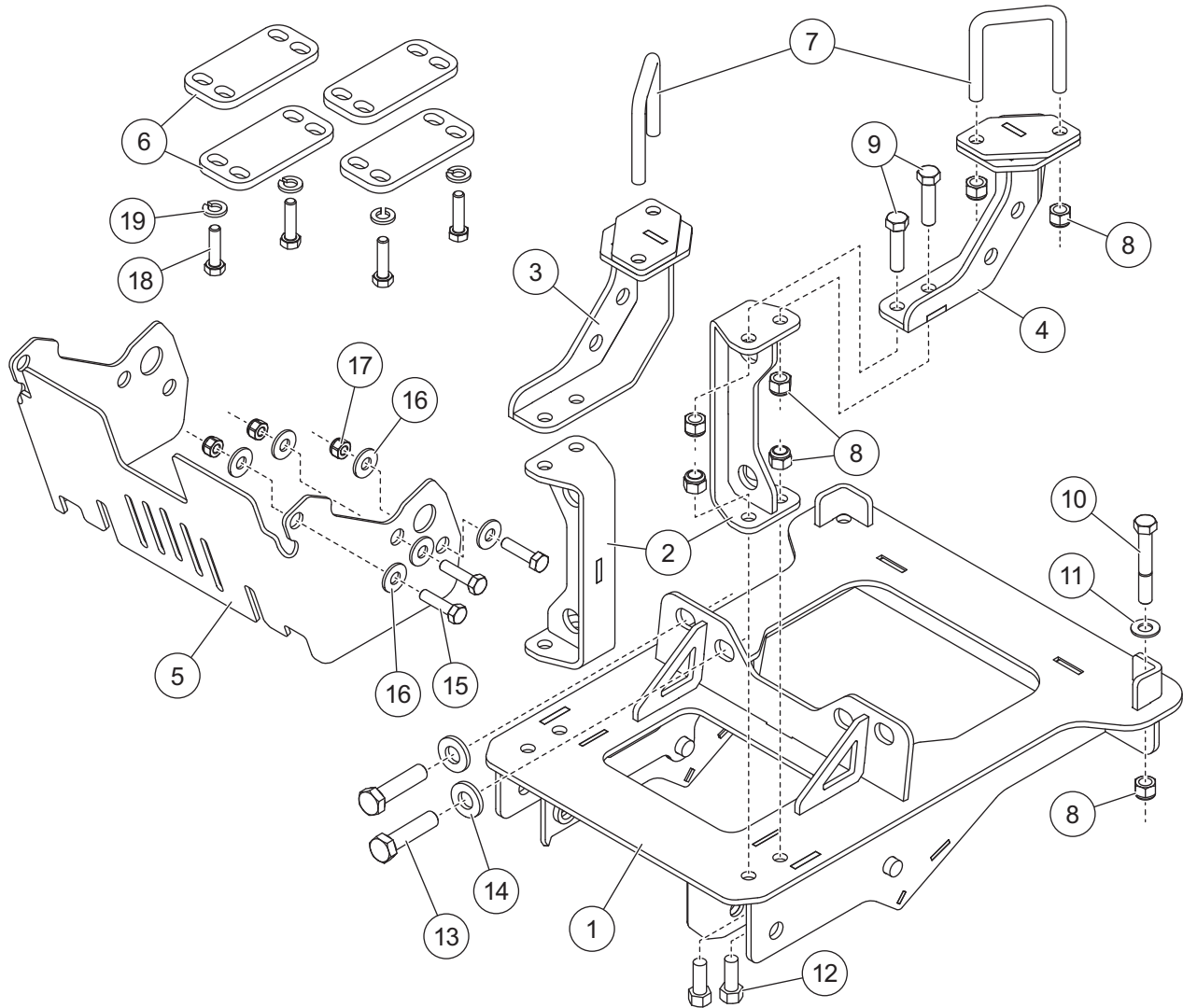


January 15, 2021  
 Lit. No. 74298, Rev. 01

**PARTS LIST**



35200 Mount Kit							
Item	Part	Qty	Description	Item	Part	Qty	Description
1	74290	1	Mount	5	74306	1	Cover Plate
2	74291	2	Bracket	6	74294	4	Winch Spacer
3	74293	1	Mount Bracket – DS	ns	74295	1	Bolt Bag
4	74292	1	Mount Bracket – PS				
74295 Bolt Bag							
7		2	3/8-16 x 2 x 2-1/2 U-Bolt	14		4	1/2 Flat Washer Hardened
8		14	3/8-16 Hex Locknut GB	15		6	5/16-18 x 1-1/4 Hex Cap Screw G5
9		4	3/8-16 x 1-1/2 Hex Cap Screw G5	16		12	5/16 Flat Washer Type A
10		2	3/8-16 x 2-1/2 Hex Cap Screw G8	17		6	5/16-18 Hex Locknut GB
11		2	3/8 Flat Washer Narrow	18		4	M8-1.25 x 40 Hex Cap Screw G8.8
12		4	3/8-16 x 1 Hex Cap Screw G5	19		4	M8 Spring Lock Washer
13		4	M12-1.25 x 30 Hex Cap Screw G8.8				
			ns = not shown			M = Metric	
						G = Grade	

Copyright © 2021 Douglas Dynamics, LLC. All rights reserved. This material may not be reproduced or copied, in whole or in part, in any printed, mechanical, electronic, film, or other distribution and storage media, without the written consent of the company. Authorization to photocopy items for internal or personal use by the company's outlets or snowplow owner is granted.

The company reserves the right under its product improvement policy to change construction or design details and furnish equipment when so altered without reference to illustrations or specifications used. This equipment manufacturer or the vehicle manufacturer may require or recommend optional equipment for snow removal. Do not exceed vehicle ratings with a snowplow. The company offers a limited warranty for all snowplows and accessories. See separately printed page for this important information.

**Printed in U.S.A.**

---