



Western Products  
 PO Box 245038  
 Milwaukee, WI 53224-9538  
 www.westernplows.com

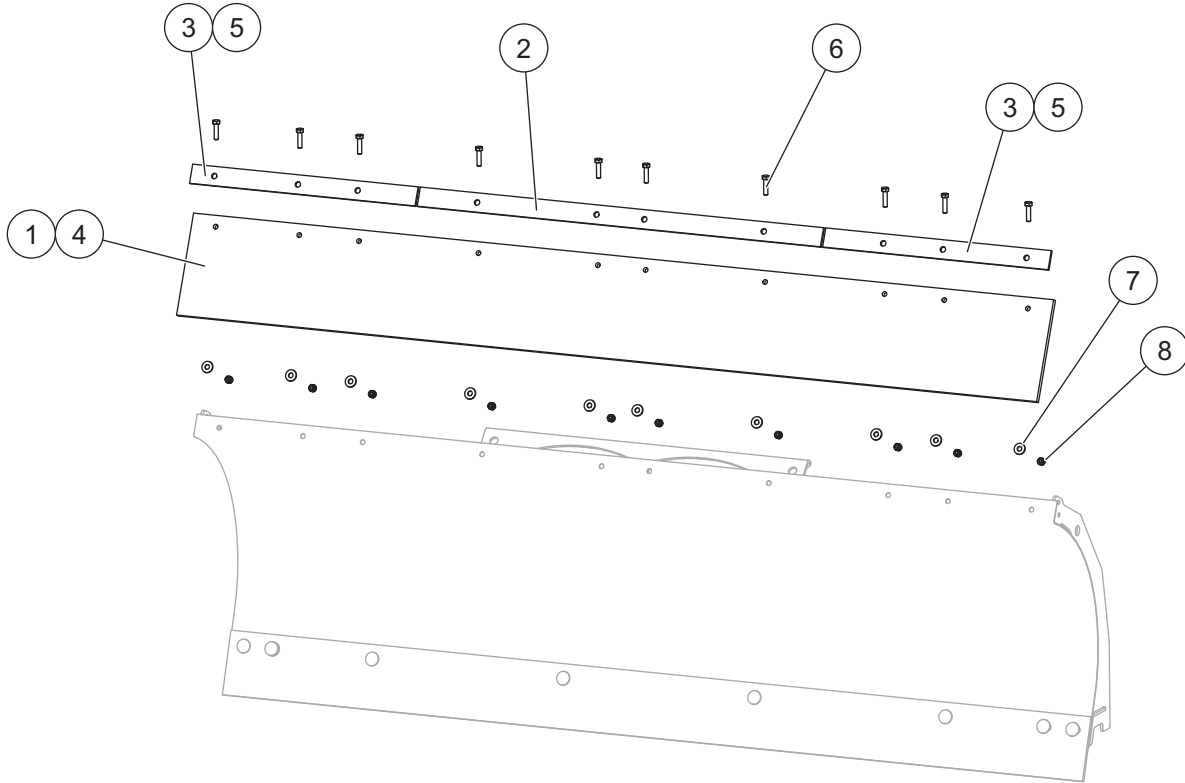
**A DIVISION OF DOUGLAS DYNAMICS, LLC**

**84986, 91240 – IMPACT™ UTV  
 Straight Blade Snowplows**

**RUBBER DEFLECTOR KIT**

**Parts List & Installation Instructions**

**PARTS LIST**



84986 IMPACT UTV Straight Blade Rubber Deflector Kit – 6'							
Item	Part	Qty	Description	Item	Part	Qty	Description
1	83208	1	UTV Rubber Deflector – 6'	3	83205	2	Retainer Bar, Outside – 6'
2	84542	1	Retainer Bar, Center	ns	83644	1	Bolt Bag
91240 IMPACT Sport UTV Straight Blade Rubber Deflector Kit – 5'6"							
2	84542	1	Retainer Bar, Center	5	91255	2	Retainer Bar, Outside – 5'6"
4	72962	1	UTV Rubber Deflector – 5'6"	ns	83644	1	Bolt Bag
83644 Bolt Bag							
6		10	5/16-18 x 1-1/4 Hex Cap Screw G5	8		10	5/16-18 Hex Locknut GB
7		10	5/16 Flat Washer Type A Wide				
ns = not shown				G = Grade			

# RUBBER DEFLECTOR KIT

## INSTALLATION INSTRUCTIONS

### ⚠ WARNING

Do not exceed GVWR or GAWR, including blade and ballast.

### ⚠ CAUTION

Read this document before installing the rubber deflector kit.

### ⚠ CAUTION

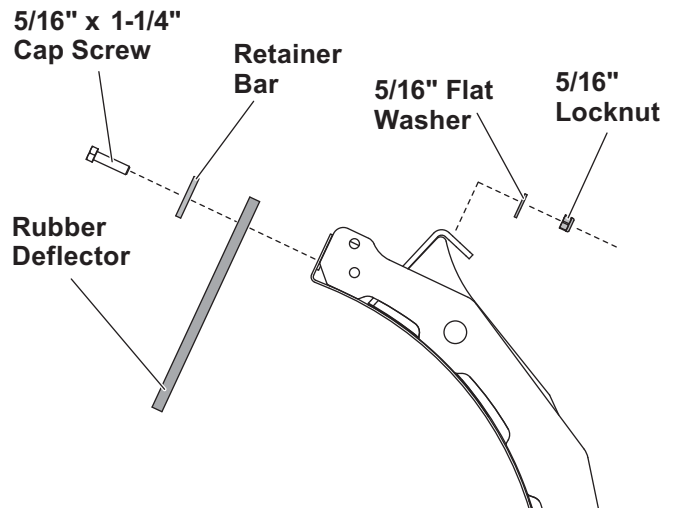
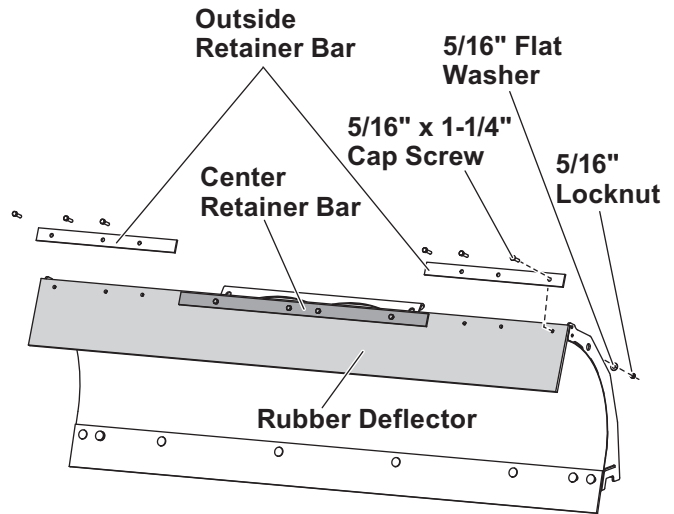
Use standard methods and practices when attaching snowplow and installing accessories, including proper personal protective safety equipment.

### ⚠ CAUTION

See your WESTERN® outlet/website for specific vehicle application recommendations before installation. The Quick Match selection system has specific vehicle and snowplow requirements.

1. Park the vehicle on a smooth, level, hard surface, such as concrete. Lower the blade to the ground, and turn the control OFF. Disconnect the snowplow from the vehicle, or turn the vehicle ignition to the "OFF" position and remove the key.
2. Align the deflector on the blade, matching up the holes in the deflector with the holes in the moldboard.

3. Place the center retainer bar on top of the deflector, matching up the four holes in the retainer bar with the four holes on the deflector. Install the center retainer bar using one 5/16" x 1-1/4" cap screw, one 5/16" washer, and one 5/16" locknut for each hole, as shown below. Torque fasteners to 17 ft-lb.



4. Repeat Steps 2 and 3 to install the outside retainer bars.

Copyright © 2020 Douglas Dynamics, LLC. All rights reserved. This material may not be reproduced or copied, in whole or in part, in any printed, mechanical, electronic, film or other distribution and storage media, without the written consent of Western Products. Authorization to photocopy items for internal or personal use by Western Products outlets or snowplow owner is granted.

Western Products reserves the right under its product improvement policy to change construction or design details and furnish equipment when so altered without reference to illustrations or specifications used. Western Products or the vehicle manufacturer may require or recommend optional equipment for snow removal. Do not exceed vehicle ratings with a snowplow. Western Products offers a limited warranty for all snowplows and accessories. See separately printed page for this important information. The following are registered (®) or unregistered (™) trademarks of Douglas Dynamics, LLC: IMPACT™, WESTERN®.

Printed in U.S.A.